




**SPECIFICATION SHEET**

|                                |  |
|--------------------------------|--|
| <b>SPECIFICATION SHEET NO.</b> | Q1019-SA315M0000S001   |
| <b>DATE</b>                    | Oct. 19, 2023  |
| <b>REVISION</b>                | A3   |
| <b>DESCRIPTION</b>             | SMD SAW Resonator L5.0*W5.0*H1.5mm 5050 Type 8 Pads S3 Series<br>315.000MHz, Insertion Loss: 2.0 dB Max.<br>Tolerance: +/-75KHz<br>Operating Temp. Range -40°C ~+85°C<br>Reflow Profile Condition 260 °C Max. Tape/Reel, 1000pcs/Reel<br>RoHS/RoHS III compliant |
| <b>CUSTOMER</b>                |  |
| <b>CUSTOMER PART NUMBER</b>    |  |
| <b>CROSS REF. PART NUMBER</b>  |  |
| <b>ORIGINAL PART NUMBER</b>    | TGS SR 315.0MA S3 TLF  |
| <b>PART CODE</b>               | SA315M0000S001   |

|                         |   |  |   |
|-------------------------|---|--|---|
| <b>VENDOR APPROVE</b>   |   |  |   |
| Issued/Checked/Approved |  |  |  |
| DATE: Oct. 19, 2023     |   |  |   |

|                         |  |
|-------------------------|--|
| <b>CUSTOMER APPROVE</b> |  |
|                         |  |
| DATE:                   |  |

10/19/2023

**SMD SAW RESONATOR 5050 TYPE S3 SERIES**

**MAIN FEATURE**

- SMD SAW Resonator L5.0\*W5.0\*H1.5mm 5050 Type 8 Pads
- Package Code QCC8C
- One Port SAW Resonator
- Electrostatic Sensitive Device (ESD)
- Low-loss and Short Lead time
- Cross more competitors part
- RoHS/RoHS III compliant



**APPLICATION**

- Bluetooth, wireless communication set
- Communication Electronics

**RFQ**  
Request For Quotation

**PART CODE GUIDE**

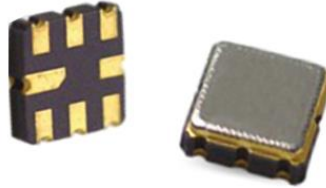
|           |                 |          |            |
|-----------|-----------------|----------|------------|
| <b>SA</b> | <b>315M0000</b> | <b>S</b> | <b>001</b> |
| 1         | 2               | 3        | 4          |

- 1) SA: Part family Code for SMD SAW Resonator 5050 Type L5.0\*W5.0\*H1.5mm 8 Pads S3 Series
- 2) 315M0000: Frequency range code for 315.000MHz
- 3) S: SMD type, Package Tape/Reel, 1000pcs/Reel
- 4) 001: Specification code for original part No.: **TGS SR 315.0MA S3 TLF**

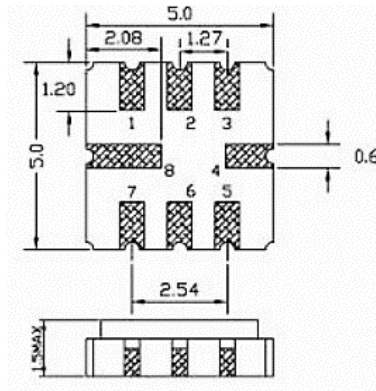
**SMD SAW RESONATOR 5050 TYPE S3 SERIES**

**DIMENSION (Unit: mm)**

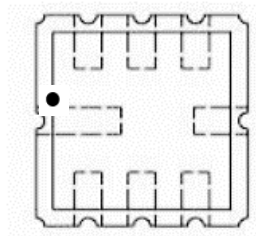
Image for reference



**S3 series,**  
 Package Code QCC8C  
 L5.0\*W5.0\*H1.5mm  
 5050 Type



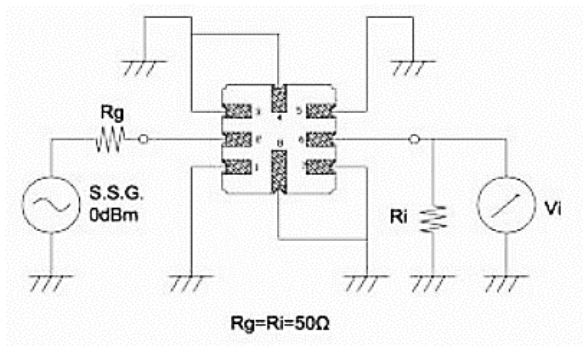
| Pin        | Configuration  |
|------------|----------------|
| 2          | Input          |
| 6          | Output         |
| 1, 3, 5, 7 | To be Grounded |
| 4, 8       | Case Ground    |



**Marking:**

Standard + ● : Pin 1

**Test Circuit**



**SMD SAW RESONATOR 5050 TYPE S3 SERIES**
**ELECTRICAL PARAMETERS**

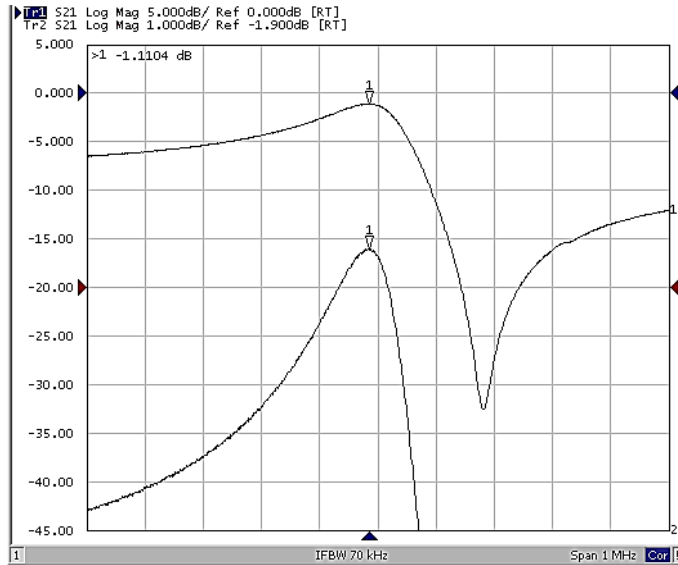
| Parameter                          |                                   | Part No. Symbol | Units                   | Value                                 |         |      |
|------------------------------------|-----------------------------------|-----------------|-------------------------|---------------------------------------|---------|------|
|                                    |                                   |                 |                         | Min.                                  | Typical | Max. |
| Original Manufacturer              |                                   | TGS             | TGS Crystals            |                                       |         |      |
| Holder Type                        |                                   | SR              | SAW Resonator           |                                       |         |      |
| Frequency Range (f0)               |                                   | 315.0M          | MHz                     | 315.0000                              |         |      |
| Frequency Tolerance                |                                   | A               | KHz                     | -75                                   |         | +75  |
| Operation Temperature              |                                   |                 | °C                      | -40                                   |         | +85  |
| Storage Temperature                |                                   |                 | °C                      | -40                                   |         | +85  |
| DC Voltage (between any Terminals) |                                   |                 | V                       |                                       | 5.0     |      |
| RF Power (in BW)                   |                                   |                 | dBm                     |                                       | 0       |      |
| ESD Voltage (HB)                   |                                   |                 | V                       |                                       | 400     |      |
| Insertion Loss                     |                                   |                 | dB                      |                                       | 1.4     | 2.2  |
| Quality Factor (Q)                 | Unload                            |                 |                         | 8000                                  | 12800   |      |
|                                    | 50 Ω Loaded                       |                 |                         | 1000                                  | 2000    |      |
| Temperature Stability              | Turnover Temperature              |                 | °C                      | 10                                    | 25      | 40   |
|                                    | Frequency Temperature Coefficient |                 | ppm/°C                  |                                       | 0.032   |      |
| Aging                              |                                   |                 | ppm/Year                |                                       | ≤±10    |      |
| DC Insulation Resistance           |                                   |                 | MΩ                      | 1.0                                   |         |      |
| Transduce Static Capacitance       |                                   |                 | pF                      |                                       | 2.13    |      |
| Hold Type                          |                                   | S3              |                         | 5050 Type 8 Pads<br>L5.0*W5.0*H1.35mm |         |      |
| Other                              | Package                           | T               | Tape/Reel, 1000pcs/Reel |                                       |         |      |
|                                    | RoHS Status                       | LF              | RoHS III compliant      |                                       |         |      |
|                                    | Add Value                         |                 | Blank: N/A              |                                       |         |      |
|                                    | Internal Control Code             |                 | Blank: N/A              |                                       |         |      |

Note:

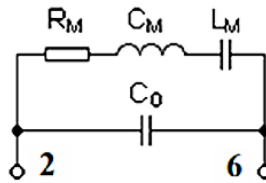
Original Part Number: TGS SR 315.0MA S3 TLF

**SMD SAW RESONATOR 5050 TYPE S3 SERIES**

**FREQUENCY RESPONSE**

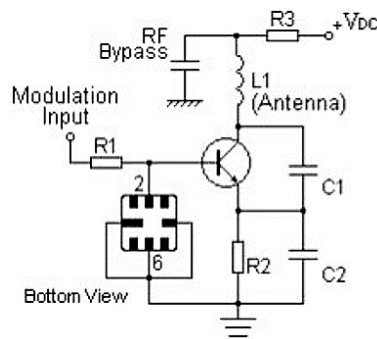


**EQUIVALENT LC MODEL**

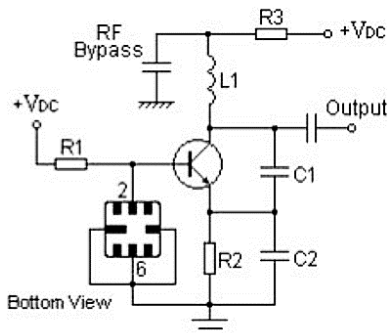


**PLICTYPICAL APATION CIRCUITS**

Typical Low-power Transmitter Application



Typical Local Oscillator Application

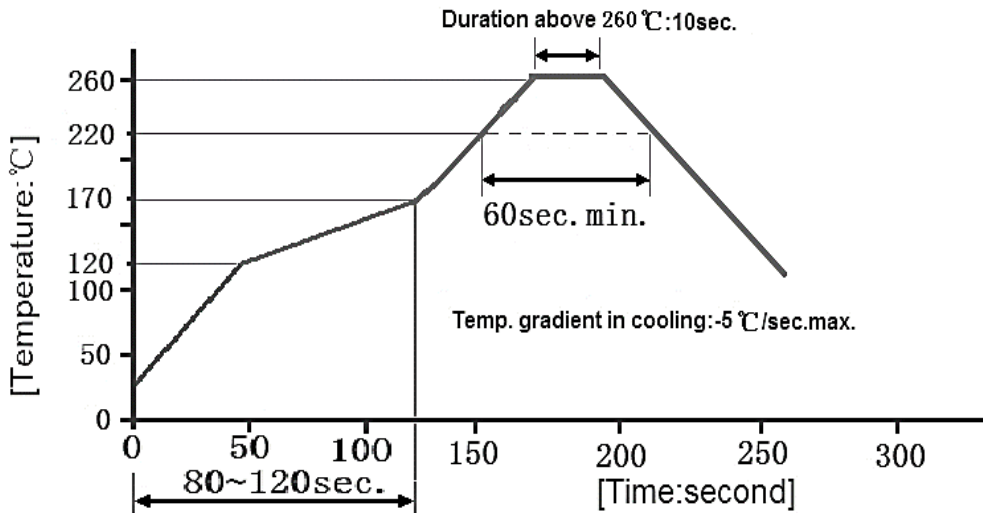


**SMD SAW RESONATOR 5050 TYPE S3 SERIES**

**RELIABILITY**

| Test Items                          | Test Method And Conditions  | Requirement  |
|-------------------------------------|---|--|
| <b>Temperature Storage</b>          | (1) Temperature: 85°C±2°C , Duration: 250h , Recovery time: 2h±0.5h<br>(2) Temperature: -55°C±3°C , Duration: 250h ,Recovery time: 2h±0.5h                                | It shall remain electrical performance after tests |
| <b>Humidity Test</b>                | Conditions: 60°C±2°C , 90~95% RH      Duration: 250h  |  |
| <b>Thermal Shock</b>                | Heat cycle conditions: TA=-55°C±3°C, TB=85°C±2°C, t1=t2=30min,<br>Switch time: ≤3min, Cycle time: 100 times, Recovery time: 2h±0.5h.                                      |  |
| <b>Vibration Fatigue</b>            | Frequency of vibration: 10~55Hz      Amplitude:1.5mm<br>Directions: X,Y and Z      Duration: 2h   |  |
| <b>Drop Test</b>                    | Cycle time: 10 times      Height: 1.0m  |  |
| <b>Solderability</b>                | Temperature: 245°C±5°C      Duration: 3.0s--5.0s<br>Depth: DIP--2/3 , SMD--1/5  |  |
| <b>Resistance to Soldering Heat</b> | (1)Thickness of PCB:1mm , Solder condition: 260°C±5°C ,<br>Duration: 10±1s<br>(2)Temperature of Soldering Iron: 350°C±10°C , Duration: 3~4s ,<br>Recovery time : 2 ± 0.5h |  |

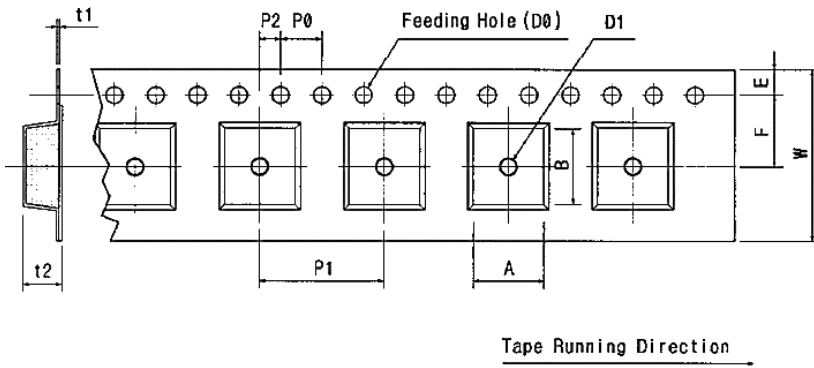
**SUGGESTED REFLOW PROFILE (For Reference Only)**



Reflow cycles: 3 cycles max.

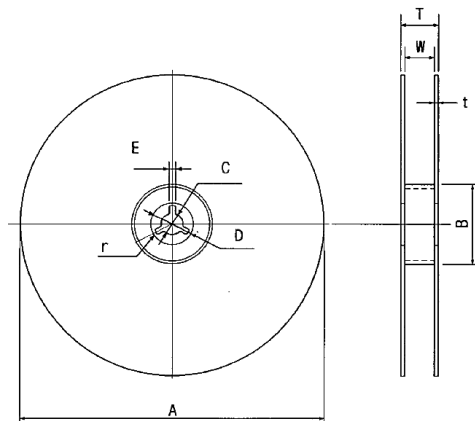
**SMD SAW RESONATOR 5050 TYPE S3 SERIES**

**REEL DIMENSION (Unit: mm, 1000pcs/Reel)**



| Code | Dimension                |
|------|--------------------------|
| W    | 12.0+/-0.30              |
| F    | 5.50+/-0.05              |
| E    | 1.75+/-0.10              |
| P 0  | 4.00+/-0.10              |
| P 1  | 8.00+/-0.10              |
| P 2  | 2.00+/-0.05              |
| D 0  | $\varnothing 1.5+/-0.10$ |
| D 1  | $\varnothing 1.0+/-0.25$ |
| t 1  | 0.30+/-0.05              |
| t 2  | 2.10+/-0.10              |
| A    | 6.40+/-0.10              |
| B    | 5.20+/-0.10              |

**TAPE DIMENSION (Unit: mm)**



| Code | Dimension                |
|------|--------------------------|
| A    | $\varnothing 330+/-1.0$  |
| B    | $\varnothing 100+/-0.5$  |
| C    | $\varnothing 13.0+/-0.5$ |
| D    | $\varnothing 21+/-0.8$   |
| E    | 2.00+/-0.5               |
| W    | 13.0+/-0.30              |
| t    | 3.00 Max.                |
| r    | 1.00 Max.                |

## SMD SAW RESONATOR 5050 TYPE S3 SERIES

### CAUTION

1. As a result of the particularity of inner structure of SAW products, it easy to be breakdown by electrostatic, so we should pay attention to ESD protect in the test.
2. Static voltage between signal load and ground may cause deterioration and destruction of the component. Please avoid static voltage.
3. Ultrasonic cleaning may cause deterioration and destruction of the component. Please avoid ultrasonic cleaning.
4. Only leads of component may be soldered. Please avoid soldering another part of component.
5. There is a close relationship between the device's performance and matching network. The specifications of this device are based on the test circuit shown above. L and C values may change depending on board layout. Values shown are intended as a guide only.
6. The temperature of manual welding should not exceed 300 °C.
7. The specifications of this device are based on the test circuit shown above and subject to change or obsolescence without notice.
8. All equipment designs utilizing this product must be approved by the appropriate government agency prior to manufacture or sale.
9. Our liability is only assumed for the Surface Acoustic Wave (SAW) component(s) perse, not for applications, processes and circuits implemented within components or assemblies.
10. For questions on technology, prices and delivery, please contact our sales offices or e-mail: [sales@NextGenComponent.com](mailto:sales@NextGenComponent.com).

### DISCLAIMER

NextGen Components, Inc. reserves the right to make changes to the product(s) and or information contained herein without notice. No liability is assumed as a result of their use or application. No rights under any patent accompany the sale of any such product(s) or information

10/19/2023