




**SPECIFICATION SHEET**

<b>SPECIFICATION SHEET NO.</b>	R0605- SD103BWS00S030	
<b>DATE</b>	June 5, 2024	
<b>REVISION</b>	A2	Updated With Most Recent Data
<b>DESCRIPTION AND MAIN PARAMETRICS</b>	<p>SMD Schottky Diodes 2 Pads, Case SOD-323</p> <p>SD103 Series, Repetitive Peak Reverse Voltage 30V Max.</p> <p>Forward Continuous Current 0.35A Max.</p> <p>Operating Temp. Range -55°C ~+125°C</p> <p>Package in Tape/Reel, 3000pcs/Reel</p> <p>RoHS III/REACH Compliant and Halogen Free (HF)</p>	
<b>CUSTOMER</b>		
<b>CUSTOMER PART NO.</b>		
<b>CROSS REF. PART NO.</b>		
<b>ORIGINAL MFG/PART NO.</b>	MDD Diodes/SD103BWS	
<b>PART CODE</b>	SD103BWS00S030	

<b>VENDOR APPROVE</b>		
Issued/Checked/Approved		
		
DATE: June 5, 2024		

<b>CUSTOMER APPROVE</b>	
DATE:	

**SMD SCHOTTKY DIODES SD103 SERIES CASE SOD-323**

**MAIN FEATURE**

- Low Forward Voltage Drop
- Guard Ring Construction For Transient Protection
- Negligible Reverse Recovery Time
- Surface Mount Package Ideally Suited for Automatic Insertion
- REACH/RoHS III Complaint and Halogen Free
- Cross Main Competitor Parts in Market



**APPLICATION**

- For SMD application

**ELECTRICAL CHARACTERISTICS**

- See Page 4~ Page 5 For Different Part Code

**HOW TO ORDER**

- Please Follow Up Part Code Guide And Indicate Pat Code When You Order Or RFQ For Custom Specification

**PART CODE GUIDE**

**[RFQ](#)**  
Request For Quotation

CODE	NAME	KEY SPECIFICATION OPTION
SD103	Product Series Code	SMD Schottky Diodes, Forward Current 0.35A
B	Repetitive Peak Reverse Voltage Code	A: 40V Max. ; B: 30V Max.; C: 20V Max.;
WS	Case Code	W0: Case SMF/SOD-123FL; W1: Case SOD-123; WS: Case SOD-323
00S	Internal Control Code	Custom letter A~Z, a-z or Digits (0-9)
030	Working Peak Reverse Voltage Code	020: 20V; 030: 30V; 040: 40V

**SMD SCHOTTKY DIODES SD103 SERIES CASE SOD-323**

**DIMENSION** (Unit: Inch/mm)

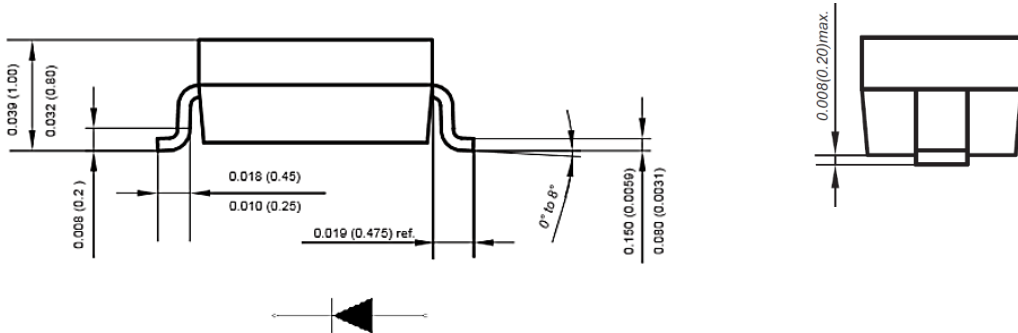
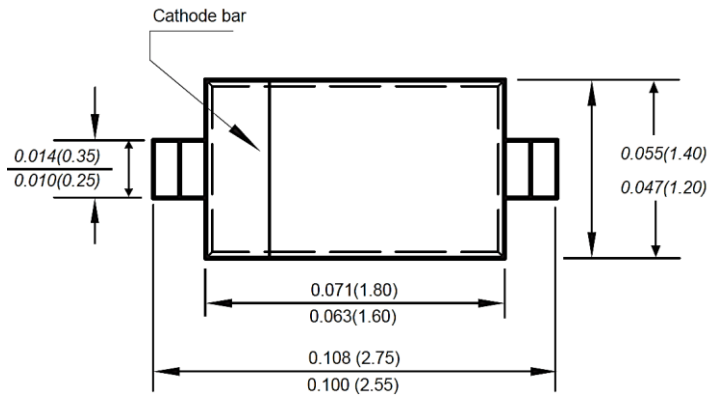
Image for reference



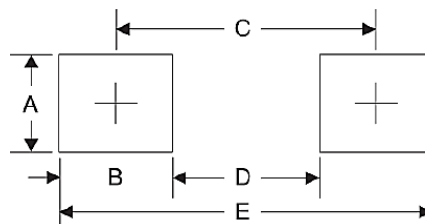
**Marking:**

See Page -5 Marking List  
For different Part code

SOD-323



**Recommend Pad Layout**



Symbol	Unit (inch)	Unit (mm)
A	0.028	0.70
B	0.028	0.70
C	0.085	2.15
D	0.071	1.80
E	0.112	2.85

**SMD SCHOTTKY DIODES SD103 SERIES CASE SOD-323**
**MECHANICAL DATA**

CASE	TERMINALS	POLARITY	MOUNTING POSITION	WEIGHT PER PIECE
JEDEC SOD-323 Molded Plastic Body	Solder plated, Solderable per MIL-STD-750, Method 2026	Polarity Symbol Marking On Case	Any	0.00070 Ounce, 0.02000 Grams

**ABSOLUTE MAXIMUM RATINGS - @ 25 °C**

PARAMETER	SYMBOLS	VALUE	UNITS
Forward Continuous Current	IFM	0.35	A
Repetitive Peak Forward Current at $\leq 1.0s$	IFRM	1.5	A
Power Dissipation	Pd	200	mW
Thermal Resistance Junction To Ambient	R $\theta$ JA	300	°C/W
Operating Junction e Temperature Range	TJ	-55 to +125	°C
Storage Temperature Range	TSTG	-55 to +150	°C

**ELECTRICAL CHARACTERISTICS - @ 25 °C**

PARAMETER	SYMBOLS	Typ.	UNITS
Capacitance Between Terminals @ VR=0V, f=1.0MHz	Ct	50	pF
Reverse Recovery Time IF=IR=200mA; Irr=0.1XIR, RL=100Ω	trr	10	ns

**SMD SCHOTTKY DIODES SD103 SERIES CASE SOD-323**
**ABSOLUTE MAXIMUM RATINGS - @ 25 °C - FOR DIFFERENT PART CODE**

PART CODE	Max. Repetitive Peak Reverse Voltage	Max. RMS Reverse Voltage	Max. Working Peak Reverse Voltage	Max. DC Blocking Voltage
	VRRM	VRMS	VRWM	VDC
	V	V	V	V
SD103CWS00S020	20	14	20	20
<b>SD103BWS00S030</b>	<b>30</b>	<b>21</b>	<b>30</b>	<b>30</b>
SD103AWS00S040	40	28	40	40

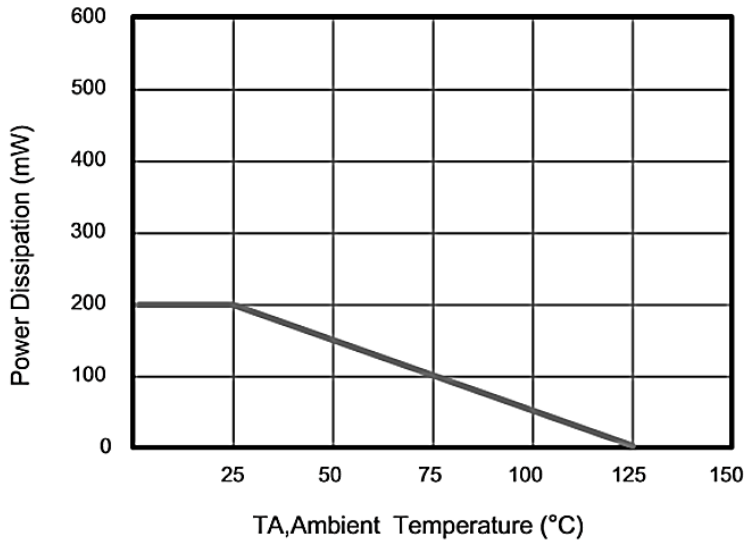
**ELECTRICAL CHARACTERISTICS - @ 25 °C - FOR DIFFERENT PART CODE**

PART CODE	Min. Reverse Breakdown Voltage Reverse	Max. Forward Voltage		Max. Reverse Current	Marking List
	@IR=100µA	@IF=20mA	@IF=200mA		
	VBRR	VF		IRM	
	V	V		µA	
SD103CWS00S020	20	0.37	0.6	5.0 @VR=10V	S6
<b>SD103BWS00S030</b>	<b>30</b>	<b>0.37</b>	<b>0.6</b>	<b>5.0 @VR=20V</b>	<b>S5</b>
SD103AWS00S040	40	0.37	0.6	5.0 @VR=30V	S4

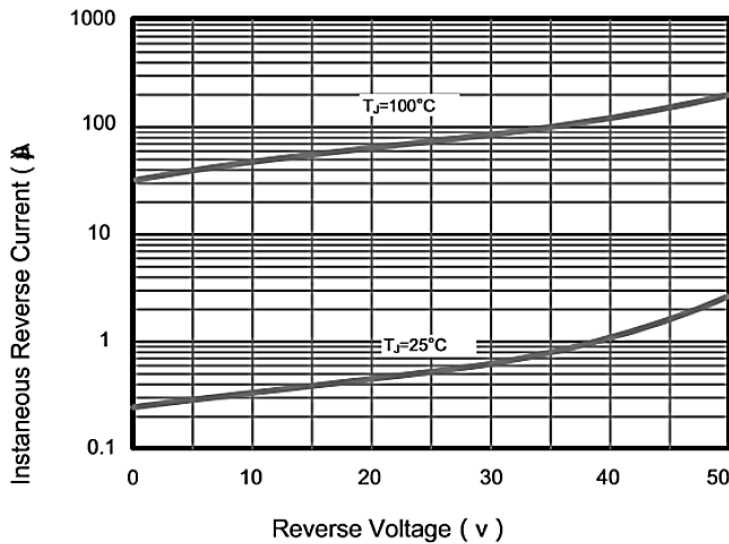
**SMD SCHOTTKY DIODES SD103 SERIES CASE SOD-323**

**TYPICAL CHARACTERISTIC CURVES - For Reference Only**

**Fig.1 Power Derating Curve**



**Fig.2 Typical Reverse Characteristics**



**SMD SCHOTTKY DIODES SD103 SERIES CASE SOD-323**

TYPICAL CHARACTERISTIC CURVES - For Reference Only

Fig.3 Forward Characteristics

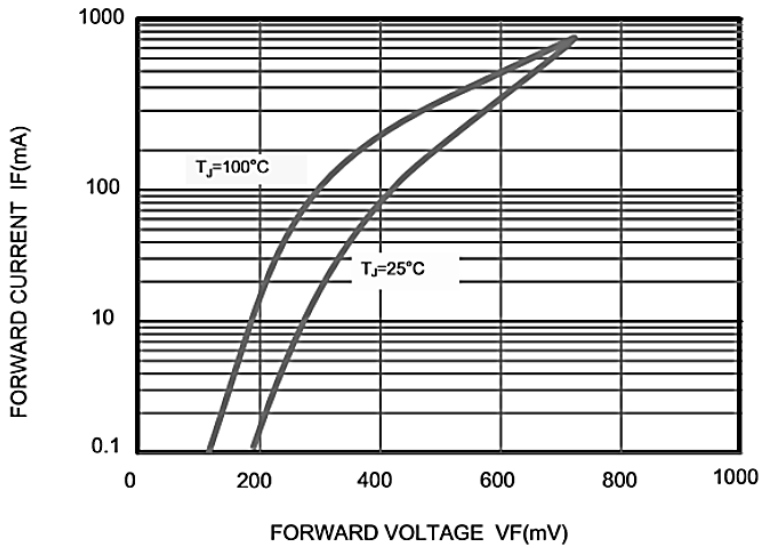
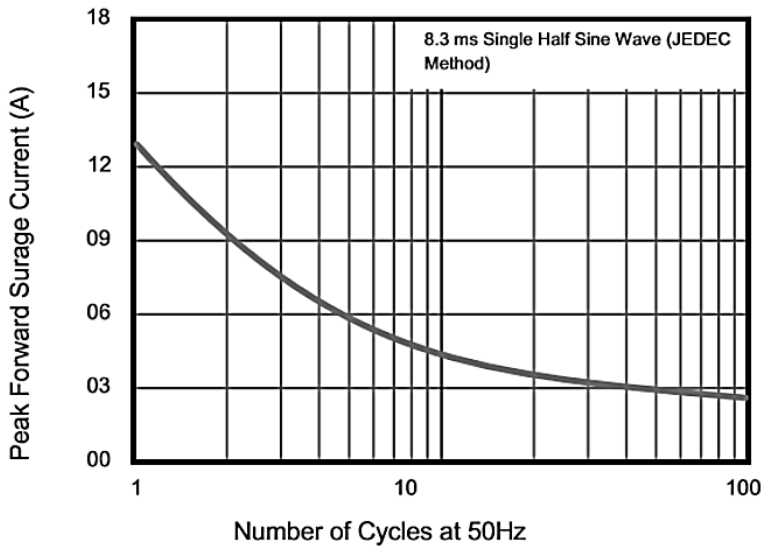


Fig.4 Maximum Non-Repetitive Peak Forward Surge Current



**SMD SCHOTTKY DIODES SD103 SERIES CASE SOD-323**

**TYPICAL CHARACTERISTIC CURVES - For Reference Only**

Fig.5 Typical Junction Capacitance

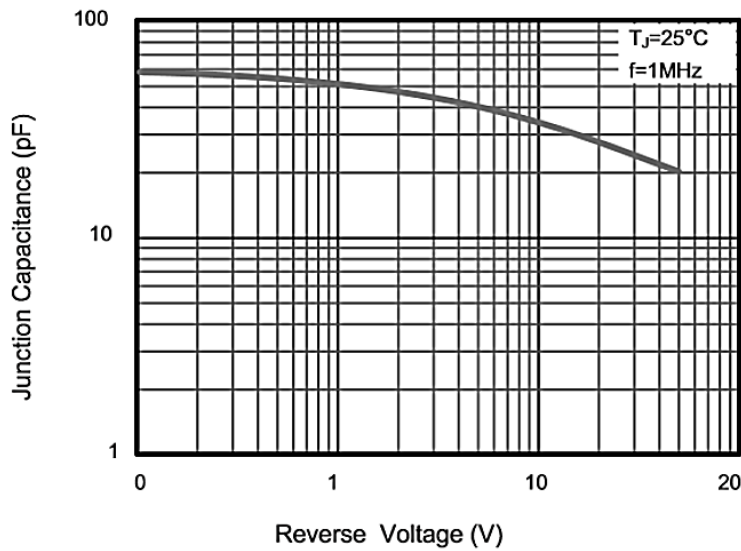
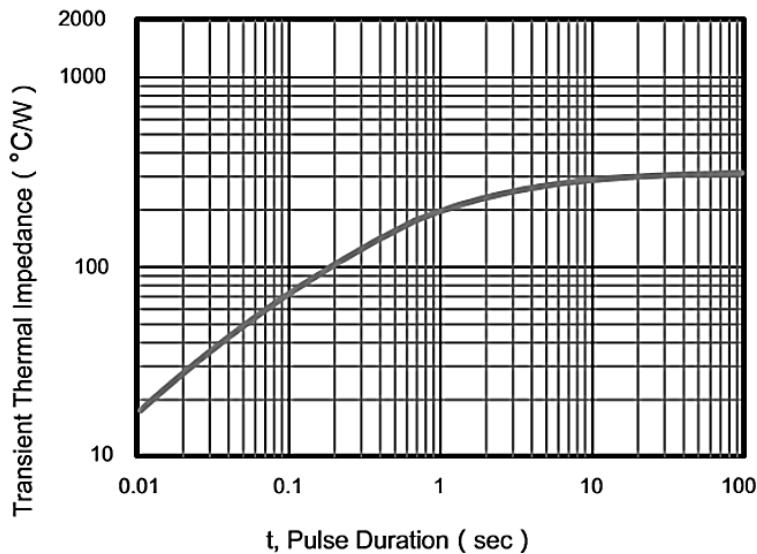


Fig.6 Typical Transient Thermal Impedance





**SMD SCHOTTKY DIODES SD103 SERIES CASE SOD-323**
**RELIABILITY**

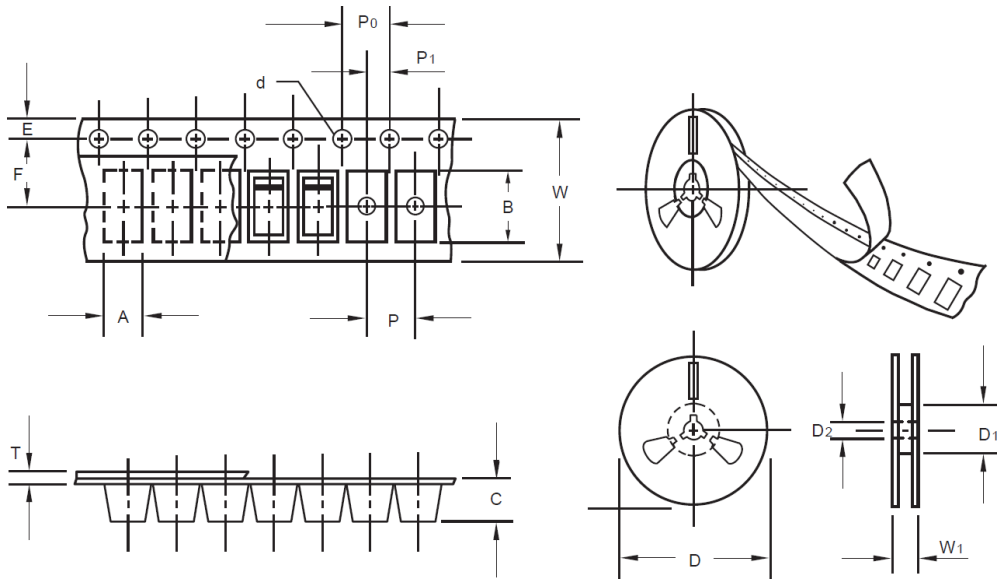
NUMBER	EXPERIMENT ITEMS	EXPERIMENT METHOD AND CONDITIONS	REFERENCE DOCUMENTS
1	Solder Resistance Test	Test 260°C± 5°C for 10 ± 2 sec. Immerse body into solder 1/16" ± 1/32"	MIL-STD-750D METHOD-2031.2
2	Solderability Test	230°C ±5°C for 5 sec.	MIL-STD-750D METHOD-2026.1 0
3	Pull Test	1 kg in axial lead direction for 10 sec.	MIL-STD-750D METHOD-2036.4
4	Bend Test	0.5Kg Weight Applied To Each Lead, Bending Arcs 90 °C ± 5 °C For 3 Times	MIL-STD-750D METHOD-2036.4
5	High Temperature Reverse Bias Test	TA=100°C for 1000 Hours at VR=80% Rated VR	MIL-STD-750D METHOD-1038.4
6	Forward Operation Life Test	TA=25°C Rated Average Rectified Current	MIL-STD-750D METHOD-1027.3
7	Intermittent Operation Life Test	On state: 5 min with rated IRMS Power Off state: 5 min with Cool Forced Air. On and off for 1000 cycles.	MIL-STD-750D METHOD-1036.3
8	Pressure Cooker Test	15 PSIG, TA=121°C, 4 hours	MIL-S-19500 APPENOIXC
9	Temperature Cycling Test	-55°C~+125°C; 30 Minutes For Dwelled Time 5 minutes for transferred time. Total: 10 cycles.	MIL-STD-750D METHOD-1051.7
10	Thermal Shock Test	0°C for 5 minutes., 100°C for 5minutes, Total: 10 cycles	MIL-STD-750D METHOD-1056.7
11	Forward Surge Test	8.3ms Single Sale Sine-wave One Surge.	MIL-STD-750D METHOD-4066.4
12	Humidity Test	TA=65°C, RH=98% for 1000 hours.	MIL-STD-750D METHOD-1021.3
13	High Temperature Storage life Test	150°C for 1000 Hours	MIL-STD-750D METHOD-1031.5

**SMD SCHOTTKY DIODES SD103 SERIES CASE SOD-323**
**SUGGESTED REFLOW PROFILE - For Reference Only**


PROFILE FEATURE		PB-FREE ASSEMBLY
Average Ramp-up Rate (Ts Max to Tp)		3°C/second Max
Preheat	Temperature Min (Ts Min.)	150°C
	Temperature Max (Ts Max.)	200°C
	Time (ts Min. to ts Max.)	60 ~ 180 seconds
Time maintained above	Temperature (Tl)	217°C
	Time (tl)	60 ~ 150 seconds
Peak/Classification Temperature (Tp)		260 °C
Time within 5°C of actual Peak Temperature (tp)		20 ~ 40 seconds
Ramp-down rate		6 °C /Second Max.
Time 25 °C to Peak Temperature		8 minutes Max.
Suggest reflow times		3 Times Max.

**SMD SCHOTTKY DIODES SD103 SERIES CASE SOD-323**
**TAPE/REEL - Unit: mm**

All Devices are packed in accordance with EIA standard RS-481-A and specifications.



ITEM	SYMBOL	TOLERANCE	SO-323
Carrier width	A	0.1	2.10
Carrier Length	B	0.1	4.00
Carrier Depth	C	0.1	1.60
Sprocket hole	d	0.05	1.55
7" Reel outside diameter	D	2.0	178.00
7" Reel inner diameter	D1	Min.	50.00
Feed hole diameter	D2	0.5	13.00
Sprocket hole position	E	0.1	1.75
Punch hole position	F	0.1	3.50
Punch hole pitch	P	0.1	4.00
Sprocket hole pitch	P0	0.1	4.00
Embossment center	P1	0.1	2.00
Overall tape thickness	T	0.1	0.25
Tape width	W	0.3	8.15
Reel width	W1	1.0	10.50
MPQ/Reel	3000pcs/Reel		

## SMD SCHOTTKY DIODES SD103 SERIES CASE SOD-323

### IMPORTANT NOTES AND DISCLAIMER

1. **ROHS COMPLIANCE:** The levels of RoHS restricted materials in this product are below the maximum concentration values (also referred to as the threshold limits) permitted for such substances, or are used in an exempted application, in accordance with EU RoHS Directive (EU) 2015/863 EC (RoHS3). RoHS Test Report for this product can be obtained at Download Center.
2. **REACH COMPLIANCE:** REACH substances of high concern (SVHCs) information is available for this product. Since the European Chemical Agency (ECHA) has published notice of their intent to frequently revise the SVHC listing for the foreseeable future, REACH Test Report for this product can be obtained at Download Center.
3. All Product parametric performance is indicated in the Electrical Characteristics for the listed herein test conditions, unless otherwise noted. Product performance may not be indicated by the Electrical Characteristics if operated under different conditions.
4. NextGen Component, Inc (*NextGen*) reserves the right to make changes to this document and its products and specifications at any time without notice. Customers should obtain and confirm the latest product information and specifications before final design, purchase or use.
5. *NextGen* makes no warranty, representation or guarantee regarding the suitability of its products for any particular purpose, not does *NextGen* assume any liability for application assistance or customer product design.
6. *NextGen* does not warrant or accept any liability with products which are purchased or used for any unintended or unauthorized application. No license is granted by implication or otherwise under any intellectual property rights of NextGen.
7. *NextGen* products are not authorized for use as critical components in life support devices or systems without express written approval by *NextGen*.
8. *NextGen* requires that customers first obtain an RMA (Returned Merchandise Authorization) number prior to returning any products. Returns must be made within 30 days of the date of invoice, be in the original packaging, unused and like-new condition. At the time of quoting or purchasing, a product may say that it is Non-Cancelable/ Non-Returnable (NCNR). These products are not returnable and not refundable.