




SPECIFICATION SHEET

SPECIFICATION SHEET NO.	R0628-FL455K0000S110	
DATE	June 28, 2024	
REVISION	A1	Updated With Most Recent Data
DESCRIPTION AND MAIN PARAMETRICS	<p>SMD Ceramic Filter 6560 Type L6.5*W6.0*H4.2mm 3 Pads FL Series 455KHz, Insertion Loss. 4.0dB Max.; 6dB Bandwidth: ±17.5KHz Min. Group Delay Time (GDT) Ripple Deviation: 15µSec. Max. within f0 ±12KHz Input/Output Impedance: 1000 ohm, Operating Temp. Range -20°C ~+85°C, Reflow Profile Condition 260 °C Max. Tape/Reel, RoHS/RoHS III compliant, RoHS Annex III lead Exemption (exempt per RoHS EU 2015/863)</p>	
CUSTOMER		
CUSTOMER PART NO.		
CROSS REF. PART NO.		
ORIGINAL MFG/PART NO.	TGS/CFTC 455KAU TLH/LTUC455KAx	
PART CODE	FL455K0000S110	

VENDOR APPROVE			
Issued/Checked/Approved			
DATE: June 28, 2024			

CUSTOMER APPROVE	
DATE:	

6/28/2024

KHZ SMD CERAMIC FILTER GDT TYPE FL SERIES

MAIN FEATURE

- KHz SMD Ceramic Filter 6560 Size 3 pads
- White case, L6.5*W6.0*H4.2mm
- Group Delay Time (GDT) Ripple Deviation: 15µSec. Max. within f0 ±12KHz
- Cross More Competitors Part CFUKG Series
- RoHS/RoHS III compliant, RoHS Annex III lead Exemption (exempt per RoHS EU 2015/863)



APPLICATION

- Communication Electronics

HOW TO ORDER

- Please follow up Part Code Guide and Indicate Part Code When You Order Or RFQ.

RFQ
Request For Quotation

PART CODE GUIDE

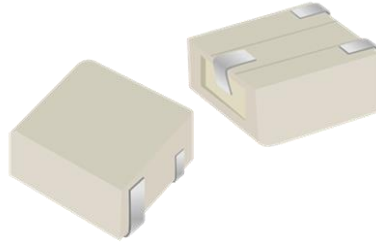
FL	455K0000	S	110
1	2	3	4

1. FL: Part family Code for KHz SMD Ceramic Filter 6560 Size L6.5*W6.0*H4.2mm 3 Pads
2. 455K0000: Frequency Range Code For 455KHz
3. S: SMD type, Package Tape/Reel, 1000pcs/Reel
4. 110: Internal Control Code and Special Parameters Code Letter A~Z, a~z or Digits (0-9)

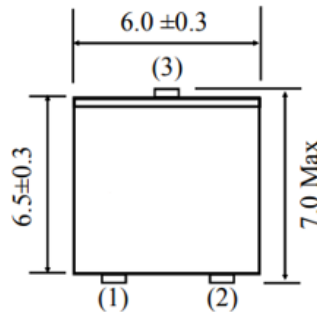
KHZ SMD CERAMIC FILTER GDT TYPE FL SERIES

DIMENSION (Unit: mm)

Image for reference



Top View



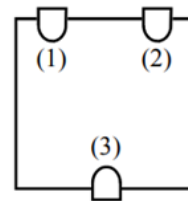
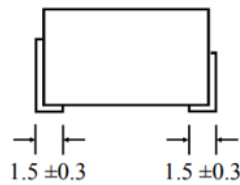
Marking

Line 1: Series Code

Line 2: Frequency Range

+Internal Code

Bottom View



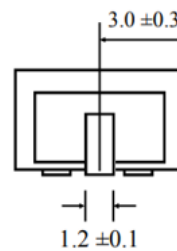
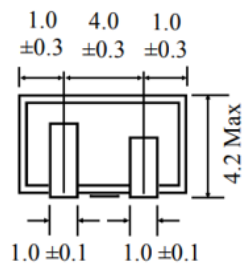
Connection

Pin 1: Input

Pin 2: Output

Pin 3: Ground

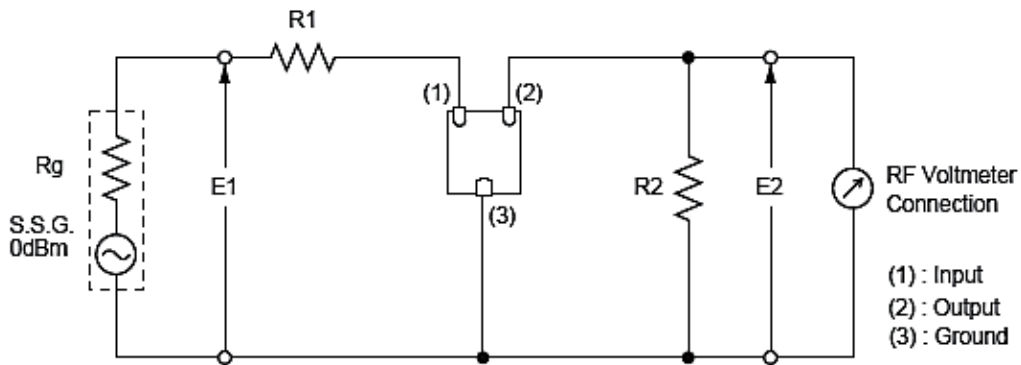
Side View



KHZ SMD CERAMIC FILTER GDT TYPE FL SERIES

MEASUREMENT

- Measurement shall be carried out at the standard temperature of 25±2°C. If no specific requirements, Test can be carried out under 5-35°C.
- Measuring Circuit



$R_g + R_1 = R_2 = \text{Output/input Impedance}$

GENERAL ELECTRICAL PARAMETERS

PARAMETER	UNITS	VALUE			CONDITION
		MIN.	TYPICAL	MAX.	
Operation Temperature	°C	-20		+85	
Storage Temperature	°C	-40		+85	
Temperature Stability	%			±0.5	@ -20°C ~+85°C
Insulation Resistance	MΩ	100			@DC 25V 1 minute

KHZ SMD CERAMIC FILTER GDT TYPE FL SERIES
ELECTRICAL PARAMETERS – FOR DIFFERENT PART CODE

Part Code	Center Freq.(f0) (Center of 6dB Bandwidth)	3dB Bandwidth	6dB Bandwidth	40dB Bandwidth	Stop Band Attenuation
	KHz	KHz	KHz	KHz	dB
FL450K0000S110	450±2.0	±12.0 Min.	±17.5 Min.	±40.0 Min.	25 Min. (within f0± 100KHz)
FL450K0000S111	450±1.5	±12.0 Min.	±15.0 Min.	±35.0 Min.	25 Min. (within f0± 100KHz)
FL450K0000S112	450±1.5	±10.0 Min.	±12.5 Min.	±30.0 Min.	25 Min. (within f0± 100KHz)
FL450K0000S113	450±1.0	±7.5 Min.	±10.0 Min.	±25.0 Min.	25 Min. (within f0± 100KHz)
FL450K0000S114	450±1.0	±5.0 Min.	±7.5 Min.	±20.0 Min.	25 Min. (within f0± 100KHz)
FL450K0000S115	450±1.5	±4.0 Min.	±6.0 Min.	±15.0 Min.	25 Min. (within f0± 100KHz)
FL450K0000S116	450±1.0	±3.0 Min.	±4.5 Min.	±12.5 Min.	25 Min. (within f0± 100KHz)
FL450K0000S117	450±1.0	±2.0 Min.	±3.0 Min.	±10.0 Min.	25 Min. (within f0± 100KHz)
FL455K0000S110	455±2.0	±12.0 Min.	±17.5 Min.	±40.0 Min.	25 Min. (within f0± 100KHz)
FL455K0000S111	455±1.5	±12.0 Min.	±15.0 Min.	±35.0 Min.	25 Min. (within f0± 100KHz)
FL455K0000S112	455±1.5	±10.0 Min.	±12.5 Min.	±30.0 Min.	25 Min. (within f0± 100KHz)
FL455K0000S113	455±1.0	±7.5 Min.	±10.0 Min.	±25.0 Min.	25 Min. (within f0± 100KHz)
FL455K0000S114	455±1.0	±5.0 Min.	±7.5 Min.	±20.0 Min.	25 Min. (within f0± 100KHz)
FL455K0000S115	455±1.5	±4.0 Min.	±6.0 Min.	±15.0 Min.	25 Min. (within f0± 100KHz)
FL455K0000S116	455±1.0	±3.0 Min.	±4.5 Min.	±12.5 Min.	25 Min. (within f0± 100KHz)
FL455K0000S117	455±1.0	±2.0 Min.	±3.0 Min.	±10.0 Min.	25 Min. (within f0± 100KHz)

KHZ SMD CERAMIC FILTER GDT TYPE FL SERIES
ELECTRICAL PARAMETERS – FOR DIFFERENT PART CODE

Part Code	Ripple	Insertion Loss @ Min. Loss Point	Spurious Response (0.1 ~ 1MHz)	GDT Ripple Deviation	Input/ Output Impedance
	dB	dB	dB	µsec.	Ω
FL450K0000S110	1.0 Max. (within f0±12KHz)	4.0 Max.	20 Min.	15 Max. (within fo±12KHz)	1000
FL450K0000S111	1.0 Max. (within f0±10KHz)	5.0 Max.	20 Min.	15 Max. (within fo±2KHz)	1000
FL450K0000S112	1.0 Max. (within f0±8KHz)	5.0 Max.	20 Min.	15 Max. (within fo±8KHz)	1000
FL450K0000S113	1.0 Max. (within f0±7KHz)	5.0 Max.	20 Min.	20 Max. (within fo±7KHz)	1500
FL450K0000S114	1.0 Max. (within f0±5KHz)	5.0 Max.	20 Min.	25 Max. (within fo±5KHz)	1500
FL450K0000S115	1.0 Max. (within f0±5KHz)	5.0 Max.	20 Min.	25 Max. (within fo±4KHz)	1500
FL450K0000S116	1.0 Max. (within f0±5KHz)	5.0 Max.	20 Min.	25 Max. (within fo±3KHz)	1500
FL450K0000S117	1.0 Max. (within f0±2KHz)	6.0 Max.	20 Min.	25 Max. (within fo±2KHz)	1500
FL455K0000S110	1.0 Max. (within f0±12KHz)	4.0 Max.	20 Min.	15 Max. (within fo±12KHz)	1000
FL455K0000S111	1.0 Max. (within f0±10KHz)	5.0 Max.	20 Min.	15 Max. (within fo±2KHz)	1000
FL455K0000S112	1.0 Max. (within f0±8KHz)	5.0 Max.	20 Min.	15 Max. (within fo±5KHz)	1000
FL455K0000S113	1.0 Max. (within f0±7KHz)	5.0 Max.	20 Min.	20 Max. (within fo±7KHz)	1500
FL455K0000S114	1.0 Max. (within f0±5KHz)	5.0 Max.	20 Min.	25 Max. (within fo±5KHz)	1500
FL455K0000S115	1.0 Max. (within f0±5KHz)	5.0 Max.	20 Min.	25 Max. (within fo±4KHz)	1000
FL455K0000S116	1.0 Max. (within f0±5KHz)	5.0 Max.	20 Min.	25 Max. (within fo±3KHz)	1500
FL455K0000S117	1.0 Max. (within f0±2KHz)	6.0 Max.	20 Min.	25 Max. (within fo±2KHz)	1500

KHZ SMD CERAMIC FILTER GDT TYPE FL SERIES

PHYSICAL CHARACTERISTICS

TEST ITEMS	MEASUREMENT CONDITION	REQUIREMENT
Random Drop	Filter shall be measured after 3 times random drops from the height of 30cm on concrete floor	No visible damage and it meet Table at Page 4/5/6
Vibration	Filter shall be measured after being applied vibration of amplitude of 1.5mm with 10-55Hz band of vibration frequency to each of 3 perpendicular directions for 2 hours	No damage and it meet Table at Page 4/5/6
Solderability	Lead terminals are immersed in aide solder for 5 sec and then immersed in soldering bath of 230±5°C, for 3±0.5 sec.	At least 95% lead terminals shall be covered with solder.
Substrate Bending Test	Apply pressure in the direction of arrow at a rate of about 0.5mm per second until it reaches a bend of 3mm and hold for 30s.	No damage, no cut-off and it meet Table at Page 4/5/6
Adhesion	A static load of 20N to the direction of the arrow shall be applied on the core of the component and hold for 10 seconds. Filter shall be soldered correctly and tightly to PCB.	No damage, no cut-off and it meet Table at Page 4/5/6
Reflow Soldering	Put on the solder paste on the printed wiring board the samples shall be mounted and soldered under the condition, then it shall be subjected to the room atmosphere for 24 hours prior to the measurement.	No damage, no cut-off and it meet Table at Page 4/5/6

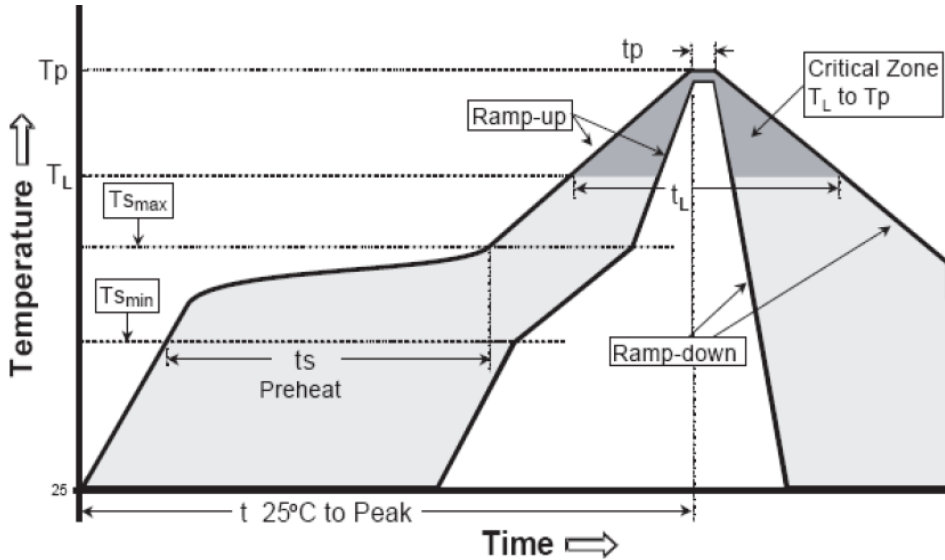
KHZ SMD CERAMIC FILTER GDT TYPE FL SERIES

ENVIRONMENTAL CHARACTERISTICS

TEST ITEMS	MEASUREMENT CONDITION	REQUIREMENT
Humidity	After being placed in a chamber with 90-95% R.H. at 40±2°C for 100 hours and then being placed in room temperature for 1 hour, filter shall be measured.	It shall meet Table at Page 4/5/6
Resistance to Solder Heat	After being placed in a chamber with 80±2°C, for 100 hours and then being placed in room temperature for 1 hour, filter shall be measured.	It shall meet Table at Page 4/5/6
High Temperature	After being placed in a chamber with 80±2°C, for 100 hours and then being placed in room temperature for 1 hour, filter shall be measured.	It shall meet Table at Page 4/5/6
Low Temperature	After being placed in a chamber with -20±2°C, for 100 hours and then being placed in room temperature for 1 hour, filter shall be measured.	It shall meet Table at Page 4/5/6
Heat Shock	After being kept at room temperature, filter shall be placed at temperature of -55 °C, for 30 minutes, then be placed at temperature. 85°C, for 30 minutes. After that returned to -55°C again. Repeated above cycle for 5 times. After being kept in room temp. for 1 hour, filter shall be measured	It shall meet Table at Page 4/5/6

KHZ SMD CERAMIC FILTER GDT TYPE FL SERIES

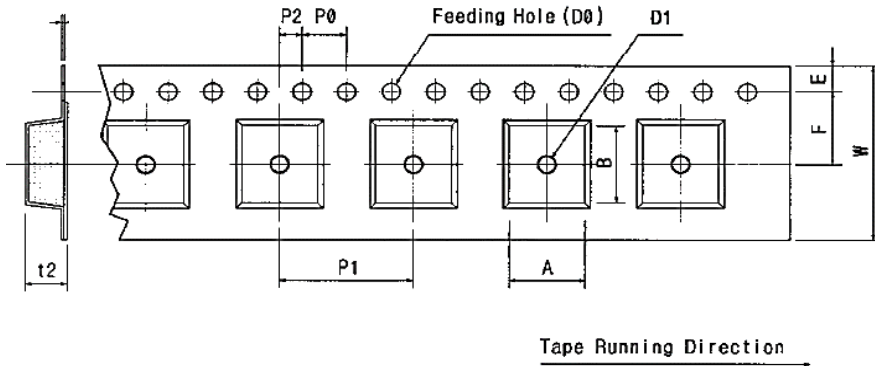
SUGGESTED REFLOW PROFILE (For Reference Only)



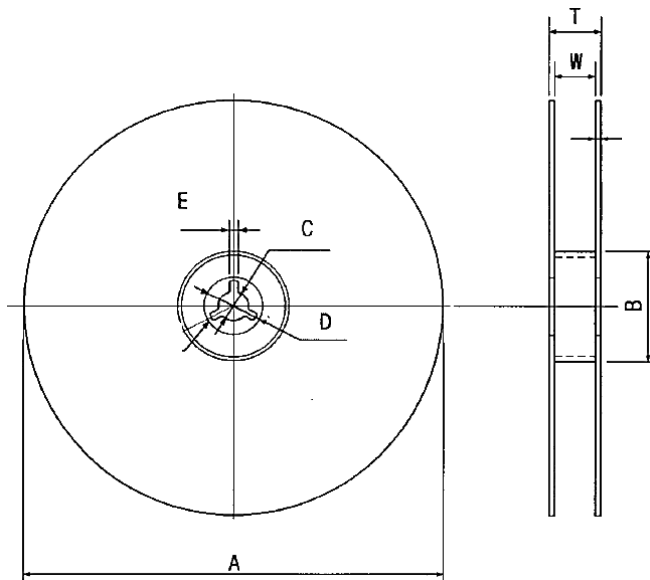
PROFILE FEATURE		PB-FREE ASSEMBLY
Average Ramp-up Rate (Ts Max to Tp)		3°C/second Max
Preheat	Temperature Min (Ts Min.)	125°C
	Temperature Max (Ts Max.)	200°C
	Time (ts Min. to ts Max.)	60 ~ 180 seconds
Time maintained above	Temperature (Tl)	217°C
	Time (tL)	60 ~ 150 seconds
Peak/Classification Temperature (Tp)		260 °C
Time within 5°C of actual Peak Temperature (tp)		20 ~ 40 seconds
Ramp-down rate		6 °C /Second Max.
Time 25 °C to Peak Temperature		8 minutes Max.
Suggest reflow times		2 Times Max.

KHZ SMD CERAMIC FILTER GDT TYPE FL SERIES

REEL AND TAPE DIMENSION (Unit: mm, 1000pcs/Reel)



CODE	DIMENSION
W	16.0+/-0.30
F	7.50+/-0.05
E	1.75+/-0.10
P 0	4.00+/-0.10
P 1	8.00+/-0.10
P 2	2.00+/-0.05
D 0	Ø1.5+/-0.10
D 1	Ø1.0+/-0.25
t 2	4.20+/-0.10
A	6.70+/-0.10
B	6.30+/-0.10



CODE	DIMENSION
A	Ø180+/-1.0
B	Ø60+/-0.5
C	Ø13.0+/-0.5
E	2.00+/-0.5
W	17.0+/-1.0
T	19.4+/-0.3

KHZ SMD CERAMIC FILTER GDT TYPE FL SERIES

IMPORTANT NOTES AND DISCLAIMER

1. **ROHS COMPLIANCE:** The levels of RoHS restricted materials in this product are below the maximum concentration values (also referred to as the threshold limits) permitted for such substances, or are used in an exempted application, in accordance with EU RoHS Directive (EU) 2015/863 EC (RoHS3). RoHS Test Report for this product can be obtained at Download Center.
2. **REACH COMPLIANCE:** REACH substances of high concern (SVHCs) information is available for this product. Since the European Chemical Agency (ECHA) has published notice of their intent to frequently revise the SVHC listing for the foreseeable future, REACH Test Report for this product can be obtained at Download Center.
3. All Product parametric performance is indicated in the Electrical Characteristics for the listed herein test conditions, unless otherwise noted. Product performance may not be indicated by the Electrical Characteristics if operated under different conditions.
4. NextGen Component, Inc (*NextGen*) reserves the right to make changes to this document and its products and specifications at any time without notice. Customers should obtain and confirm the latest product information and specifications before final design, purchase or use.
5. *NextGen* makes no warranty, representation or guarantee regarding the suitability of its products for any particular purpose, not does *NextGen* assume any liability for application assistance or customer product design.
6. *NextGen* does not warrant or accept any liability with products which are purchased or used for any unintended or unauthorized application. No license is granted by implication or otherwise under any intellectual property rights of NextGen.
7. *NextGen* products are not authorized for use as critical components in life support devices or systems without express written approval by *NextGen*.
8. *NextGen* requires that customers first obtain an RMA (Returned Merchandise Authorization) number prior to returning any products. Returns must be made within 30 days of the date of invoice, be in the original packaging, unused and like-new condition. At the time of quoting or purchasing, a product may say that it is Non-Cancelable/ Non-Returnable (NCNR). These products are not returnable and not refundable.