




SPECIFICATION SHEET

SPECIFICATION SHEET NO.	R0717- YR32K76800S004	
DATE	July 17, 2024	
REVISION	A3	Updated With Most Recent Data
DESCRIPTION AND MAIN PARAMETRICS	<p>KHz SMD Crystals, L3.2*W1.5*H0.9mm, 2 Pads, YR series 32.76800KHz, ±20ppm, CL 6pF Operating Temp. Range -40°C ~+85°C, ESR 70 Kohm Max., Reflow Profile Condition 260 °C Max. Tape/Reel, 3000pcs/Reel, RoHS/RoHS III compliant</p>	
CUSTOMER		
CUSTOMER PART NO.		
CROSS REF. PART NO.		
ORIGINAL MFG/PART NO.	TGS/CCMM 32K768A20-6-40-70T LF	
PART CODE	YR32K76800S004	

VENDOR APPROVE			
Issued/Checked/Approved			
DATE: July 17, 2024			

CUSTOMER APPROVE	
DATE:	

KHZ SMD CRYSTALS 3215 TYPE YR SERIES

MAIN FEATURE

- SMD Package, L3.2*w1.5*h0.9mm, 2 Pads
- Industry Standard
- Reflow Profile Condition 260 °C Max.
- Cross More Competitors Part
- REACH/RoHS III Compliant



APPLICATION

- Small Communications Devices And More

HOW TO ORDER

- Please follow up Part Code Guide and Indicate Part Code When You Order Or RFQ.

PART CODE GUIDE

RFQ
Request For Quotation

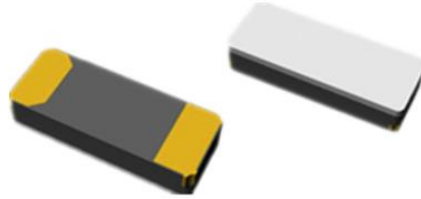
YR	32K76800	S	004
1	2	3	4

1. YR: Part family Code for KHz SMD crystal L3.2*W1.5*H0.9mm, 2 Pads
2. 32K76800: Frequency Range Code For 32.76800KHz
3. S: SMD type, Package Tape/Reel, 3000pcs/Reel
4. 004: Internal Control Code and Special Parameters Code Letter A~Z, a~z or digits (0-9)

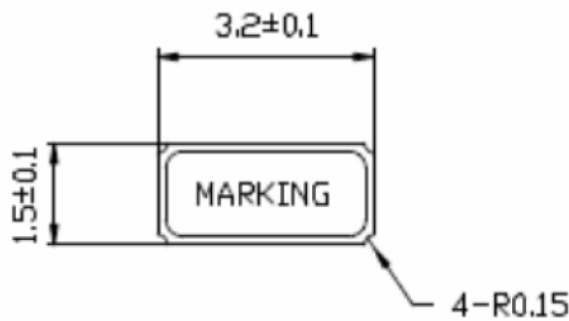
KHZ SMD CRYSTALS 3215 TYPE YR SERIES

DIMENSION (Unit: mm)

Image for reference



Top View

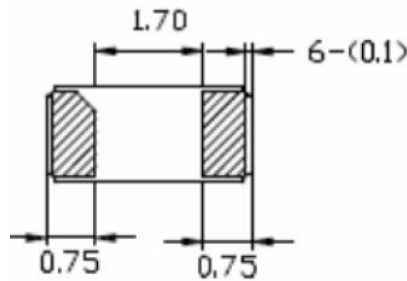


Marking
Frequency Range

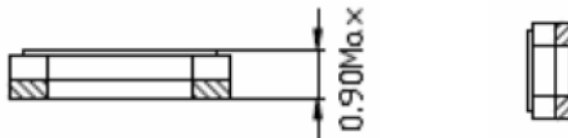
or

Marking
Internal Control Code

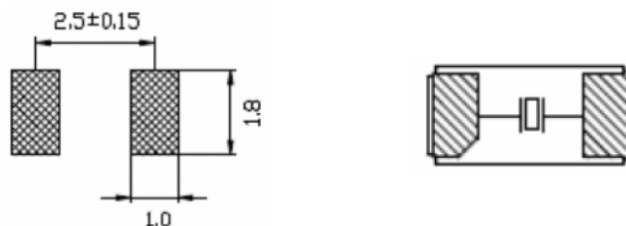
Bottom View



Side View

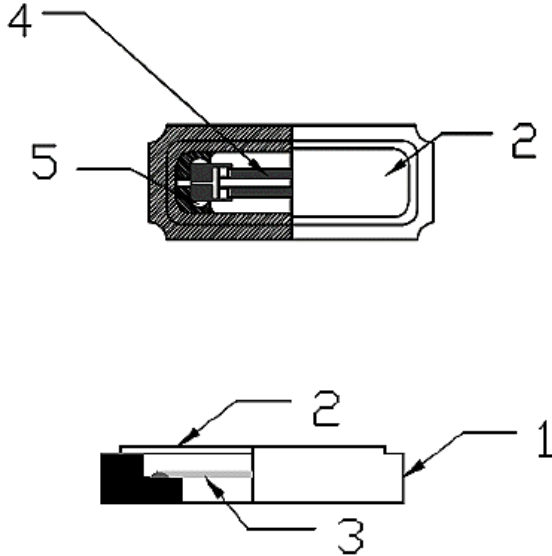


Land Pattern
for reference



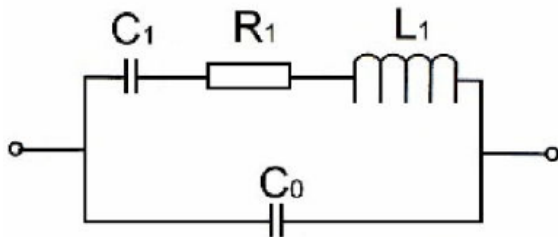
KHZ SMD CRYSTALS 3215 TYPE YR SERIES

PRODUCT STRUCTURE



Item No.	Component Name	Material Name
1	Crystal Case	Ceramic (A1203)
2	Crystal Cover/Lid	KV (Fe/Co/Ni)
3	Crystal Chip/Blank	SiO2
4	Electrode	Cr, Au (Cr+Au)
5	Adhesive	Resin, Ag

EQUIVALENT CIRCUIT



KHZ SMD CRYSTALS 3215 TYPE YR SERIES
ELECTRICAL PARAMETERS – FOR DIFFERENT PART CODE- Ta = 25°C

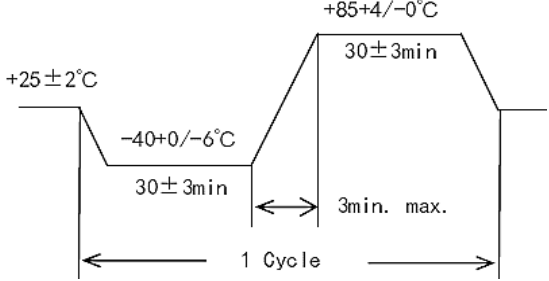
Part Code	Frequency Range	Frequency Tolerance @ 25°C±3°C	Load Capacitance
	KHz	ppm	pF
YR32K76800S001	32.768	±20	12.5
YR32K76800S003	32.768	±20	7
YR32K76800S004	32.768	±20	6
YR32K76800S005	32.768	±20	9

GENERAL ELECTRICAL PARAMETERS

PARAMETER	UNITS	VALUE			CONDITION
		MIN.	TYPICAL	MAX.	
Mode of Oscillation		AT Fundamental			
Equivalent Series Resistance (ESR)	KΩ	-	-	70	
Parabolic Coefficient	ppm/°C ²	-0.04	-	-0.02	
Drive Level (DL)	μW	-	0.1	0.5	
Shunt Capacitance (C0)	pF	-	1.1	2.0	
Dynamic Capacitance (C1)	fF	-	4.1	-	
Turnover Temperature	°C	+20	25	+30	
Insulation Resistance	MΩ	500			@100VDC, ± 15VDC
Quality Factor (Q)	K	13	-	-	
Operation Temperature	°C	-40	-	+85	
Storage Temperature	°C	-55	-	+125	
Aging	ppm	-3	-	+3	Per Year

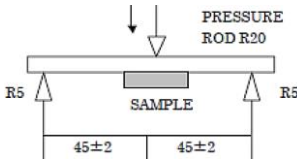
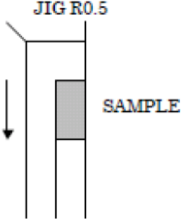
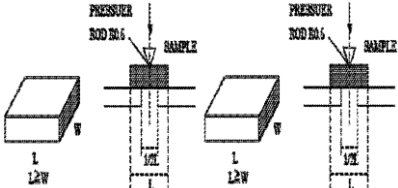
KHZ SMD CRYSTALS 3215 TYPE YR SERIES

RELIABILITY

TEST ITEMS	TEST METHOD AND CONDITIONS	TEST STANDARD
High Temperature High Humidity Storage	Temperature: 60°C ± 2 °C Relative Humidity: 90%~95% RH For Time: 500 ± 12 Hours	A, C, D, G
High Temperature Storage	Temperature: 125°C ± 2°C Time: 1000±12 Hours.	B, C, G
Low Temperature Storage	Temperature: -40°C ± 2°C Time: 500 ± 12 Hours.	A, C, G
Temperature Cycle	The crystal unit shall be subjected to 100 successive change of temperature cycles. 	A, C, G
Solderability	The solder pot temperature is 260±5°C , dwell time 2±0.6sec	F
Drop Test	Height: 180 cm; Dropped Cycle: 3 cycles; Drop it on to a concrete board for 6 Directions (X,Y,Z), that should be 1 cycle	B, C
Vibration	Frequency Range: 10Hz ~ 55Hz Amplitude: 1.5mm±15%; Sweep time: 2~3 Minutes, 2 Hours in each direction, total 6 Hours	A, C
Leakage Test	Helium Bombing 5.0 ~5.5 Kg/cm ² ; for 2 hours	E

KHZ SMD CRYSTALS 3215 TYPE YR SERIES

RELIABILITY

TEST ITEMS	TEST METHOD AND CONDITIONS	TEST STANDARD
Terminal Strength	<p>Shall be pressurized at a speed of approx. 0.5mm/sec. in the direction indicated by the arrow unit the bending width reaches 3mm and held for 5 sec.</p> 	B, C
Sticking Tendency	<p>A R0.5 Jig shall be used to apply a 10N dead load in the direction indicated by the arrow to the element and retain it for 10 sec.</p> 	B, C
Element Assembly Strength	<p>A R0.5 Jig shall be used to apply a 10N dead load in the direction indicated by the arrow to the element and retain it for 10 sec.</p> 	B, C

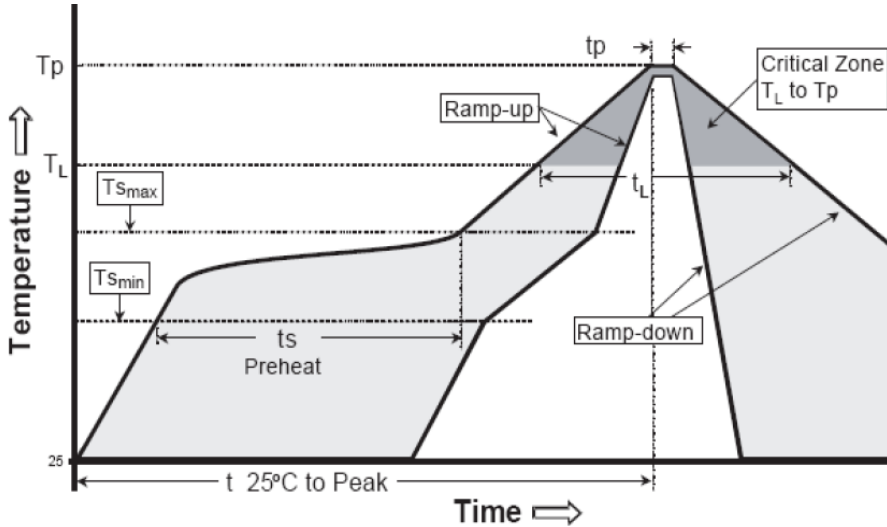
KHZ SMD CRYSTALS 3215 TYPE YR SERIES

TEST STANDARD

TEST STANDARD SYMBOL	SPECIFICATION	VALUE
A	Frequency Change permitted	$\Delta F \leq 10 \text{ppm}$
B	Frequency Change permitted	$\Delta F \leq 20 \text{ppm}$
C	Equivalent Series Resistance Change Permitted	$\Delta C I \leq 5 \text{K}\Omega$ or 20%
D	Insulation Resistance	$> 500 \text{ M}\Omega$
E	Leak Rate Less than	$< 1 * 10^{-9} \text{ Pa} \cdot \text{m}^3/\text{sec.}$
F	A new uniform coating of solder shall cover a Min 95% of the crystal surface	
G	Then $25 \pm 2^\circ\text{C}$ over 2 hours before Testing	

KHZ SMD CRYSTALS 3215 TYPE YR SERIES

SUGGESTED REFLOW PROFILE (For Reference No. JEDEC J-STD-020D)

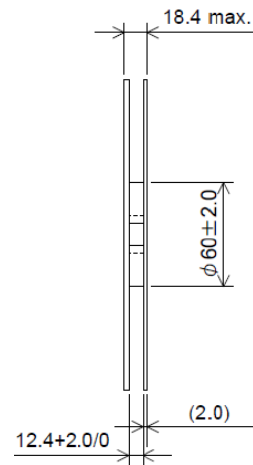
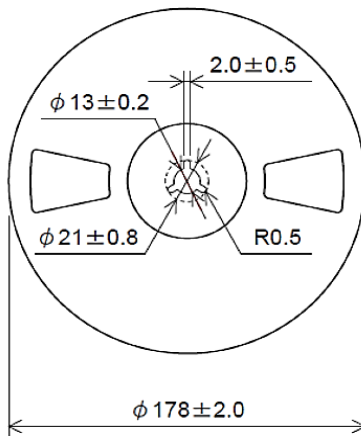
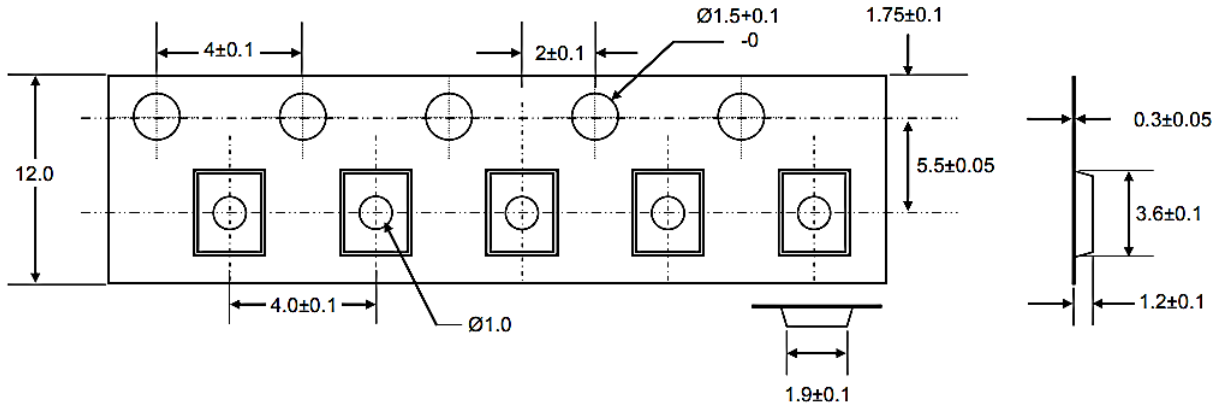


PROFILE FEATURE		PB-FREE ASSEMBLY
Average Ramp-up Rate (T_s Max to T_p)		3°C/second Max
Preheat	Temperature Min (T_s Min.)	150°C
	Temperature Max (T_s Max.)	200°C
	Time (t_s Min. to t_s Max.)	60 ~ 120 seconds
Time maintained above	Temperature (T_L)	217°C
	Time (t_L)	60 ~ 150 seconds
Peak/Classification Temperature (T_p)		260 +/-5°C
Time within 5°C of actual Peak Temperature (t_p)		20 ~ 40 seconds
Ramp-down rate		6 °C /Second Max.
Time 25 °C to Peak Temperature		8 minutes Max.
Suggest reflow times		3 Times Max.

KHZ SMD CRYSTALS 3215 TYPE YR SERIES

REEL AND TAPE DIMENSION (Unit: mm)

All Devices are packed in accordance with EIA standard RS-481-2 and specifications, 3000pcs/Reel



KHZ SMD CRYSTALS 3215 TYPE YR SERIES

NOTES BEFORE USE

Ultrasonic Cleaning:

General cleaning solutions or ultrasonic cleaning method may be used to clean our products. However, under certain circumstances, ultrasonic cleaning machine could generate resonance at the oscillation frequency of our products and thus deteriorate the electrical characteristics in device and even damage the overall structure of device. Therefore, verification test is recommended before cleaning.

Ultrasonic Welding

Avoid mounting and processing by Ultrasonic welding this method has a possibility of an excessive vibration spreading inside the crystal products and become the cause of characteristic deterioration and not oscillating.

Storage Temperature Description

Storage Temperature is only for the product itself, the temperature for the packing material is 5~40°C

Recommended Conditions for Manual Welding Max. Temperature: 350±10°C, Time: 3 sec Max., Re-solder time: twice Max.

KHZ SMD CRYSTALS 3215 TYPE YR SERIES

IMPORTANT NOTES AND DISCLAIMER

1. **ROHS COMPLIANCE:** The levels of RoHS restricted materials in this product are below the maximum concentration values (also referred to as the threshold limits) permitted for such substances, or are used in an exempted application, in accordance with EU RoHS Directive (EU) 2015/863 EC (RoHS3). RoHS Test Report for this product can be obtained at Download Center.
2. **REACH COMPLIANCE:** REACH substances of high concern (SVHCs) information is available for this product. Since the European Chemical Agency (ECHA) has published notice of their intent to frequently revise the SVHC listing for the foreseeable future, REACH Test Report for this product can be obtained at Download Center.
3. All Product parametric performance is indicated in the Electrical Characteristics for the listed herein test conditions, unless otherwise noted. Product performance may not be indicated by the Electrical Characteristics if operated under different conditions.
4. NextGen Component, Inc (*NextGen*) reserves the right to make changes to this document and its products and specifications at any time without notice. Customers should obtain and confirm the latest product information and specifications before final design, purchase or use.
5. *NextGen* makes no warranty, representation or guarantee regarding the suitability of its products for any particular purpose, not does *NextGen* assume any liability for application assistance or customer product design.
6. *NextGen* does not warrant or accept any liability with products which are purchased or used for any unintended or unauthorized application. No license is granted by implication or otherwise under any intellectual property rights of NextGen.
7. *NextGen* products are not authorized for use as critical components in life support devices or systems without express written approval by *NextGen*.
8. *NextGen* requires that customers first obtain an RMA (Returned Merchandise Authorization) number prior to returning any products. Returns must be made within 30 days of the date of invoice, be in the original packaging, unused and like-new condition. At the time of quoting or purchasing, a product may say that it is Non-Cancelable/ Non-Returnable (NCNR). These products are not returnable and not refundable.