




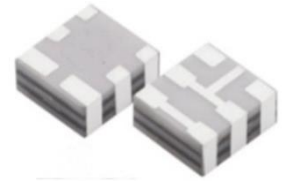
<b>SPECIFICATION SHEET NO.</b>	R1010- FF10M70000SA20	
<b>ORIGINAL MFG/PART NO</b>	TGS Crystals/CF33 10.7MA20 TLH/LTCS10.7MA20/LTCS10.7MA20UAC0-R0	
<b>DATE</b>	Oct. 10, 2024	
<b>REVISION</b>	A4	Updated With Most Recent Data
<b>DESCRIPTION AND MAIN PARAMETRICS</b>	<p>MHz SMD Ceramic Filter, 4 Pads, FF Series            Case 3431, Dimension L3.45*W3.1*H1.4mm            10.7MHz, Insertion Loss. 3.0±2.0dB Max.            3dB Band Width kHz (Min.) 330±50KHz; Input/Output Impedance: 330Ω,            Operating Temp. Range -20°C ~+80°C; Reflow Profile Condition 260 °C Max.            Package in Tape/Reel, 1000pcs/Reel            REACH/RoHS/RoHS III Compliant, RoHS Annex III lead Exemption            (Exempt per RoHS EU 2015/863)</p>	
<b>CUSTOMER</b>		
<b>CUSTOMER PART NUMBER</b>		
<b>CROSS REF. PART NUMBER</b>		
<b>MEMO</b>		

<b>VENDOR APPROVE</b>			
Issued/Checked/Approved			
Date: Oct. 10, 2024			

<b>CUSTOMER APPROVE</b>	
Date:	

**MAIN FEATURE**

- MHz SMD Ceramic Filter, 4 pads, Case 3431, Dimension L3.45\*W3.1\*H1.4mm
- Low Cost And Short Shipment
- Reflow Profile Condition 260 °C Max.
- Cross Main Competitors Parts SFECF series
- REACH/RoHS/RoHS III compliant, RoHS Annex III lead Exemption  
(Exempt per RoHS EU 2015/863)



*Image shown is a representation only. Exact specifications should be obtained from the product dimension.*

**APPLICATION**

- Communication Electronics

**HOW TO ORDER**

- Please follow up part code guide and indicate part code when you order or RFQ.



**PART CODE GUIDE**

**RFQ**  
[Request For Quotation](#)

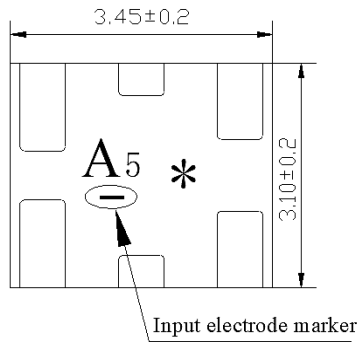
CODE	NAME	KEY SPECIFICATION OPTION
FF	Product Series	MHz SMD Ceramic Filter, 4 pads, Case 3431 Dimension L3.45*W3.1*H1.4mm
10M7	Frequency Range	10M7: 10.7000MHz
0000	Internal Control	Letter or Digits (A~Z, a~z or 1~9)
S	SMD Type Package	Tape/Reel
A20	Special Parametric	Letter or Digits (A~Z, a~z or 1~9)
- XX	Suffix	Blank: N/A XX: Internal Control Code, Letter A~Z, a~z or digits (0~9) for Special/Custom Parameters

**DIMENSION** (Unit: mm)

Case 3431, 4 Pads

L3.45\*W3.1\*H1.4mm

Top View



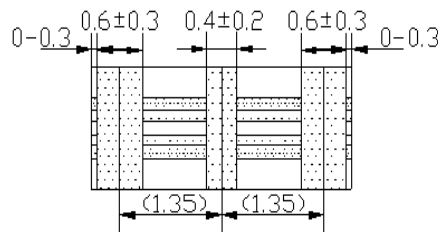
**Marking:**

See Page 5 Marking List

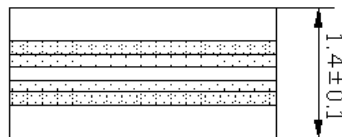
For different Part code

\*: QC Code

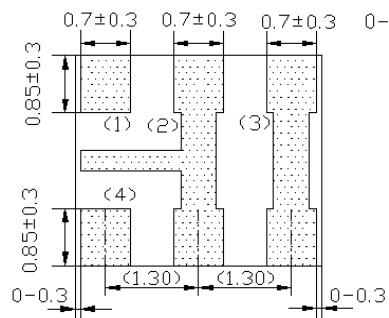
Side View



Side View



Bottom View

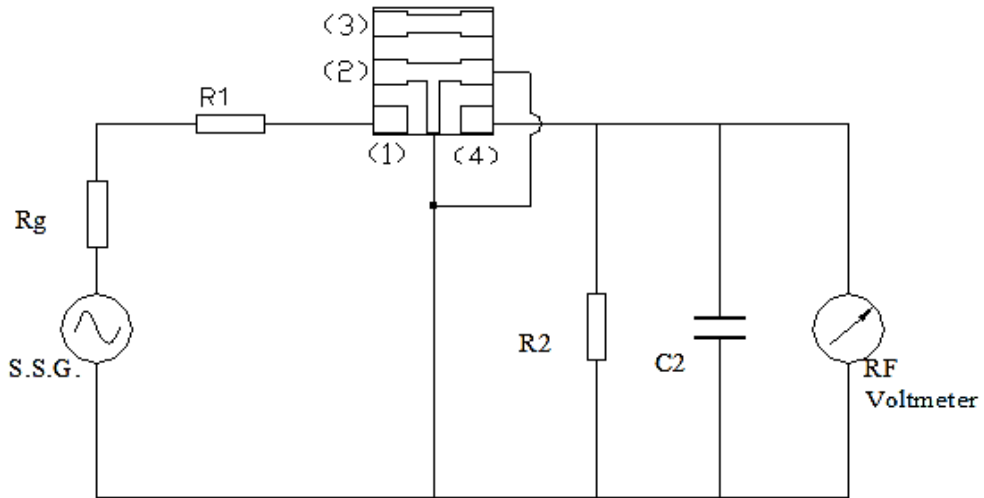


**Connection**

- (1): Pin 1: Input
- (2): Pin 2: Ground
- (3): Pin 3: Float (Signal Line)
- (4): Pin 4: Output

**MEASUREMENT**

- Parts shall be tested under the condition ( Temp.:  $20 \pm 15^{\circ}\text{C}$ , Humidity  $65 \pm 20\%$  R.H.) unless the standard condition (Temp.:  $25 \pm 3^{\circ}\text{C}$ , Humidity :  $65 \pm 10\%$  R.H.) is regulated to measure.
- Measuring Circuit



$R1=280\Omega$  ( $1\pm 5\%$ ),  $R2= 330\Omega$  ( $1\pm 5\%$ ),  $Rg=50\Omega$ ;  $C2=10\text{pF}$  (Including stray capacitance and input capacitance of RF voltmeter), S.S.G: Output Voltmeter; (1): Input; (2): Ground; (3): Float; (4): Output

**ELECTRICAL SPECIFICATIONS - Rating**

PARAMETER	SYMBOLS	VALUE	UNITS
Withstanding Voltage Max. @DC, 1 min.	-	50	V
Insulation Resistance Min. @10V, 1 min.	R <sub>i</sub>	100	mΩ
Operating Junction e Temperature Range	T <sub>J</sub>	-20 to +80	°C
Storage Temperature Range	T <sub>STG</sub>	-40 to +85	°C

**MAIN ELECTRICAL SPECIFICATIONS**

PARAMETER	SYMBOLS	VALUE	UNITS
Ripple Max (Within 3db Bandwidth)	-	1.0	dB
Spurious Attenuation Min. @9MHz-12MHz	-	30	dB
Input/Output Impedance	-	330	Ω
Temperature Characteristic @ -20°C to 80°C	-	±0.5	%

**ELECTRICAL CHARACTERISTICS - FOR DIFFERENT PART CODE**

PART CODE	Center Frequency (F <sub>0</sub> )	3dB Bandwidth Min.	20dB Bandwidth Max.	Insertion Loss @Min. Loss Point	Marking List
	MHz	KHz	KHz	dB	
FF10M70000S0S2	10.7±0.03	230±50	510	3.5±2.0	S2
FF10M70000S0S3	10.7±0.03	180±40	470	4.5±2.0	S3
FF10M70000S0A5	10.7±0.03	280±50	590	3.0±2.0	A5
<b>FF10M70000SA20</b>	10.7±0.03	330±50	700	3.0±2.0	A20

**RELIABILITY**

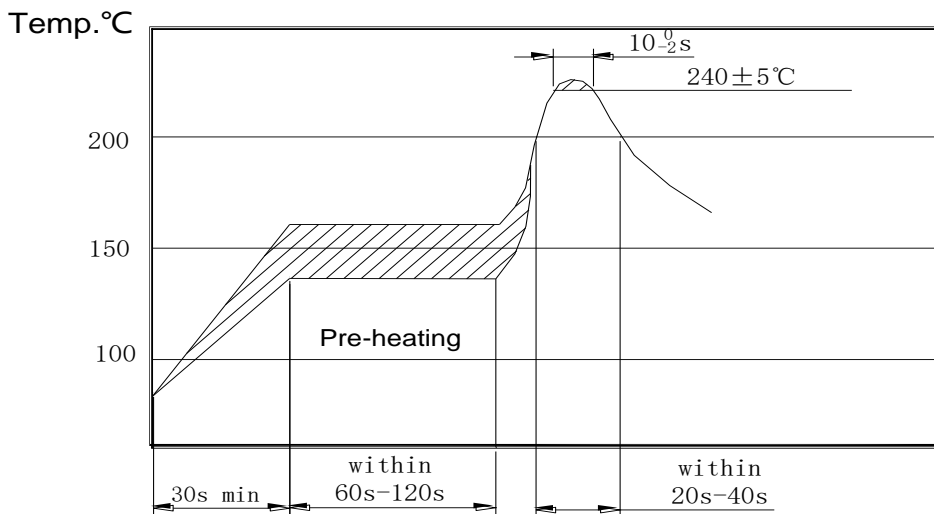
TEST ITEMS	TEST METHOD AND CONDITIONS	REQUIREMENT
Humidity	After being placed in a chamber with 90-95% R.H. at 40±2°C for 96 hours and then being placed in room temperature for 1 hour, filter shall be measured.	It shall meet Specification
High Temperature	After being placed in a chamber with 85±2 °C, for 96 hours and then being placed in room temperature for 1 hour, filter shall be measured.	It shall meet Specification
Low Temperature	After being placed in a chamber with -40±2 °C, for 96 hours and then being placed in room temperature for 1 hour, filter shall be measured.	It shall meet Specification
Temperature Cycling	After temperature cycling of blow table was performed 5 times, Filter shall be measured after being placed in natural conditions for 1h. Temp.: -20±3°C, Time: 30±3 min ; Temp.: -80±3°C, Time: 30±3 min.	It shall meet Specification
Vibration	Subject the filter to vibration for 2h. Each in x y and z axis with the amplitude of 1.5mm, The frequency shall be varied uniformly between the limits of 10Hz-55Hz-10Hz and then filter shall be measured.	It shall meet Specification
Mechanical Shock	Filter shall be measured after 3 times random dropping from the height of 1m on the wooden plate.	It shall meet Specification
Soldering Test	Passed through the reflow oven under the following condition, and left at room temp. for 24 hours before measurement.	It shall meet Specification
Solderability	Dipped in 235°C±5°C solder bath for 3s±0.5s with rosin flux (25wt% ethanol solution.) see <i>Suggested Reflow Profile</i>	The terminals shall be at least 95% covered by solder.
Board Bending	Mount on a glass-epoxy board (width =50mm, thickness=1.6mm), then bend it to 1mm displacement (velocity= 1mm/s) and keep it for 5s.	Mechanical damage such as break shall not occur

Table 1

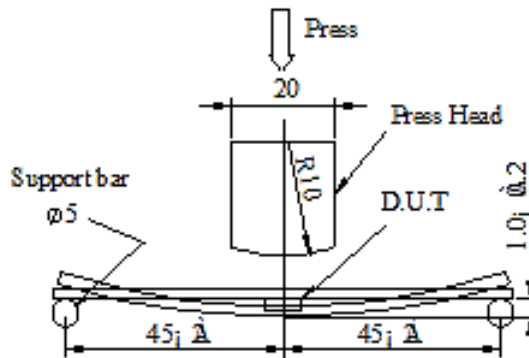
TEST ITEMS	CHARACTERISTICS AFTER TEST	
	VALUE	UNITS
Center Frequency Drift Max.	±30	kHz
Insertion Loss Drift Max.	±2.0	dB
3dB Bandwidth Drift Max.	±25	kHz
20dB Bandwidth Drift Max.	±60	kHz

Note: The limits in the above table are referenced to the initial measurements.

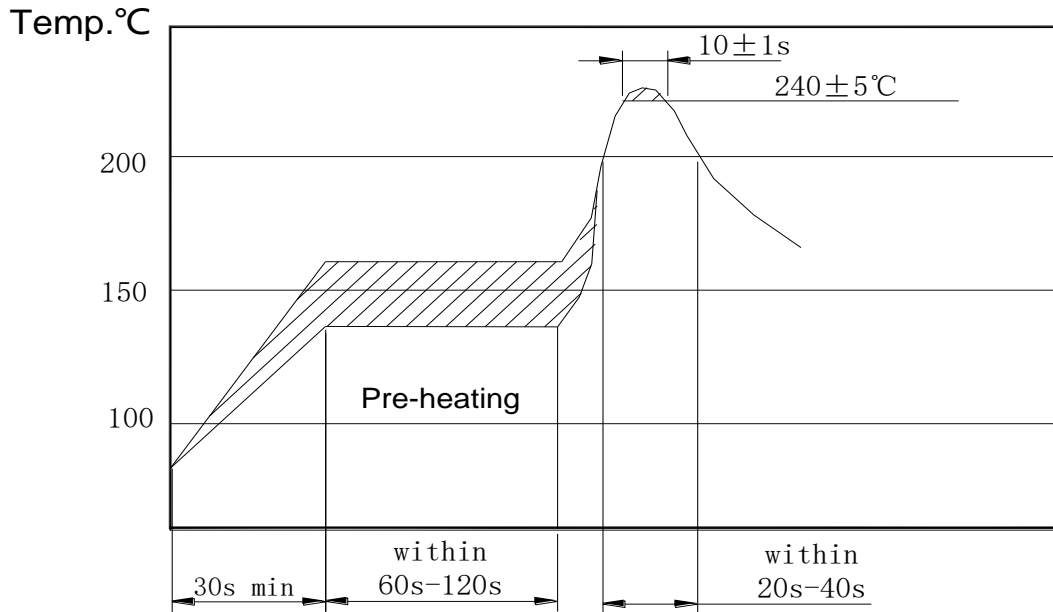
### Soldering Test



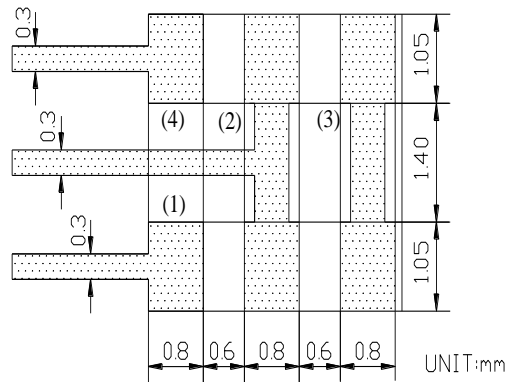
### Board Bending



**SUGGESTED REFLOW PROFILE** (For Reference Only)



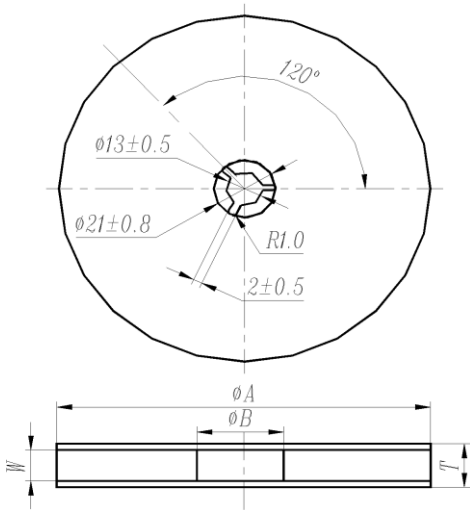
**RECOMMENDED LAND PATTERN**



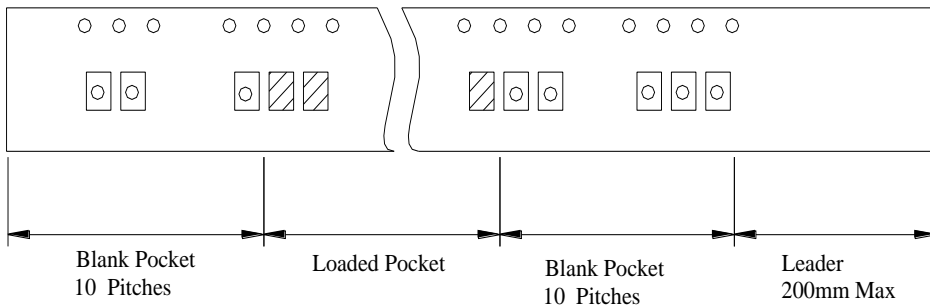
- (1): Input
- (2): Ground
- (3): Float (Signal Line)
- (4): Output



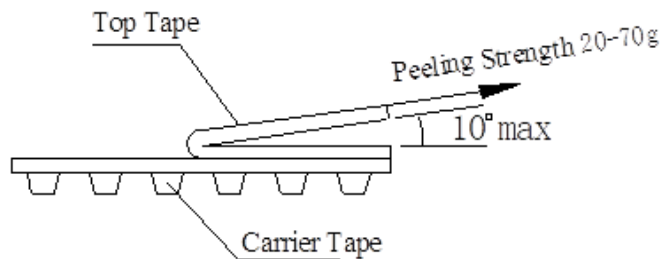
**TPAE/REEL DIMENSIONS** (Unit: mm)



Code	Dimension
$\phi A$	180 $\pm$ 3.0
$\phi B$	60 Min.
W	12.4 Min.
T	19.4 Max.
Qty. Per Reel	1000pcs
Carrier Tape Size	12



**TEST CONDITION OF PEELING STRENGTH**



## CAUTION

- Don't apply excess mechanical stress to the component and terminals at soldering. Do not use this product with bend.
- Do not clean or wash the component for it is not hermetically sealed.
- Do not use strong acidity flux, more than 0.2wt% chlorine content, in flow soldering.
- Don't be close to fire.
- This specification mentions the quality of the component as a single unit. Please insure the component is thoroughly evaluated in your application circuit
- Expire date (Shelf life) of the products is 12 months after delivery under the conditions of a sealed and an unopened package. Please use the products within 12 months after delivery. If you store the products for a long time (more than 12 months), use carefully because the products may be degraded in the solder-ability or rusty. Please confirm solder-ability and characteristics for the products regularly.
- Exposure components under soldering condition that is exceeding our recommendation will increase the failure dangerous.
- Please contact us before using the product as automobile electronic component.
- Please return one of these specifications after your signature of acceptance.
- When something gets doubtful with this specifications, we shall jointly work to get an agreement.
- For questions on technology, prices and delivery, please contact our sales offices or e-mail:  
[sales@NextGenComponent.com](mailto:sales@NextGenComponent.com) .

## IMPORTANT NOTES AND DISCLAIMER

1. **ROHS COMPLIANCE:** The levels of RoHS restricted materials in this product are below the maximum concentration values (also referred to as the threshold limits) permitted for such substances, or are used in an exempted application, in accordance with EU RoHS Directive (EU) 2015/863 EC (RoHS3). RoHS Test Report for this product can be obtained at Download Center.
2. **REACH COMPLIANCE:** REACH substances of high concern (SVHCs) information is available for this product. Since the European Chemical Agency (ECHA) has published notice of their intent to frequently revise the SVHC listing for the foreseeable future, REACH Test Report for this product can be obtained at Download Center.
3. All Product parametric performance is indicated in the Electrical Characteristics for the listed herein test conditions, unless otherwise noted. Product performance may not be indicated by the Electrical Characteristics if operated under different conditions.
4. NextGen Component, Inc (*NextGen*) reserves the right to make changes to this document and its products and specifications at any time without notice. Customers should obtain and confirm the latest product information and specifications before final design, purchase or use.
5. *NextGen* makes no warranty, representation or guarantee regarding the suitability of its products for any particular purpose, not does *NextGen* assume any liability for application assistance or customer product design.
6. *NextGen* does not warrant or accept any liability with products which are purchased or used for any unintended or unauthorized application. No license is granted by implication or otherwise under any intellectual property rights of NextGen.
7. *NextGen* products are not authorized for use as critical components in life support devices or systems without express written approval by *NextGen*.
8. *NextGen* requires that customers first obtain an RMA (Returned Merchandise Authorization) number prior to returning any products. Returns must be made within 30 days of the date of invoice, be in the original packaging, unused and like-new condition. At the time of quoting or purchasing, a product may say that it is Non-Cancelable/ Non-Returnable (NCNR). These products are not returnable and not refundable.