




SPECIFICATION SHEET NO.	S0120- DV10M7000050C1	
ORIGINAL MFG/PART NO	TGS Crystals/CDCV10.7MC1 TLH/JTCV10.7MC1/JTCV10.7MC1AUAD0-R0	
DATE	Jan. 20, 2025	
REVISION	A5	Updated With Most Recent Data
DESCRIPTION AND MAIN PARAMETRICS	<p>MHz SMD Ceramic Discriminator, 2 Pads, DV Series</p> <p>Case 3731, Dimension L3.7*W3.1*H1.4mm</p> <p>10.7MHz, Recovered Audio 3dB Band Width: 242KHz Min.</p> <p>Operating Temp. Range -25°C ~+85°C, Reflow Profile Condition 260 °C Max.</p> <p>Package in Tape/Reel, 1000pcs/Reel</p> <p>REACH/RoHS/RoHS III Compliant, RoHS Annex III lead Exemption (Exempt per RoHS EU 2015/863)</p>	
CUSTOMER		
CUSTOMER PART NUMBER		
CROSS REF. PART NUMBER		
MEMO		

VENDOR APPROVE			
Issued/Checked/Approved			
Date: Jan. 20, 2025			

CUSTOMER APPROVE
Date:

MAIN FEATURE

- MHz SMD Ceramic Discriminator, 2 pads, Case 3731
- Case Dimension L3.7*W3.1*H1.4mm
- Low Cost And Short Shipment
- Reflow Profile Condition 260 °C Max.
- REACH/RoHS/RoHS III compliant, RoHS Annex III lead Exemption
(Exempt per RoHS EU 2015/863)

APPLICATION

- Communication Electronics

ELECTRICAL CHARACTERISTICS

- See Page 6
- All Products Parameters are Subject To NextGen Components' Final Confirmation.



Image shown is a representation only. Exact specifications should be obtained from the product dimension.



HOW TO ORDER

- Please Follow Up Part Code Guide And Indicate NextGen Part Code DV10M70000S0C1 For RFQ and Order.

PART CODE GUIDE

RFQ
Request For Quotation

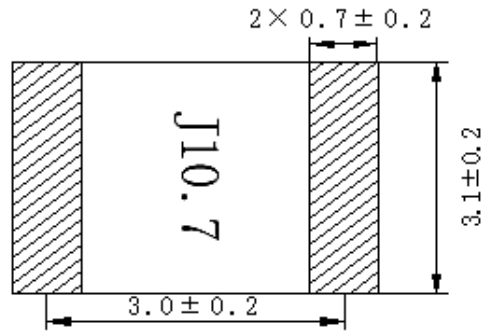
CODE	NAME	KEY SPECIFICATION OPTION
DV	Product Series	MHz SMD Ceramic Discriminator, 2 pads, Case 3731, Dimension L3.7*W3.1*H1.4mm
10M7	Frequency Range	10M7: 10.7000MHz
0000	Internal Control Code	Letter A~Z, a~z or digits (0~9)
S	SMD Type Package	Tape/Reel
0C1	Parameters Code	Special Parameters Code Letter A~Z, a~z or digits (1-9)
XX	Special/Custom Parameters Code	Blank: N/A XX: Letter A~Z, a~z or digits (0~9) for Special/Custom Parameters

DIMENSION (Unit: mm)

Case 3731, 2Pads

L3.7*W3.1*H1.4mm

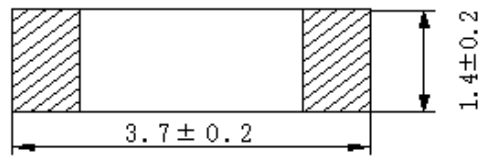
Top View



Marking:

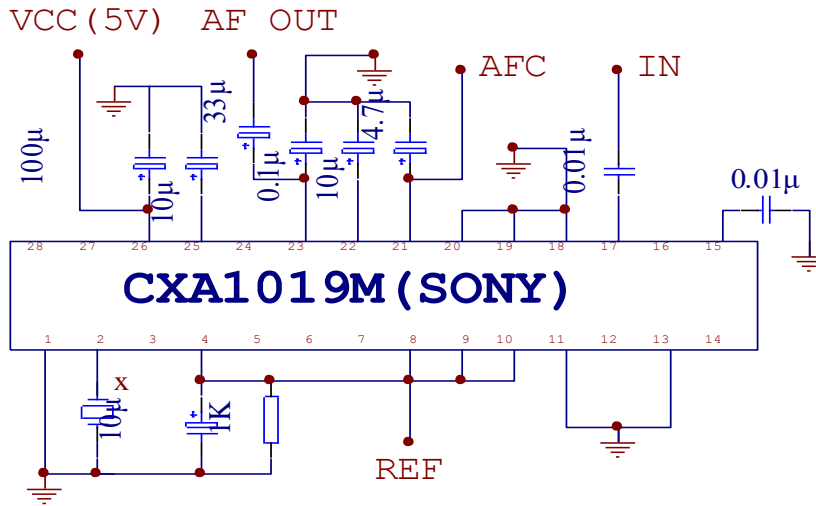
J10.7 + QC Code

Side View



MEASUREMENT

- Parts shall be tested under the condition (Temp.: $20 \pm 15^\circ\text{C}$, Humidity $65 \pm 20\%$ R.H.) unless the standard condition (Temp.: $25 \pm 2^\circ\text{C}$, Humidity : $65 \pm 5\%$ R.H.) is regulated to measure.
- Measuring Circuit



- Input Signal: Input Level: 80dBµV; Modulation Frequency: 400Hz; Frequency Deviation: $\pm 22.5\text{kHz}$
- Center Frequency (f_0): Center frequency is defined as the frequency at that AFC output Voltage equal to REF output.
- Recovered Audio Voltage: It is defined as the recovered audio voltage at center frequency (f_0).
- Distortion: It is defined as the distortion at center frequency (f_0).
- Recovered Audio 3dB Bandwidth: It is defined as the difference between the two frequencies where the recovered audio voltage 3dB from the level of center frequency (f_0).

ELECTRICAL SPECIFICATIONS - Rating

PARAMETER	SYMBOLS	VALUE	UNITS	CONDITION
Withstanding Voltage	-	50 Max.	V	@DC, 1 min.
Insulation Resistance	R _i	100 Min.	mΩ	@10V, 1 min.
Operating Temperature Range	T _J	-25 to +85	°C	
Storage Temperature Range	T _{STG}	-40 to +85	°C	

ELECTRICAL CHARACTERISTICS

PARAMETER	SYMBOLS	VALUE	UNITS	CONDITION
Center Frequency	f ₀	10.7 ± 0.03	MHz	
Recovered Audio Voltage		35 Min.	mV	@ f ₀
Distortion		1.0 Max.	%	@ f ₀
Recovered Audio		242 Min.	KHz	@ 3dB Bandwidth
Temp. Coefficient of Frequency		±100 Max.	ppm/°C	(Center Frequency drift, -25°C ~ +85°C)

RELIABILITY

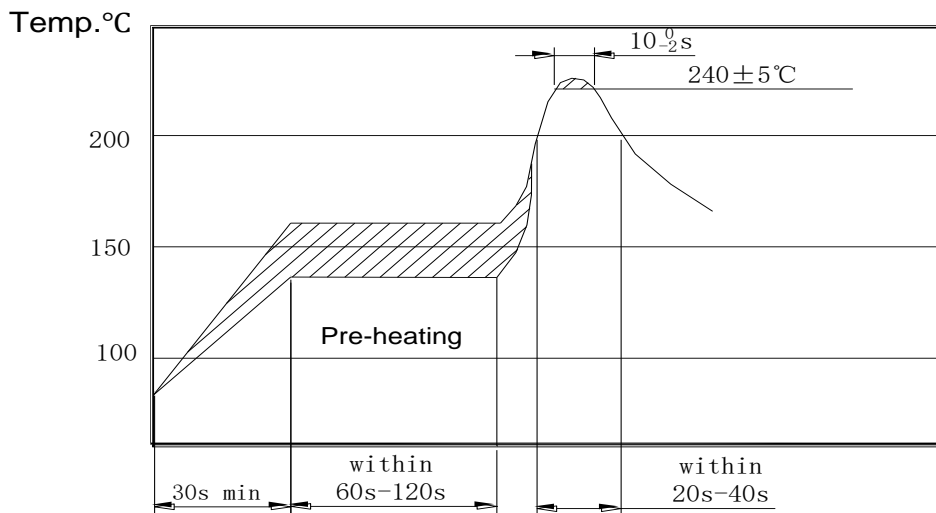
TEST ITEMS	TEST METHOD AND CONDITIONS	REQUIREMENT
Humidity	Subject the discriminator at $40 \pm 2^{\circ}\text{C}$ and 90%-95% R.H. for 96h, discriminator shall be measured after being placed in natural conditions for 1h.	It shall fulfill Table 1
High Temperature	Subject the discriminator to $85 \pm 2^{\circ}\text{C}$ for 96h, discriminator shall be measured after being placed in natural conditions for 1h.	It shall fulfill Table 1
Low Temperature	Subject the discriminator to $-40 \pm 2^{\circ}\text{C}$ for 96h, discriminator shall be measured after being placed in natural conditions for 1h.	It shall fulfill Table 1
Temperature Cycling	After temperature cycling of blow table was performed 5 times, discriminator shall be measured after being placed in natural conditions for 1h. Temp.: $-25 \pm 3^{\circ}\text{C}$, Time: 30 ± 3 min ; Temp.: $85 \pm 3^{\circ}\text{C}$, Time: 30 ± 3 min.	It shall fulfill Table 1
Vibration	Subject the discriminator to vibration for 2h.Each in x y and z axis with the amplitude of 1.5mm, The frequency shall be varied uniformly between the limits of 10Hz-55Hz-10Hz and then discriminator shall be measured.	It shall fulfill Table 1
Mechanical Shock	Discriminator shall be measured after 3 times random dropping from the height of 1m on the wooden plate.	No visible damage and it shall fulfill Table 1.
Soldering Test	Passed through the reflow oven under the following condition, and left at room temp. for 1 hours before measurement.	It shall fulfill Table 1
Solderability	Lead terminals are immersed up to 2mm from filter's body in soldering bath of $235^{\circ}\text{C} \pm 5^{\circ}\text{C}$ for $3\text{s} \pm 0.5\text{s}$. see <i>Suggested Reflow Profile</i>	More than 95% of the terminal surface of the discriminator shall be covered with fresh solder.
Board Bending	Mount on a glass-epoxy board(width =50mm, thickness=1.6mm),then bend it to 1mm displacement(velocity= 1mm/s) and keep it for 5s.	Mechanical damage such as break shall not occur

Table 1

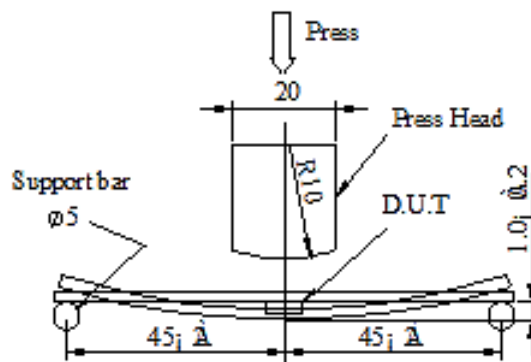
TEST ITEMS	CHARACTERISTICS AFTER TEST	
	VALUE	UNITS
Center Frequency Drift	±30 Max.	kHz
Recovered Audio Voltage	±2.0 Max.	dB

Note: The limits in the above table are referenced to the initial measurements.

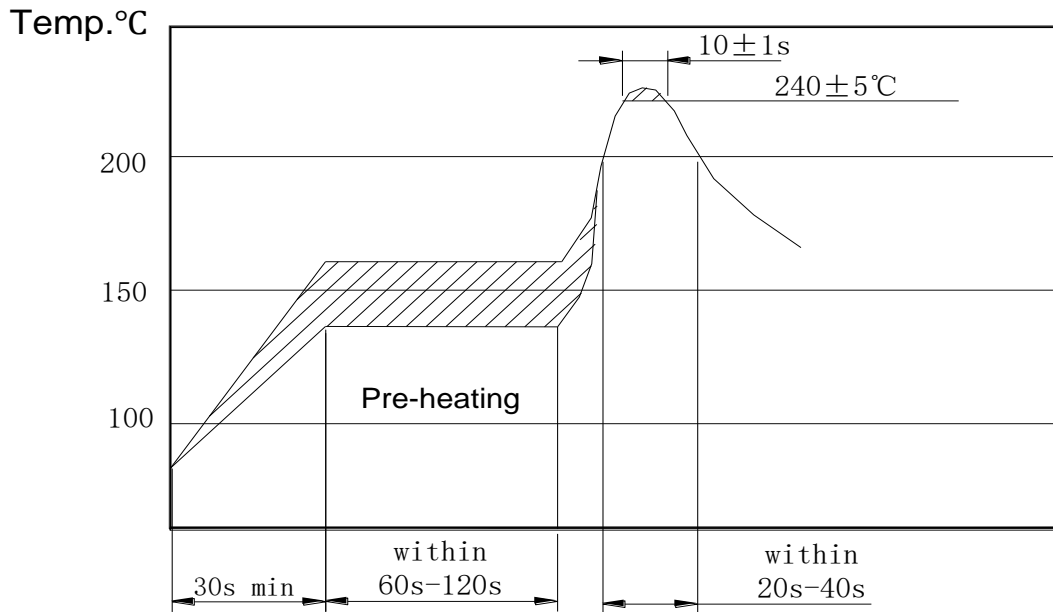
Soldering Test



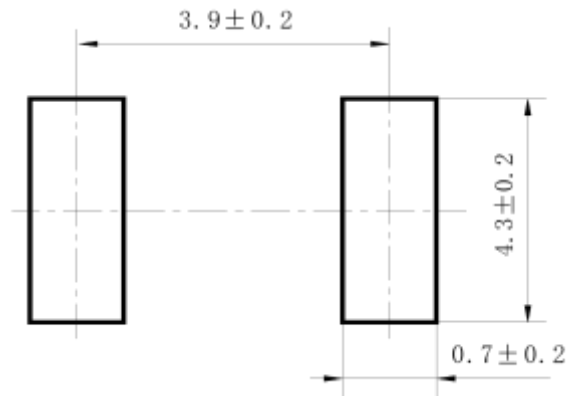
Board Bending



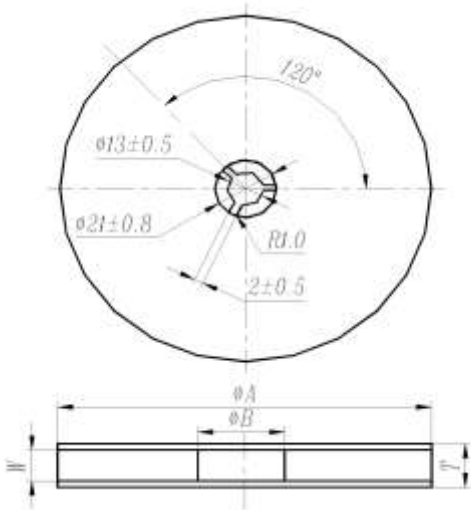
SUGGESTED REFLOW PROFILE (For Reference Only)



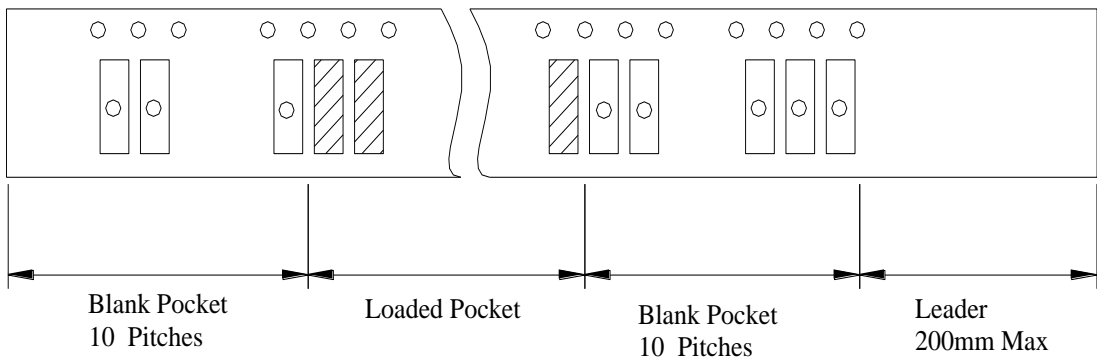
RECOMMENDED LAND PATTERN



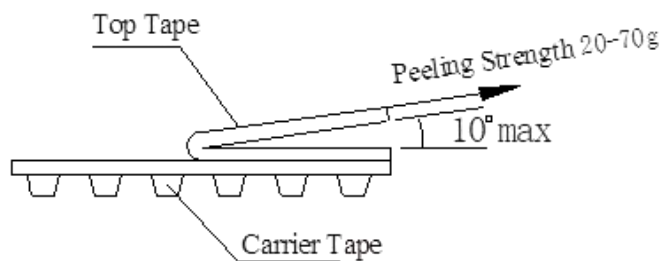
TPAE/REEL DIMENSIONS (Unit: mm)



Code	Dimension
φA	180±3.0
φB	60 Min.
W	12.4 Min.
T	19.4 Max.
Qty. Per Reel	1000pcs
Carrier Tape Size	12



TEST CONDITION OF PEELING STRENGTH



CAUTION

- Don't apply excess mechanical stress to the component and terminals at soldering. Do not use this product with bend.
- Do not clean or wash the component for it is not hermetically sealed.
- Do not use strong acidity flux, more than 0.2wt% chlorine content, in flow soldering.
- Don't be close to fire.
- This specification mentions the quality of the component as a single unit. Please insure the component is thoroughly evaluated in your application circuit
- Expire date (Shelf life) of the products is 12 months after delivery under the conditions of a sealed and an unopened package. Please use the products within 12 months after delivery. If you store the products for a long time (more than 12 months), use carefully because the products may be degraded in the solder-ability or rusty. Please confirm solder-ability and characteristics for the products regularly.
- Exposure components under soldering condition that is exceeding our recommendation will increase the failure dangerous.
- Please contact us before using the product as automobile electronic component.
- Please return one of these specifications after your signature of acceptance.
- When something gets doubtful with this specifications, we shall jointly work to get an agreement.
- For questions on technology, prices and delivery, please contact our sales offices or e-mail:
sales@NextGenComponent.com .

IMPORTANT NOTES AND DISCLAIMER

1. **ROHS COMPLIANCE:** The levels of RoHS restricted materials in this product are below the maximum concentration values (also referred to as the threshold limits) permitted for such substances, or are used in an exempted application, in accordance with EU RoHS Directive (EU) 2015/863 EC (RoHS3). RoHS Test Report for this product can be obtained at Download Center.
2. **REACH COMPLIANCE:** REACH substances of high concern (SVHCs) information is available for this product. Since the European Chemical Agency (ECHA) has published notice of their intent to frequently revise the SVHC listing for the foreseeable future, REACH Test Report for this product can be obtained at Download Center.
3. All Product parametric performance is indicated in the Electrical Characteristics for the listed herein test conditions, unless otherwise noted. Product performance may not be indicated by the Electrical Characteristics if operated under different conditions.
4. NextGen Component, Inc (*NextGen*) reserves the right to make changes to this document and its products and specifications at any time without notice. Customers should obtain and confirm the latest product information and specifications before final design, purchase or use.
5. *NextGen* makes no warranty, representation or guarantee regarding the suitability of its products for any particular purpose, not does *NextGen* assume any liability for application assistance or customer product design.
6. *NextGen* does not warrant or accept any liability with products which are purchased or used for any unintended or unauthorized application. No license is granted by implication or otherwise under any intellectual property rights of NextGen.
7. *NextGen* products are not authorized for use as critical components in life support devices or systems without express written approval by *NextGen*.
8. *NextGen* requires that customers first obtain an RMA (Returned Merchandise Authorization) number prior to returning any products. Returns must be made within 30 days of the date of invoice, be in the original packaging, unused and like-new condition. At the time of quoting or purchasing, a product may say that it is Non-Cancelable/ Non-Returnable (NCNR). These products are not returnable and not refundable.