

<b>SPECIFICATION SHEET NO.</b>	S0123 – RA65M53600L101	
<b>ORIGINAL MFG/PART NO.</b>	TGS Crystals/CO1450BGI00 BLF-65M5360	
<b>NEXTGEN PART CODE</b>	RA65M53600L101	Indicate This Code For <a href="#">RFQ</a> Order
<b>DATE</b>	Jan. 23, 2025	
<b>REVISION</b>	A3	Updated With Most Recent Data
<b>DESCRIPTION AND MAIN PARAMETRICS</b>	<p>MHz Thru-Hole Crystal Oscillator Full-Size/14 Pin, RA series,            Dimension L20.4*W12.8*H5.08mm            65.536MHz, Supply Voltage 5.0V, Tolerance ±50ppm,            Symmetry 45/55; Operating Temp. Range -40°C ~+85°C,            Output Waveform TTL, Load 15pF, Tristate Function - Disable,            Package in Tube, 25pcs/Tube            REACH/RoHS/RoHS III compliant</p>	
<b>CUSTOMER</b>		
<b>CUSTOMER PART NUMBER</b>		
<b>CROSS REF. PART NUMBER</b>		
<b>MEMO</b>		

<b>VENDOR APPROVE</b>		
Issued/Checked/Approved		 
Effective Date: Jan. 23, 2025		

<b>CUSTOMER APPROVE</b>	
Date:	

## MAIN FEATURE

- MHz Thru-hole Crystal Oscillator, Full Size/14 Pin
- Dimension L20.4\*W12.8\*H5.08mm
- Industry-standard
- Hermetically Sealed Package For Reliability
- Tristate Function – Enable/Disable or Tri-State(Output Enable) Via Pin 1
- Cross More Competitor's Part
- REACH/RoHS/RoHS III Compliant



*Image shown is a representation only. Exact specifications should be obtained from the product dimension.*

## APPLICATION

- Wireless Devices
- Internet Of Things (IoT) Devices
- Ethernet/Gigabit Ethernet
- Audio, Video, Gaming Products
- Micro Base Station



## ELECTRICAL CHARACTERISTICS

- See Page 6 ~ Page 26 For Different Part Code.
- All Products Parameters are Subject To NextGen Components' Final Confirmation.

**HOW TO ORDER**

- Please Follow Up Part Code Guide And Indicate NextGen Part Code RA65M53600L101 For RFQ and Order.

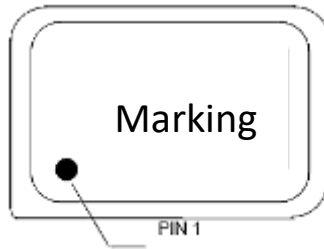
**PART CODE GUIDE**

**RFQ**  
[Request For Quotation](#)

CODE	NAME	KEY SPECIFICATION OPTION
RA	Series Code	MHz Thru-Hole Crystal Oscillator Full -Size/14 Pin, Dimension L20.4*W12.8*H5.08mm
65M536	Frequency Range Code	65M536: 65.536MHz or Custom Frequency Range
00L	Internal Control Code	Letter A~Z, a~z or Digits (0~9)
101	Parameters Code	Special Parameters Code Letter A~Z, a~z or Digits (1-9)
XX	Special/Custom Parameters Code	Blank: N/A XX: Letter A~Z, a~z or Digits (0~9) for Special/Custom Parameters

**DIMENSION** (Unit: mm)

Top View



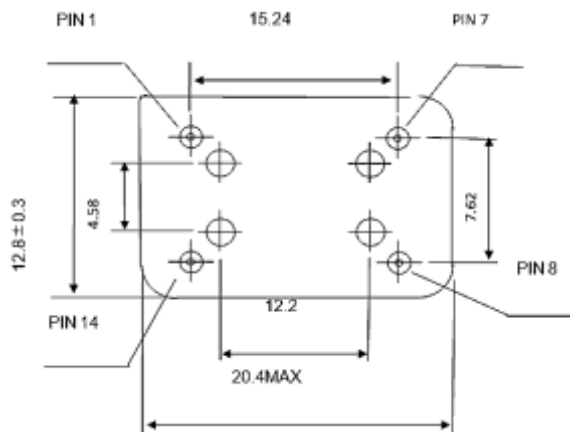
Marking:

Standard

Side View



Bottom View



Pin Function

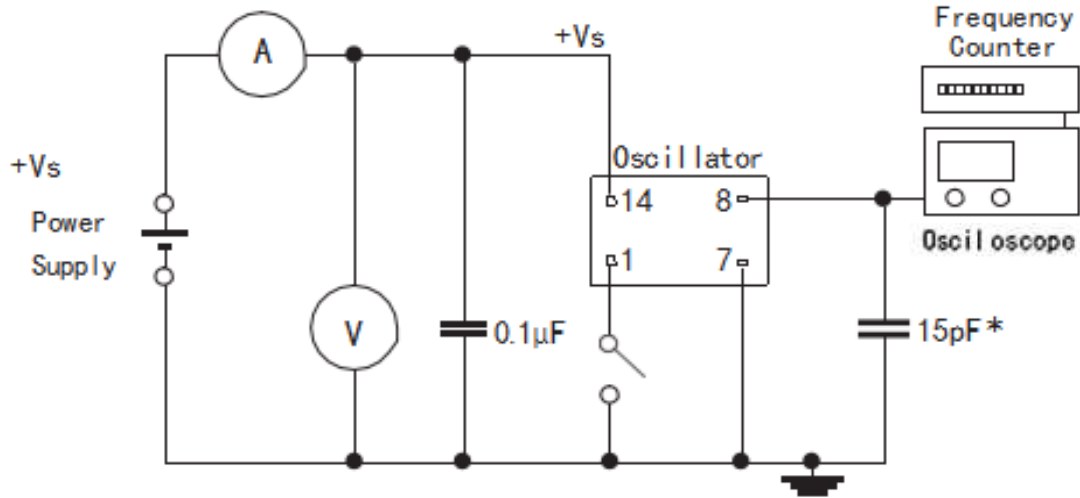
# 1 Tristate Enable Via #1

# 7 Ground

# 8 Output

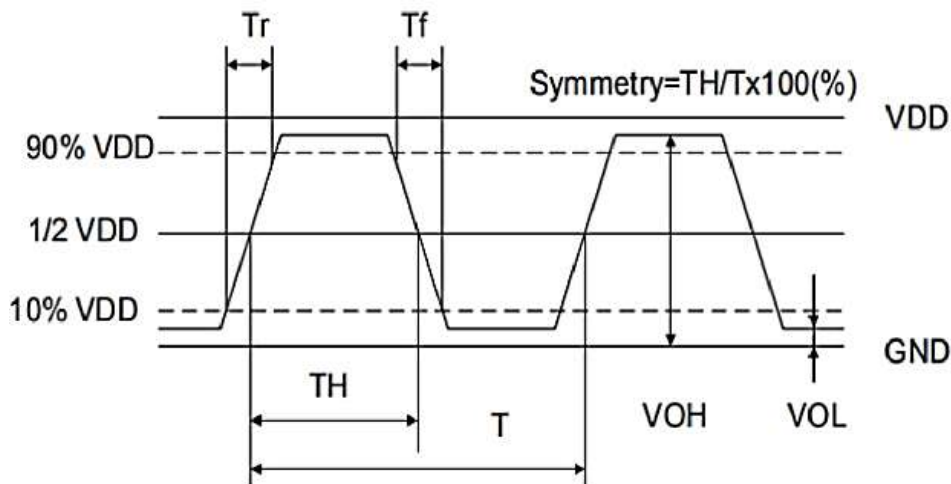
# 14 VDD

**CIRCUIT PRINCIPLE – For Reference**



**WAVEFORM CONDITIONS**

- Waveform measurement system should have a Min bandwidth of times the frequency being tested



**GENERAL SPECIFICATION**

PARAMETER	SYMBOL	VALUE			UNIT	CONDITION
		MIN.	TYPE	MAX.		
Frequency Range	F0	0.5		160.0	MHz	Please specify
Supply Voltage		1.8, 2.5, 3.3, 5.0			V	Please specify
Frequency Tolerance	$\Delta F/F0$	$\pm 20$	-	$\pm 50$	ppm	at 25°C $\pm 10^\circ\text{C}$
Tristate Function		Disable or Tri-State (Output Enable) Via Pin 1				Please specify
Operating Temp. Range	TOPR	-40	-	+85	°C	
Storage Temp. Range	TSTG	-55	-	+125	°C	
Symmetry	%	45		55		Max.@(1/2 VDC)
Output	VOH	90%			V	V <sub>DD</sub> (Min.)/2.4V
	VOL			10%	V	V <sub>DD</sub> (Max.)/0.4V
	Load	15, 30, 50			pF	Please specify
Output Waveform		TTL, HCMOS				Please specify
Startup Time				5	ms	
Supply Current		30		80	mA	See Table 1
Rise/ Fall time				10	ns	@ 0.5-4.5 V <sub>DC</sub>
Phase Jitter	ps	Standard				
Aging per year	Fa	-5	-	+5	ppm	

Table 1

FREQUENCY RANGE	SUPPLY CURRENT
1MHz ≤ Frequency < 40MHz	30 mA
40MHz ≤ Frequency < 80MHz	60 mA
80MHz ≤ Frequency < 160MHz	80 mA

**ELECTRICAL PARAMETERS – FOR DIFFERENT PART CODE- Ta = 25°C**

PART CODE	FREQUENCY RANGE	SUPPLY VOLTAGE	FREQUENCY TOLERANCE	OUTPUT WAVEFORM	OUTLOAD	TRISTATE FUNCTION
	MHz	V	ppm		pF	
RA500K0000L311	0.500000	3.3	±50	HCMOS	15	Tri-State (Output Enable)
RA500K0000L313	0.500000	3.3	±50	HCMOS	30	Tri-State (Output Enable)
RA500K0000L315	0.500000	3.3	±50	HCMOS	50	Tri-State (Output Enable)
RA500K0000L501	0.500000	5.0	±30	HCMOS	15	Enable/Disable
RA500K0000L511	0.500000	5.0	±50	HCMOS	15	Tri-State (Output Enable)
RA500K0000L100	0.500000	5.0	±50	HCMOS	15	Enable/Disable
RA500K0000L513	0.500000	5.0	±50	HCMOS	30	Tri-State (Output Enable)
RA500K0000L515	0.500000	5.0	±50	HCMOS	50	Tri-State (Output Enable)
RA1M000000L311	1.000000	3.3	±50	HCMOS	15	Tri-State (Output Enable)
RA1M000000L313	1.000000	3.3	±50	HCMOS	30	Tri-State (Output Enable)
RA1M000000L315	1.000000	3.3	±50	HCMOS	50	Tri-State (Output Enable)
RA1M000000L511	1.000000	5.0	±50	HCMOS	15	Tri-State (Output Enable)
RA1M000000L513	1.000000	5.0	±50	HCMOS	30	Tri-State (Output Enable)
RA1M000000L515	1.000000	5.0	±50	HCMOS	50	Tri-State (Output Enable)
RA1M228800L311	1.228800	3.3	±50	HCMOS	15	Tri-State (Output Enable)
RA1M228800L313	1.228800	3.3	±50	HCMOS	30	Tri-State (Output Enable)
RA1M228800L315	1.228800	3.3	±50	HCMOS	50	Tri-State (Output Enable)
RA1M228800L511	1.228800	5.0	±50	HCMOS	15	Tri-State (Output Enable)
RA1M228800L513	1.228800	5.0	±50	HCMOS	30	Tri-State (Output Enable)
RA1M228800L515	1.228800	5.0	±50	HCMOS	50	Tri-State (Output Enable)

**ELECTRICAL PARAMETERS – FOR DIFFERENT PART CODE- Ta = 25°C**

PART CODE	FREQUENCY RANGE	SUPPLY VOLTAGE	FREQUENCY TOLERANCE	OUTPUT WAVEFORM	OUTLOAD	TRISTATE FUNCTION
	MHz	V	ppm		pF	
RA1M544000L311	1.544000	3.3	±50	HCMOS	15	Tri-State (Output Enable)
RA1M544000L313	1.544000	3.3	±50	HCMOS	30	Tri-State (Output Enable)
RA1M544000L315	1.544000	3.3	±50	HCMOS	50	Tri-State (Output Enable)
RA1M843200L001	1.843200	3.3	±50	TTL	15	Enable/Disable
RA1M843200L311	1.843200	3.3	±50	HCMOS	15	Tri-State (Output Enable)
RA1M843200L313	1.843200	3.3	±50	HCMOS	30	Tri-State (Output Enable)
RA1M843200L315	1.843200	3.3	±50	HCMOS	50	Tri-State (Output Enable)
RA1M843200L501	1.843200	5.0	±50	HCMOS	15	Enable/Disable
RA1M843200L511	1.843200	5.0	±50	HCMOS	15	Tri-State (Output Enable)
RA1M843200L513	1.843200	5.0	±50	HCMOS	30	Tri-State (Output Enable)
RA1M843200L515	1.843200	5.0	±30	HCMOS	50	Tri-State (Output Enable)
RA1M843200L100	1.843200	5.0	±50	HCMOS	50	Tri-State (Output Enable)
RA2M000000L103	2.000000	5.0	±50	HCMOS	15	Enable/Disable
RA2M048000L001	2.048000	5.0	±50	TTL	15	Enable/Disable
RA2M048000L311	2.048000	3.3	±50	HCMOS	15	Tri-State (Output Enable)
RA2M048000L313	2.048000	3.3	±50	HCMOS	30	Tri-State (Output Enable)
RA2M048000L315	2.048000	3.3	±50	HCMOS	50	Tri-State (Output Enable)
RA2M048000L511	2.048000	5.0	±50	HCMOS	15	Tri-State (Output Enable)
RA2M048000L513	2.048000	5.0	±50	HCMOS	30	Tri-State (Output Enable)
RA2M048000L515	2.048000	5.0	±30	HCMOS	50	Tri-State (Output Enable)



**ELECTRICAL PARAMETERS – FOR DIFFERENT PART CODE- Ta = 25°C**

PART CODE	FREQUENCY RANGE	SUPPLY VOLTAGE	FREQUENCY TOLERANCE	OUTPUT WAVEFORM	OUTLOAD	TRISTATE FUNCTION
	MHz	V	ppm		pF	
RA2M457600L100	2.457600	5.0	±50	HCMOS	50	Tri-State (Output Enable)
RA2M457600L311	2.457600	3.3	±50	HCMOS	15	Tri-State (Output Enable)
RA2M457600L313	2.457600	3.3	±50	HCMOS	30	Tri-State (Output Enable)
RA2M457600L315	2.457600	3.3	±50	HCMOS	50	Tri-State (Output Enable)
RA2M457600L511	2.457600	5.0	±50	HCMOS	15	Tri-State (Output Enable)
RA2M457600L513	2.457600	5.0	±50	HCMOS	30	Tri-State (Output Enable)
RA2M457600L515	2.457600	5.0	±30	HCMOS	50	Tri-State (Output Enable)
RA3M072000L311	3.072000	3.3	±50	HCMOS	15	Tri-State (Output Enable)
RA3M072000L313	3.072000	3.3	±50	HCMOS	30	Tri-State (Output Enable)
RA3M072000L315	3.072000	3.3	±50	HCMOS	50	Tri-State (Output Enable)
RA3M072000L511	3.072000	5.0	±50	HCMOS	15	Tri-State (Output Enable)
RA3M072000L513	3.072000	5.0	±50	HCMOS	30	Tri-State (Output Enable)
RA3M072000L515	3.072000	5.0	±30	HCMOS	50	Tri-State (Output Enable)
RA3M072000L100	3.072000	5.0	±50	HCMOS	50	Tri-State (Output Enable)
RA3M579545L311	3.579545	3.3	±50	HCMOS	15	Tri-State (Output Enable)
RA3M579545L313	3.579545	3.3	±50	HCMOS	30	Tri-State (Output Enable)
RA3M579545L315	3.579545	3.3	±50	HCMOS	50	Tri-State (Output Enable)
RA3M579545L511	3.579545	5.0	±50	HCMOS	15	Tri-State (Output Enable)
RA3M579545L513	3.579545	5.0	±50	HCMOS	30	Tri-State (Output Enable)
RA3M579545L515	3.579545	5.0	±50	HCMOS	50	Tri-State (Output Enable)

**ELECTRICAL PARAMETERS – FOR DIFFERENT PART CODE- Ta = 25°C**

PART CODE	FREQUENCY RANGE	SUPPLY VOLTAGE	FREQUENCY TOLERANCE	OUTPUT WAVEFORM	OUTLOAD	TRISTATE FUNCTION
	MHz	V	ppm		pF	
RA3M686400L100	3.686400	5.0	±50	HCMOS	50	Tri-State (Output Enable)
RA3M686400L311	3.686400	3.3	±50	HCMOS	15	Tri-State (Output Enable)
RA3M686400L313	3.686400	3.3	±50	HCMOS	30	Tri-State (Output Enable)
RA3M686400L315	3.686400	3.3	±50	HCMOS	50	Tri-State (Output Enable)
RA3M686400L511	3.686400	5.0	±50	HCMOS	15	Tri-State (Output Enable)
RA3M686400L513	3.686400	5.0	±50	HCMOS	30	Tri-State (Output Enable)
RA3M686400L515	3.686400	5.0	±30	HCMOS	50	Tri-State (Output Enable)
RA4M000000L100	4.000000	5.0	±50	HCMOS	50	Tri-State (Output Enable)
RA4M000000L311	4.000000	3.3	±50	HCMOS	15	Tri-State (Output Enable)
RA4M000000L313	4.000000	3.3	±50	HCMOS	30	Tri-State (Output Enable)
RA4M000000L315	4.000000	3.3	±50	HCMOS	50	Tri-State (Output Enable)
RA4M000000L501	4.000000	5.0	±50	HCMOS	15	Enable/Disable
RA4M000000L101	4.000000	5.0	±50	HCMOS	15	Enable/Disable
RA4M000000L511	4.000000	5.0	±30	HCMOS	15	Tri-State (Output Enable)
RA4M000000L513	4.000000	5.0	±50	HCMOS	30	Tri-State (Output Enable)
RA4M000000L515	4.000000	5.0	±30	HCMOS	50	Tri-State (Output Enable)
RA4M096000L100	4.096000	5.0	±50	HCMOS	50	Tri-State (Output Enable)
RA4M096000L311	4.096000	3.3	±50	HCMOS	15	Tri-State (Output Enable)
RA4M096000L313	4.096000	3.3	±50	HCMOS	30	Tri-State (Output Enable)
RA4M096000L315	4.096000	3.3	±50	HCMOS	50	Tri-State (Output Enable)

**ELECTRICAL PARAMETERS – FOR DIFFERENT PART CODE- Ta = 25°C**

PART CODE	FREQUENCY RANGE	SUPPLY VOLTAGE	FREQUENCY TOLERANCE	OUTPUT WAVEFORM	OUTLOAD	TRISTATE FUNCTION
	MHz	V	ppm		pF	
RA4M096000L511	4.096000	5.0	±50	HCMOS	15	Tri-State (Output Enable)
RA4M096000L513	4.096000	5.0	±50	HCMOS	30	Tri-State (Output Enable)
RA4M096000L515	4.096000	5.0	±30	HCMOS	50	Tri-State (Output Enable)
RA4M915200L100	4.915200	5.0	±50	HCMOS	50	Tri-State (Output Enable)
RA4M915200L101	4.915200	3.3	±50	TTL	15	Tri-State (Output Enable)
RA4M915200L311	4.915200	3.3	±30	HCMOS	15	Tri-State (Output Enable)
RA4M915200L313	4.915200	3.3	±50	HCMOS	30	Tri-State (Output Enable)
RA4M915200L315	4.915200	3.3	±50	HCMOS	50	Tri-State (Output Enable)
RA4M915200L511	4.915200	5.0	±50	HCMOS	15	Tri-State (Output Enable)
RA4M915200L513	4.915200	5.0	±50	HCMOS	30	Tri-State (Output Enable)
RA4M915200L515	4.915200	5.0	±30	HCMOS	50	Tri-State (Output Enable)
RA5M000000L311	5.000000	3.3	±50	HCMOS	15	Tri-State (Output Enable)
RA5M000000L313	5.000000	3.3	±50	HCMOS	30	Tri-State (Output Enable)
RA5M000000L315	5.000000	3.3	±50	HCMOS	50	Tri-State (Output Enable)
RA5M000000L511	5.000000	5.0	±50	HCMOS	15	Tri-State (Output Enable)
RA5M000000L513	5.000000	5.0	±50	HCMOS	30	Tri-State (Output Enable)
RA5M000000L515	5.000000	5.0	±50	HCMOS	50	Tri-State (Output Enable)
RA6M000000L100	6.000000	5.0	±50	HCMOS	50	Tri-State (Output Enable)
RA6M000000L311	6.000000	3.3	±50	HCMOS	15	Tri-State (Output Enable)
RA6M000000L313	6.000000	3.3	±50	HCMOS	30	Tri-State (Output Enable)

**ELECTRICAL PARAMETERS – FOR DIFFERENT PART CODE- Ta = 25°C**

PART CODE	FREQUENCY RANGE	SUPPLY VOLTAGE	FREQUENCY TOLERANCE	OUTPUT WAVEFORM	OUTLOAD	TRISTATE FUNCTION
	MHz	V	ppm		pF	
RA6M000000L315	6.000000	3.3	±50	HCMOS	50	Tri-State (Output Enable)
RA6M000000L511	6.000000	5.0	±50	HCMOS	15	Tri-State (Output Enable)
RA6M000000L513	6.000000	5.0	±50	HCMOS	30	Tri-State (Output Enable)
RA6M000000L515	6.000000	5.0	±30	HCMOS	50	Tri-State (Output Enable)
RA6M144000L311	6.144400	3.3	±50	HCMOS	15	Tri-State (Output Enable)
RA6M144000L313	6.144400	3.3	±50	HCMOS	30	Tri-State (Output Enable)
RA6M144000L315	6.144400	3.3	±50	HCMOS	50	Tri-State (Output Enable)
RA6M144000L511	6.144400	5.0	±50	HCMOS	15	Tri-State (Output Enable)
RA6M144000L513	6.144400	5.0	±50	HCMOS	30	Tri-State (Output Enable)
RA6M144000L515	6.144400	5.0	±50	HCMOS	50	Tri-State (Output Enable)
RA7M372800L100	7.372800	5.0	±50	HCMOS	50	Tri-State (Output Enable)
RA7M372800L101	7.372800	5.0	±50	HCMOS	15	Enable/Disable
RA7M372800L103	7.372800	5.0	±50	HCMOS	15	Tri-State (Output Enable)
RA7M372800L311	7.372800	3.3	±50	HCMOS	15	Tri-State (Output Enable)
RA7M372800L313	7.372800	3.3	±50	HCMOS	30	Tri-State (Output Enable)
RA7M372800L315	7.372800	3.3	±50	HCMOS	50	Tri-State (Output Enable)
RA7M372800L501	7.372800	5.0	±30	HCMOS	15	Enable/Disable
RA7M372800L511	7.372800	5.0	±30	HCMOS	15	Tri-State (Output Enable)
RA7M372800L513	7.372800	5.0	±50	HCMOS	30	Tri-State (Output Enable)
RA7M372800L515	7.372800	5.0	±30	HCMOS	50	Tri-State (Output Enable)

**ELECTRICAL PARAMETERS – FOR DIFFERENT PART CODE- Ta = 25°C**

PART CODE	FREQUENCY RANGE	SUPPLY VOLTAGE	FREQUENCY TOLERANCE	OUTPUT WAVEFORM	OUTLOAD	TRISTATE FUNCTION
	MHz	V	ppm		pF	
RA8M000000L100	8.000000	5.0	±50	HCMOS	50	Tri-State (Output Enable)
RA8M000000L102	8.000000	5.0	±50	HCMOS	30	Enable/Disable
RA8M000000L103	8.000000	5.0	±30	HCMOS	50	Tri-State (Output Enable)
RA8M000000L104	8.000000	5.0	±50	HCMOS	15	Enable/Disable
RA8M000000L311	8.000000	3.3	±50	HCMOS	15	Tri-State (Output Enable)
RA8M000000L313	8.000000	3.3	±50	HCMOS	30	Tri-State (Output Enable)
RA8M000000L315	8.000000	3.3	±50	HCMOS	50	Tri-State (Output Enable)
RA8M000000L501	8.000000	5.0	±30	HCMOS	15	Enable/Disable
RA8M000000L503	8.000000	5.0	±30	HCMOS	30	Enable/Disable
RA8M000000L511	8.000000	5.0	±30	HCMOS	15	Tri-State (Output Enable)
RA8M000000L513	8.000000	5.0	±50	HCMOS	30	Tri-State (Output Enable)
RA8M000000L515	8.000000	5.0	±25	HCMOS	50	Tri-State (Output Enable)
RA9M375000L100	9.375000	3.3	±50	TTL	15	Enable/Disable
RA9M375000L311	9.375000	3.3	±50	HCMOS	15	Tri-State (Output Enable)
RA9M375000L313	9.375000	3.3	±50	HCMOS	30	Tri-State (Output Enable)
RA9M375000L315	9.375000	3.3	±50	HCMOS	50	Tri-State (Output Enable)
RA9M375000L511	9.375000	5.0	±50	HCMOS	15	Tri-State (Output Enable)
RA9M375000L513	9.375000	5.0	±50	HCMOS	30	Tri-State (Output Enable)
RA9M375000L515	9.375000	5.0	±50	HCMOS	50	Tri-State (Output Enable)
RA9M830400L100	9.830400	5.0	±50	HCMOS	50	Tri-State (Output Enable)

**ELECTRICAL PARAMETERS – FOR DIFFERENT PART CODE- Ta = 25°C**

PART CODE	FREQUENCY RANGE	SUPPLY VOLTAGE	FREQUENCY TOLERANCE	OUTPUT WAVEFORM	OUTLOAD	TRISTATE FUNCTION
	MHz	V	ppm		pF	
RA9M830400L311	9.830400	3.3	±50	HCMOS	15	Tri-State (Output Enable)
RA9M830400L313	9.830400	3.3	±50	HCMOS	30	Tri-State (Output Enable)
RA9M830400L315	9.830400	3.3	±50	HCMOS	50	Tri-State (Output Enable)
RA9M830400L511	9.830400	5.0	±50	HCMOS	15	Tri-State (Output Enable)
RA9M830400L513	9.830400	5.0	±50	HCMOS	30	Tri-State (Output Enable)
RA9M830400L515	9.830400	5.0	±30	HCMOS	50	Tri-State (Output Enable)
RA10M00000L100	10.000000	5.0	±50	HCMOS	50	Tri-State (Output Enable)
RA10M00000L101	10.000000	5.0	±50	HCMOS	50	Enable/Disable
RA10M00000L311	10.000000	3.3	±50	HCMOS	15	Tri-State (Output Enable)
RA10M00000L313	10.000000	3.3	±50	HCMOS	30	Tri-State (Output Enable)
RA10M00000L315	10.000000	3.3	±50	HCMOS	50	Tri-State (Output Enable)
RA10M00000L505	10.000000	5.0	±30	HCMOS	50	Enable/Disable
RA10M00000L511	10.000000	5.0	±50	HCMOS	15	Tri-State (Output Enable)
RA10M00000L513	10.000000	5.0	±50	HCMOS	30	Tri-State (Output Enable)
RA10M00000L515	10.000000	5.0	±30	HCMOS	50	Tri-State (Output Enable)
RA11M05920L311	11.059200	3.3	±50	HCMOS	15	Tri-State (Output Enable)
RA11M05920L313	11.059200	3.3	±50	HCMOS	30	Tri-State (Output Enable)
RA11M05920L315	11.059200	3.3	±50	HCMOS	50	Tri-State (Output Enable)
RA11M05920L511	11.059200	5.0	±50	HCMOS	15	Tri-State (Output Enable)
RA11M05920L513	11.059200	5.0	±50	HCMOS	30	Tri-State (Output Enable)

**ELECTRICAL PARAMETERS – FOR DIFFERENT PART CODE- Ta = 25°C**

PART CODE	FREQUENCY RANGE	SUPPLY VOLTAGE	FREQUENCY TOLERANCE	OUTPUT WAVEFORM	OUTLOAD	TRISTATE FUNCTION
	MHz	V	ppm		pF	
RA11M05920L515	11.059200	5.0	±50	HCMOS	50	Tri-State (Output Enable)
RA12M00000L100	12.000000	5.0	±50	HCMOS	50	Tri-State (Output Enable)
RA12M00000L311	12.000000	3.3	±50	HCMOS	15	Tri-State (Output Enable)
RA12M00000L313	12.000000	3.3	±50	HCMOS	30	Tri-State (Output Enable)
RA12M00000L315	12.000000	3.3	±50	HCMOS	50	Tri-State (Output Enable)
RA12M00000L511	12.000000	5.0	±50	HCMOS	10	Tri-State (Output Enable)
RA12M00000L513	12.000000	5.0	±50	HCMOS	30	Tri-State (Output Enable)
RA12M00000L515	12.000000	5.0	±30	HCMOS	50	Tri-State (Output Enable)
RA12M28800L100	12.288000	5.0	±50	HCMOS	50	Tri-State (Output Enable)
RA12M28800L101	12.288000	5.0	±30	HCMOS	15	Tri-State (Output Enable)
RA12M28800L311	12.288000	3.3	±50	HCMOS	15	Tri-State (Output Enable)
RA12M28800L313	12.288000	3.3	±50	HCMOS	30	Tri-State (Output Enable)
RA12M28800L315	12.288000	3.3	±50	HCMOS	50	Tri-State (Output Enable)
RA12M28800L511	12.288000	5.0	±50	HCMOS	15	Tri-State (Output Enable)
RA12M28800L513	12.288000	5.0	±50	HCMOS	30	Tri-State (Output Enable)
RA12M28800L515	12.288000	5.0	±30	HCMOS	50	Tri-State (Output Enable)
RA14M31818L100	14.318180	5.0	±50	HCMOS	50	Tri-State (Output Enable)
RA14M31818L311	14.318180	3.3	±50	HCMOS	15	Tri-State (Output Enable)
RA14M31818L313	14.318180	3.3	±50	HCMOS	30	Tri-State (Output Enable)
RA14M31818L315	14.318180	3.3	±50	HCMOS	50	Tri-State (Output Enable)

**ELECTRICAL PARAMETERS – FOR DIFFERENT PART CODE- Ta = 25°C**

PART CODE	FREQUENCY RANGE	SUPPLY VOLTAGE	FREQUENCY TOLERANCE	OUTPUT WAVEFORM	OUTLOAD	TRISTATE FUNCTION
	MHz	V	ppm		pF	
RA14M31818L511	14.318180	5.0	±50	HCMOS	15	Tri-State (Output Enable)
RA14M31818L513	14.318180	5.0	±50	HCMOS	30	Tri-State (Output Enable)
RA14M31818L515	14.318180	5.0	±30	HCMOS	50	Tri-State (Output Enable)
RA14M74560L100	14.745600	5.0	±50	HCMOS	50	Tri-State (Output Enable)
RA14M74560L311	14.745600	3.3	±50	HCMOS	15	Tri-State (Output Enable)
RA14M74560L313	14.745600	3.3	±50	HCMOS	30	Tri-State (Output Enable)
RA14M74560L315	14.745600	3.3	±50	HCMOS	50	Tri-State (Output Enable)
RA14M74560L511	14.745600	5.0	±50	HCMOS	15	Tri-State (Output Enable)
RA14M74560L513	14.745600	5.0	±50	HCMOS	30	Tri-State (Output Enable)
RA14M74560L515	14.745600	5.0	±30	HCMOS	50	Tri-State (Output Enable)
RA15M00000L311	15.000000	3.3	±50	HCMOS	15	Tri-State (Output Enable)
RA15M00000L313	15.000000	3.3	±50	HCMOS	30	Tri-State (Output Enable)
RA15M00000L315	15.000000	3.3	±50	HCMOS	50	Tri-State (Output Enable)
RA15M00000L511	15.000000	5.0	±50	HCMOS	15	Tri-State (Output Enable)
RA15M00000L513	15.000000	5.0	±50	HCMOS	30	Tri-State (Output Enable)
RA15M00000L515	15.000000	5.0	±50	HCMOS	50	Tri-State (Output Enable)
RA16M00000L100	16.000000	5.0	±50	HCMOS	50	Tri-State (Output Enable)
RA16M00000L101	16.000000	5.0	±50	HCMOS	50	Enable/Disable
RA16M00000L311	16.000000	3.3	±50	HCMOS	15	Tri-State (Output Enable)
RA16M00000L313	16.000000	3.3	±50	HCMOS	30	Tri-State (Output Enable)



**ELECTRICAL PARAMETERS – FOR DIFFERENT PART CODE- Ta = 25°C**

PART CODE	FREQUENCY RANGE	SUPPLY VOLTAGE	FREQUENCY TOLERANCE	OUTPUT WAVEFORM	OUTLOAD	TRISTATE FUNCTION
	MHz	V	ppm		pF	
RA16M00000L315	16.000000	3.3	±50	HCMOS	50	Tri-State (Output Enable)
RA16M00000L505	16.000000	5.0	±30	HCMOS	50	Enable/Disable
RA16M00000L511	16.000000	5.0	±50	HCMOS	15	Tri-State (Output Enable)
RA16M00000L513	16.000000	5.0	±50	HCMOS	30	Tri-State (Output Enable)
RA16M00000L515	16.000000	5.0	±30	HCMOS	50	Tri-State (Output Enable)
RA16M25700L311	16.257000	3.3	±50	HCMOS	15	Tri-State (Output Enable)
RA16M25700L313	16.257000	3.3	±50	HCMOS	30	Tri-State (Output Enable)
RA16M25700L315	16.257000	3.3	±50	HCMOS	50	Tri-State (Output Enable)
RA16M38400L100	16.384000	5.0	±50	HCMOS	50	Tri-State (Output Enable)
RA16M38400L311	16.384000	3.3	±50	HCMOS	15	Tri-State (Output Enable)
RA16M38400L313	16.384000	3.3	±50	HCMOS	30	Tri-State (Output Enable)
RA16M38400L315	16.384000	3.3	±50	HCMOS	50	Tri-State (Output Enable)
RA16M38400L511	16.384000	5.0	±50	HCMOS	15	Tri-State (Output Enable)
RA16M38400L513	16.384000	5.0	±50	HCMOS	30	Tri-State (Output Enable)
RA16M38400L515	16.384000	5.0	±30	HCMOS	50	Tri-State (Output Enable)
RA18M00000L311	18.000000	3.3	±50	HCMOS	15	Tri-State (Output Enable)
RA18M00000L313	18.000000	3.3	±50	HCMOS	30	Tri-State (Output Enable)
RA18M00000L315	18.000000	3.3	±50	HCMOS	50	Tri-State (Output Enable)
RA18M00000L511	18.000000	5.0	±50	HCMOS	15	Tri-State (Output Enable)
RA18M00000L513	18.000000	5.0	±50	HCMOS	30	Tri-State (Output Enable)

**ELECTRICAL PARAMETERS – FOR DIFFERENT PART CODE- Ta = 25°C**

PART CODE	FREQUENCY RANGE	SUPPLY VOLTAGE	FREQUENCY TOLERANCE	OUTPUT WAVEFORM	OUTLOAD	TRISTATE FUNCTION
	MHz	V	ppm		pF	
RA18M00000L515	18.000000	5.0	±50	HCMOS	50	Tri-State (Output Enable)
RA18M43200L100	18.432000	5.0	±50	HCMOS	50	Tri-State (Output Enable)
RA18M43200L101	18.432000	5.0	±50	HCMOS	15	Enable/Disable
RA18M43200L311	18.432000	3.3	±50	HCMOS	15	Tri-State (Output Enable)
RA18M43200L313	18.432000	3.3	±50	HCMOS	30	Tri-State (Output Enable)
RA18M43200L315	18.432000	3.3	±50	HCMOS	50	Tri-State (Output Enable)
RA18M43200L511	18.432000	5.0	±50	HCMOS	15	Tri-State (Output Enable)
RA18M43200L513	18.432000	5.0	±50	HCMOS	30	Tri-State (Output Enable)
RA18M43200L515	18.432000	5.0	±30	HCMOS	50	Tri-State (Output Enable)
RA19M66080L311	19.660800	3.3	±50	HCMOS	15	Tri-State (Output Enable)
RA19M66080L313	19.660800	3.3	±50	HCMOS	30	Tri-State (Output Enable)
RA19M66080L315	19.660800	3.3	±50	HCMOS	50	Tri-State (Output Enable)
RA19M66080L511	19.660800	5.0	±50	HCMOS	15	Tri-State (Output Enable)
RA19M66080L513	19.660800	5.0	±50	HCMOS	30	Tri-State (Output Enable)
RA19M66080L515	19.660800	5.0	±50	HCMOS	50	Tri-State (Output Enable)
RA20M00000L100	20.000000	5.0	±50	HCMOS	50	Tri-State (Output Enable)
RA20M00000L311	20.000000	3.3	±50	HCMOS	15	Tri-State (Output Enable)
RA20M00000L313	20.000000	3.3	±50	HCMOS	30	Tri-State (Output Enable)
RA20M00000L315	20.000000	3.3	±50	HCMOS	50	Tri-State (Output Enable)
RA20M00000L511	20.000000	5.0	±50	HCMOS	15	Tri-State (Output Enable)

**ELECTRICAL PARAMETERS – FOR DIFFERENT PART CODE- Ta = 25°C**

PART CODE	FREQUENCY RANGE	SUPPLY VOLTAGE	FREQUENCY TOLERANCE	OUTPUT WAVEFORM	OUTLOAD	TRISTATE FUNCTION
	MHz	V	ppm		pF	
RA20M00000L513	20.000000	5.0	±50	HCMOS	30	Tri-State (Output Enable)
RA20M00000L515	20.000000	5.0	±30	HCMOS	50	Tri-State (Output Enable)
RA20M48000L001	20.480000	3.3	±50	TTL	15	Enable/Disable
RA20M48000L311	20.480000	3.3	±50	HCMOS	15	Tri-State (Output Enable)
RA20M48000L313	20.480000	3.3	±50	HCMOS	30	Tri-State (Output Enable)
RA20M48000L315	20.480000	3.3	±50	HCMOS	50	Tri-State (Output Enable)
RA20M48000L511	20.480000	5.0	±50	HCMOS	15	Tri-State (Output Enable)
RA20M48000L513	20.480000	5.0	±50	HCMOS	30	Tri-State (Output Enable)
RA20M48000L515	20.480000	5.0	±50	HCMOS	50	Tri-State (Output Enable)
RA24M00000L100	24.000000	5.0	±50	HCMOS	50	Tri-State (Output Enable)
RA24M00000L101	24.000000	5.0	±50	HCMOS	50	Enable/Disable
RA24M00000L311	24.000000	3.3	±50	HCMOS	15	Tri-State (Output Enable)
RA24M00000L313	24.000000	3.3	±50	HCMOS	30	Tri-State (Output Enable)
RA24M00000L315	24.000000	3.3	±50	HCMOS	50	Tri-State (Output Enable)
RA24M00000L505	24.000000	5.0	±30	HCMOS	50	Enable/Disable
RA24M00000L511	24.000000	5.0	±50	HCMOS	15	Tri-State (Output Enable)
RA24M00000L513	24.000000	5.0	±50	HCMOS	30	Tri-State (Output Enable)
RA24M00000L515	24.000000	5.0	±30	HCMOS	50	Tri-State (Output Enable)
RA24M57600L100	24.576000	5.0	±50	HCMOS	50	Tri-State (Output Enable)
RA24M57600L311	24.576000	3.3	±50	HCMOS	15	Tri-State (Output Enable)

**ELECTRICAL PARAMETERS – FOR DIFFERENT PART CODE- Ta = 25°C**

PART CODE	FREQUENCY RANGE	SUPPLY VOLTAGE	FREQUENCY TOLERANCE	OUTPUT WAVEFORM	OUTLOAD	TRISTATE FUNCTION
	MHz	V	ppm		pF	
RA24M57600L313	24.576000	3.3	±50	HCMOS	30	Tri-State (Output Enable)
RA24M57600L315	24.576000	3.3	±50	HCMOS	50	Tri-State (Output Enable)
RA24M57600L511	24.576000	5.0	±50	HCMOS	15	Tri-State (Output Enable)
RA24M57600L513	24.576000	5.0	±50	HCMOS	30	Tri-State (Output Enable)
RA24M57600L515	24.576000	5.0	±30	HCMOS	50	Tri-State (Output Enable)
RA25M00000L100	25.000000	5.0	±50	HCMOS	50	Tri-State (Output Enable)
RA25M00000L311	25.000000	3.3	±50	HCMOS	15	Tri-State (Output Enable)
RA25M00000L313	25.000000	3.3	±50	HCMOS	30	Tri-State (Output Enable)
RA25M00000L315	25.000000	3.3	±50	HCMOS	50	Tri-State (Output Enable)
RA25M00000L511	25.000000	5.0	±50	HCMOS	15	Tri-State (Output Enable)
RA25M00000L513	25.000000	5.0	±50	HCMOS	30	Tri-State (Output Enable)
RA25M00000L515	25.000000	5.0	±30	HCMOS	50	Tri-State (Output Enable)
RA25M17500L311	25.175000	3.3	±50	HCMOS	15	Tri-State (Output Enable)
RA25M17500L313	25.175000	3.3	±50	HCMOS	30	Tri-State (Output Enable)
RA25M17500L315	25.175000	3.3	±50	HCMOS	50	Tri-State (Output Enable)
RA26M88000L311	26.880000	3.3	±50	HCMOS	15	Tri-State (Output Enable)
RA26M88000L313	26.880000	3.3	±50	HCMOS	30	Tri-State (Output Enable)
RA26M88000L315	26.880000	3.3	±50	HCMOS	50	Tri-State (Output Enable)
RA27M00000L311	27.000000	3.3	±50	HCMOS	15	Tri-State (Output Enable)
RA27M00000L313	27.000000	3.3	±50	HCMOS	30	Tri-State (Output Enable)

**ELECTRICAL PARAMETERS – FOR DIFFERENT PART CODE- Ta = 25°C**

PART CODE	FREQUENCY RANGE	SUPPLY VOLTAGE	FREQUENCY TOLERANCE	OUTPUT WAVEFORM	OUTLOAD	TRISTATE FUNCTION
	MHz	V	ppm		pF	
RA27M00000L315	27.000000	3.3	±50	HCMOS	50	Tri-State (Output Enable)
RA27M00000L511	27.000000	5.0	±50	HCMOS	15	Tri-State (Output Enable)
RA27M00000L513	27.000000	5.0	±50	HCMOS	30	Tri-State (Output Enable)
RA27M00000L515	27.000000	5.0	±50	HCMOS	50	Tri-State (Output Enable)
RA28M00000L311	28.000000	3.3	±50	HCMOS	15	Tri-State (Output Enable)
RA28M00000L313	28.000000	3.3	±50	HCMOS	30	Tri-State (Output Enable)
RA28M00000L315	28.000000	3.3	±50	HCMOS	50	Tri-State (Output Enable)
RA28M32200L311	28.322000	3.3	±50	HCMOS	15	Tri-State (Output Enable)
RA28M32200L313	28.322000	3.3	±50	HCMOS	30	Tri-State (Output Enable)
RA28M32200L315	28.322000	3.3	±50	HCMOS	50	Tri-State (Output Enable)
RA28M32200L511	28.322000	5.0	±50	HCMOS	15	Tri-State (Output Enable)
RA28M32200L513	28.322000	5.0	±50	HCMOS	30	Tri-State (Output Enable)
RA28M32200L515	28.322000	5.0	±50	HCMOS	50	Tri-State (Output Enable)
RA29M49120L311	29.491200	3.3	±50	HCMOS	15	Tri-State (Output Enable)
RA29M49120L313	29.491200	3.3	±50	HCMOS	30	Tri-State (Output Enable)
RA29M49120L315	29.491200	3.3	±50	HCMOS	50	Tri-State (Output Enable)
RA29M49120L511	29.491200	5.0	±50	HCMOS	15	Tri-State (Output Enable)
RA29M49120L513	29.491200	5.0	±50	HCMOS	30	Tri-State (Output Enable)
RA29M49120L515	29.491200	5.0	±50	HCMOS	50	Tri-State (Output Enable)
RA30M00000L311	30.000000	3.3	±50	HCMOS	15	Tri-State (Output Enable)

**ELECTRICAL PARAMETERS – FOR DIFFERENT PART CODE- Ta = 25°C**

PART CODE	FREQUENCY RANGE	SUPPLY VOLTAGE	FREQUENCY TOLERANCE	OUTPUT WAVEFORM	OUTLOAD	TRISTATE FUNCTION
	MHz	V	ppm		pF	
RA30M00000L313	30.000000	3.3	±50	HCMOS	30	Tri-State (Output Enable)
RA30M00000L315	30.000000	3.3	±50	HCMOS	50	Tri-State (Output Enable)
RA30M00000L511	30.000000	5.0	±50	HCMOS	15	Tri-State (Output Enable)
RA30M00000L513	30.000000	5.0	±50	HCMOS	30	Tri-State (Output Enable)
RA30M00000L515	30.000000	5.0	±50	HCMOS	50	Tri-State (Output Enable)
RA32M00000L100	32.000000	5.0	±50	HCMOS	50	Tri-State (Output Enable)
RA32M00000L311	32.000000	3.3	±50	HCMOS	15	Tri-State (Output Enable)
RA32M00000L313	32.000000	3.3	±50	HCMOS	30	Tri-State (Output Enable)
RA32M00000L315	32.000000	3.3	±50	HCMOS	50	Tri-State (Output Enable)
RA32M00000L511	32.000000	5.0	±50	HCMOS	15	Tri-State (Output Enable)
RA32M00000L513	32.000000	5.0	±50	HCMOS	30	Tri-State (Output Enable)
RA32M00000L515	32.000000	5.0	±30	HCMOS	50	Tri-State (Output Enable)
RA32M76800L100	32.768000	5.0	±50	HCMOS	50	Tri-State (Output Enable)
RA32M76800L311	32.768000	3.3	±50	HCMOS	15	Tri-State (Output Enable)
RA32M76800L313	32.768000	3.3	±50	HCMOS	30	Tri-State (Output Enable)
RA32M76800L315	32.768000	3.3	±50	HCMOS	50	Tri-State (Output Enable)
RA32M76800L511	32.768000	5.0	±50	HCMOS	15	Tri-State (Output Enable)
RA32M76800L513	32.768000	5.0	±50	HCMOS	30	Tri-State (Output Enable)
RA32M76800L515	32.768000	5.0	±30	HCMOS	50	Tri-State (Output Enable)
RA33M00000L311	33.000000	3.3	±50	HCMOS	15	Tri-State (Output Enable)

**ELECTRICAL PARAMETERS – FOR DIFFERENT PART CODE- Ta = 25°C**

PART CODE	FREQUENCY RANGE	SUPPLY VOLTAGE	FREQUENCY TOLERANCE	OUTPUT WAVEFORM	OUTLOAD	TRISTATE FUNCTION
	MHz	V	ppm		pF	
RA33M00000L313	33.000000	3.3	±50	HCMOS	30	Tri-State (Output Enable)
RA33M00000L315	33.000000	3.3	±50	HCMOS	50	Tri-State (Output Enable)
RA33M00000L511	33.000000	5.0	±50	HCMOS	15	Tri-State (Output Enable)
RA33M00000L513	33.000000	5.0	±50	HCMOS	30	Tri-State (Output Enable)
RA38M00000L311	38.000000	3.3	±50	HCMOS	50	Tri-State (Output Enable)
RA38M00000L313	38.000000	3.3	±50	HCMOS	15	Tri-State (Output Enable)
RA38M00000L315	38.000000	3.3	±50	HCMOS	30	Tri-State (Output Enable)
RA40M00000L100	40.000000	5.0	±50	HCMOS	50	Tri-State (Output Enable)
RA40M00000L102	40.000000	5.0	±50	HCMOS	30	Enable/Disable
RA40M00000L311	40.000000	3.3	±50	HCMOS	15	Tri-State (Output Enable)
RA40M00000L313	40.000000	3.3	±50	HCMOS	30	Tri-State (Output Enable)
RA40M00000L315	40.000000	3.3	±50	HCMOS	50	Tri-State (Output Enable)
RA40M00000L511	40.000000	5.0	±50	HCMOS	15	Tri-State (Output Enable)
RA40M00000L513	40.000000	5.0	±50	HCMOS	30	Tri-State (Output Enable)
RA40M00000L515	40.000000	5.0	±30	HCMOS	50	Tri-State (Output Enable)
RA40M25000L311	40.250000	3.3	±50	HCMOS	15	Tri-State (Output Enable)
RA40M25000L313	40.250000	3.3	±50	HCMOS	30	Tri-State (Output Enable)
RA40M25000L315	40.250000	3.3	±50	HCMOS	50	Tri-State (Output Enable)
RA46M00000L311	46.000000	3.3	±50	HCMOS	15	Tri-State (Output Enable)
RA46M00000L313	46.000000	3.3	±50	HCMOS	30	Tri-State (Output Enable)

**ELECTRICAL PARAMETERS – FOR DIFFERENT PART CODE- Ta = 25°C**

PART CODE	FREQUENCY RANGE	SUPPLY VOLTAGE	FREQUENCY TOLERANCE	OUTPUT WAVEFORM	OUTLOAD	TRISTATE FUNCTION
	MHz	V	ppm		pF	
RA46M00000L315	46.000000	3.3	±50	HCMOS	50	Tri-State (Output Enable)
RA48M00000L100	48.000000	5.0	±50	HCMOS	50	Tri-State (Output Enable)
RA48M00000L311	48.000000	3.3	±50	HCMOS	15	Tri-State (Output Enable)
RA48M00000L313	48.000000	3.3	±50	HCMOS	30	Tri-State (Output Enable)
RA48M00000L315	48.000000	3.3	±50	HCMOS	50	Tri-State (Output Enable)
RA48M00000L511	48.000000	5.0	±50	HCMOS	15	Tri-State (Output Enable)
RA48M00000L513	48.000000	5.0	±50	HCMOS	30	Tri-State (Output Enable)
RA48M00000L515	48.000000	5.0	±30	HCMOS	50	Tri-State (Output Enable)
RA50M00000L100	50.000000	5.0	±50	HCMOS	50	Tri-State (Output Enable)
RA50M00000L101	50.000000	5.0	±50	HCMOS	50	Tri-State (Output Enable)
RA50M00000L311	50.000000	3.3	±50	HCMOS	15	Tri-State (Output Enable)
RA50M00000L313	50.000000	3.3	±50	HCMOS	30	Tri-State (Output Enable)
RA50M00000L315	50.000000	3.3	±50	HCMOS	50	Tri-State (Output Enable)
RA50M00000L511	50.000000	5.0	±50	HCMOS	15	Tri-State (Output Enable)
RA50M00000L513	50.000000	5.0	±50	HCMOS	30	Tri-State (Output Enable)
RA50M00000L515	50.000000	5.0	±30	HCMOS	50	Tri-State (Output Enable)
RA60M00000L311	60.000000	3.3	±50	HCMOS	15	Tri-State (Output Enable)
RA60M00000L313	60.000000	3.3	±50	HCMOS	30	Tri-State (Output Enable)
RA60M00000L315	60.000000	3.3	±50	HCMOS	50	Tri-State (Output Enable)
RA60M00000L511	60.000000	5.0	±50	HCMOS	15	Tri-State (Output Enable)



**ELECTRICAL PARAMETERS – FOR DIFFERENT PART CODE- Ta = 25°C**

PART CODE	FREQUENCY RANGE	SUPPLY VOLTAGE	FREQUENCY TOLERANCE	OUTPUT WAVEFORM	OUTLOAD	TRISTATE FUNCTION
	MHz	V	ppm		pF	
RA60M00000L513	60.000000	5.0	±50	HCMOS	30	Tri-State (Output Enable)
RA60M00000L515	60.000000	5.0	±50	HCMOS	50	Tri-State (Output Enable)
RA64M00000L311	64.000000	3.3	±50	HCMOS	15	Tri-State (Output Enable)
RA64M00000L313	64.000000	3.3	±50	HCMOS	30	Tri-State (Output Enable)
RA64M00000L315	64.000000	3.3	±50	HCMOS	50	Tri-State (Output Enable)
RA64M00000L511	64.000000	5.0	±50	HCMOS	15	Tri-State (Output Enable)
RA64M00000L513	64.000000	5.0	±50	HCMOS	30	Tri-State (Output Enable)
RA64M00000L515	64.000000	5.0	±50	HCMOS	50	Tri-State (Output Enable)
<b>RA65M53600L101</b>	65.536000	5.0	±50	TTL	15	Enable/Disable
RA65M53600L311	65.536000	3.3	±50	HCMOS	15	Tri-State (Output Enable)
RA65M53600L313	65.536000	3.3	±50	HCMOS	30	Tri-State (Output Enable)
RA65M53600L315	65.536000	3.3	±50	HCMOS	50	Tri-State (Output Enable)
RA65M53600L511	65.536000	5.0	±50	HCMOS	15	Tri-State (Output Enable)
RA65M53600L513	65.536000	5.0	±50	HCMOS	30	Tri-State (Output Enable)
RA65M53600L515	65.536000	5.0	±50	HCMOS	50	Tri-State (Output Enable)
RA66M00000L311	66.000000	3.3	±50	HCMOS	15	Tri-State (Output Enable)
RA66M00000L313	66.000000	3.3	±50	HCMOS	30	Tri-State (Output Enable)
RA66M00000L315	66.000000	3.3	±50	HCMOS	50	Tri-State (Output Enable)
RA66M00000L511	66.000000	5.0	±50	HCMOS	15	Tri-State (Output Enable)
RA66M00000L513	66.000000	5.0	±50	HCMOS	30	Tri-State (Output Enable)

**ELECTRICAL PARAMETERS – FOR DIFFERENT PART CODE- Ta = 25°C**

PART CODE	FREQUENCY RANGE	SUPPLY VOLTAGE	FREQUENCY TOLERANCE	OUTPUT WAVEFORM	OUTLOAD	TRISTATE FUNCTION
	MHz	V	ppm		pF	
RA66M00000L515	66.000000	5.0	±50	HCMOS	50	Tri-State (Output Enable)
RA80M00000L100	80.000000	5.0	±50	HCMOS	15	Tri-State (Output Enable)
RA80M00000L311	80.000000	3.3	±50	HCMOS	15	Tri-State (Output Enable)
RA80M00000L313	80.000000	3.3	±50	HCMOS	30	Tri-State (Output Enable)
RA80M00000L315	80.000000	3.3	±50	HCMOS	50	Tri-State (Output Enable)
RA80M00000L511	80.000000	5.0	±30	HCMOS	15	Tri-State (Output Enable)
RA80M00000L513	80.000000	5.0	±50	HCMOS	30	Tri-State (Output Enable)
RA80M00000L515	80.000000	5.0	±50	HCMOS	50	Tri-State (Output Enable)
RA96M00000L311	96.000000	3.3	±50	HCMOS	15	Tri-State (Output Enable)
RA96M00000L313	96.000000	3.3	±50	HCMOS	30	Tri-State (Output Enable)
RA96M00000L315	96.000000	3.3	±50	HCMOS	50	Tri-State (Output Enable)
RA100M00000L311	100.000000	3.3	±50	HCMOS	15	Tri-State (Output Enable)
RA100M00000L313	100.000000	3.3	±50	HCMOS	30	Tri-State (Output Enable)
RA100M00000L315	100.000000	3.3	±50	HCMOS	50	Tri-State (Output Enable)
RA100M00000L511	100.000000	5.0	±50	HCMOS	15	Tri-State (Output Enable)
RA100M00000L513	100.000000	5.0	±50	HCMOS	30	Tri-State (Output Enable)
RA100M00000L515	100.000000	5.0	±50	HCMOS	50	Tri-State (Output Enable)

## IMPORTANT NOTES AND DISCLAIMER

1. **ROHS COMPLIANCE:** The levels of RoHS restricted materials in this product are below the maximum concentration values (also referred to as the threshold limits) permitted for such substances, or are used in an exempted application, in accordance with EU RoHS Directive (EU) 2015/863 EC (RoHS3). RoHS Test Report for this product can be obtained at Download Center.
2. **REACH COMPLIANCE:** REACH substances of high concern (SVHCs) information is available for this product. Since the European Chemical Agency (ECHA) has published notice of their intent to frequently revise the SVHC listing for the foreseeable future, REACH Test Report for this product can be obtained at Download Center.
3. All Product parametric performance is indicated in the Electrical Characteristics for the listed herein test conditions, unless otherwise noted. Product performance may not be indicated by the Electrical Characteristics if operated under different conditions.
4. NextGen Component, Inc (*NextGen*) reserves the right to make changes to this document and its products and specifications at any time without notice. Customers should obtain and confirm the latest product information and specifications before final design, purchase or use.
5. *NextGen* makes no warranty, representation or guarantee regarding the suitability of its products for any particular purpose, not does *NextGen* assume any liability for application assistance or customer product design.
6. *NextGen* does not warrant or accept any liability with products which are purchased or used for any unintended or unauthorized application. No license is granted by implication or otherwise under any intellectual property rights of NextGen.
7. *NextGen* products are not authorized for use as critical components in life support devices or systems without express written approval by *NextGen*.
8. *NextGen* requires that customers first obtain an RMA (Returned Merchandise Authorization) number prior to returning any products. Returns must be made within 30 days of the date of invoice, be in the original packaging, unused and like-new condition. At the time of quoting or purchasing, a product may say that it is Non-Cancelable/ Non-Returnable (NCNR). These products are not returnable and not refundable.