




SPECIFICATION SHEET NO.	S0312 - SAR423M220S032	
ORIGINAL MFG/PART NO.	TGS Crystals/SAR 423.22MA TLF/R423.22S32	
NEXTGEN PART CODE	SAR423M220S032	Indicate This Code For RFQ /Order
DATE	Mar. 12, 2025	
REVISION	A2	Updated With Most Recent Data
DESCRIPTION AND MAIN PARBMETRICS	<p>SMD SAW Resonator, 8 Pads, 5050 Type, SAR Series</p> <p>Case Code QCC8C, Dimension L5.0*W5.0*H1.5mm</p> <p>Center Frequency 423.220MHz; Frequency Tolerance ± 75KHz</p> <p>Insertion Loss: 1.4dB Typical, 2.0dB Max.</p> <p>Operating Temp. Range -40°C ~ +85°C</p> <p>Reflow Profile Condition 260°C Max.</p> <p>Package in Tape/Reel, 1000pcs/Reel</p> <p>REACH/RoHS/RoHS III Compliant</p>	
CUSTOMER		
CUSTOMER PART NUMBER		
CROSS REF. PART NUMBER		
MEMO		

VENDOR APPROVE			
Issued/Checked/Approved			
Effective Date: Mar. 12, 2025			

CUSTOMER APPROVE	
Date:	

MAIN FEATURE

- SMD SAW Resonator 5050 Type 8 Pads
- Dimension L5.0*W5.0*H1.5mm
- Low-loss SAW Resonator
- One Port SAW Resonator
- Package Code QCC8C
- Ceramic Package For Surface Mounted Technology (SMT)
- Electrostatic Sensitive Device (ESD)
- Moisture Sensitivity Level (MSL) 1
- Short Lead time
- Cross Competitors Parts and More
- REACH/RoHS/RoHS III Compliant

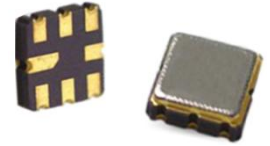


Image shown is a representation only. Exact specifications should be obtained from the product dimension.



APPLICATION

- Bluetooth, Wireless Communication Set
- Communication Electronics

ELECTRICAL CHARACTERISTICS

- See Page 5
- All Products Parameters are Subject To NextGen Components' Final Confirmation.

HOW TO ORDER

- Please Follow Up Part Code Guide And Indicate NextGen Part Code SAR423M220S032 For RFQ and Order.

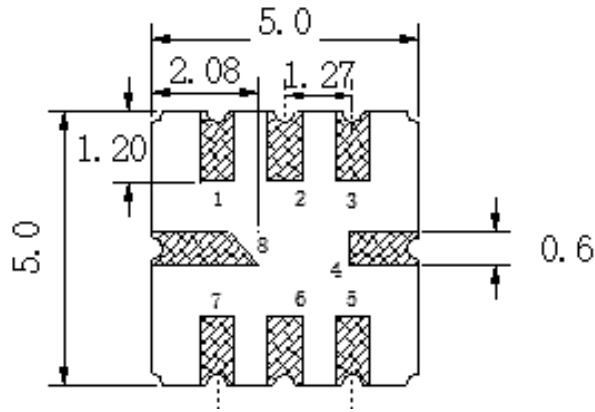
PART CODE GUIDE

RFQ
[Request For Quotation](#)

CODE	NAME	KEY SPECIFICATION OPTION
SAR	Series Code	SMD SAW Resonator, 8 Pads, 5050 Type Case Code QCC8C, Dimension L5.0*W5.0*H1.5mm
423M22	Frequency Range Code	423M22: 423.220MHz
0S032	Internal Control Code	Letter A~Z, a~z or Digits (1-9)
XX	Special/Custom Parameters Code	Blank: N/A XX: Letter A~Z, a~z or Digits (0~9) for Special/Custom Parameters

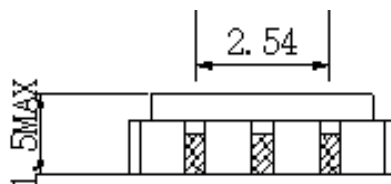
DIMENSION - Unit: mm, L5.0*W5.0*H1.5mm

Bottom View



PIN	CONFIGURATION
2	Input
6	Output
1, 3, 5, 7	To be Grounded
4, 8	Case Ground

Side View



MAX. RATING & CHARACTERISTICS - At 25±2°C Ambient Temperature Unless Otherwise Specified.

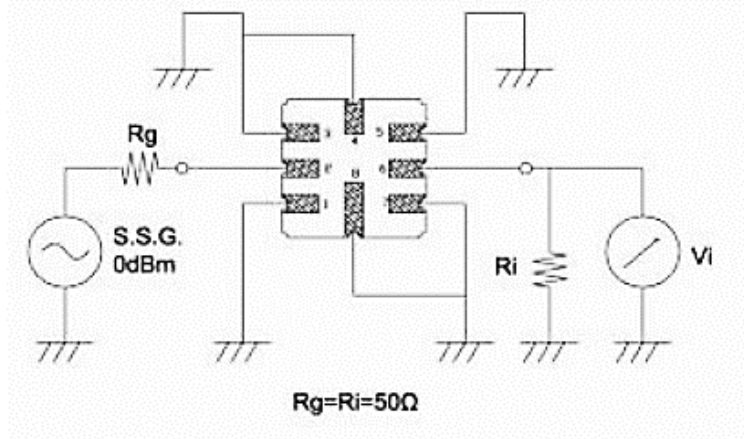
PARAMETER	SYMBOLS	VALUE	UNITS
RF Power Level	P	15	dBm
DC Voltage	V _{bc}	±30	V
Operating Temperature Range	T _A	-40 to +85	°C
Storage Temperature Range	T _{stg}	-40 to +85	°C

ELECTRONICAL CHARACTERISTICS

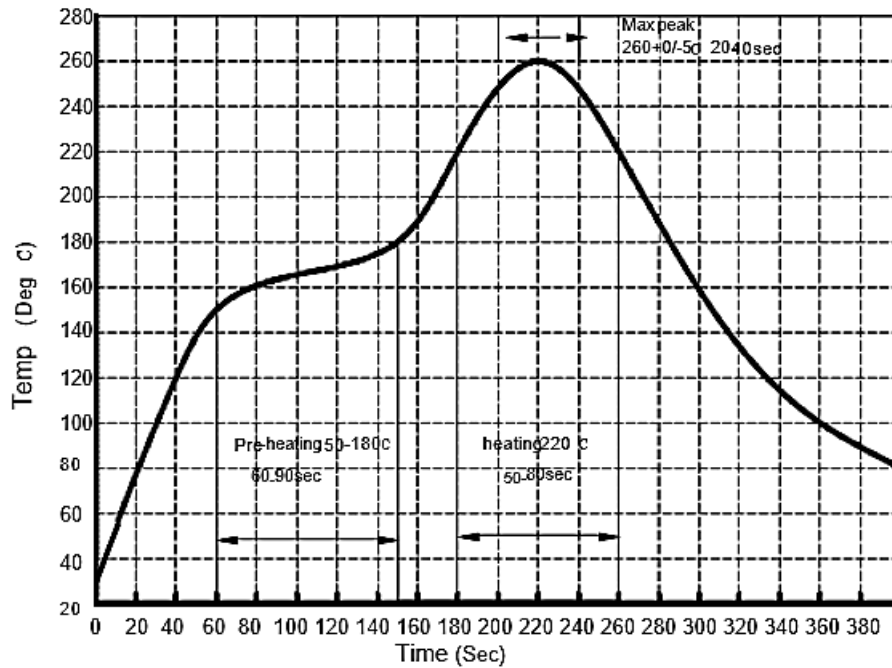
1) Test Temperature: 25°C±2°C 2) Terminating source impedance: 50Ω 3) Terminating load impedance: 50Ω .

PARAMETER		SYMBOLS	CHARACTERISTICS			
			MIN.	TYPICAL	MAX.	UNIT
Center Frequency- Absolute Frequency		FC	-	423.220	-	MHz
Frequency Tolerance from 423.220MHz		Δfc	-	± 75	-	KHz
Insertion Loss		IL	-	1.4	2.0	dB
Quality	Unloaded Q	QU	-	13850	-	
Factor	50Ω Loaded Q	QL	-	1871	-	
DC Insulation Resistance between Any Two Pins			1.0	-	-	MΩ
RF Equivalent RLC Model	Motional Resistance	RM	-	15.6	25	Ω
	Motional Inductance	LM	-	81.35	-	μH
	Motional Capacitance	CM	-	1.738	-	fF
	Static Capacitance	C0	2.3	2.6	2.9	pF

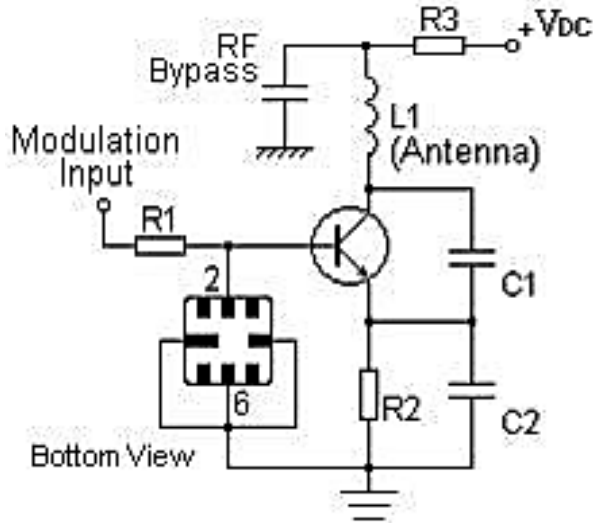
MEASUREMENT CIRCUIT – FOR REFERENCE ONLY



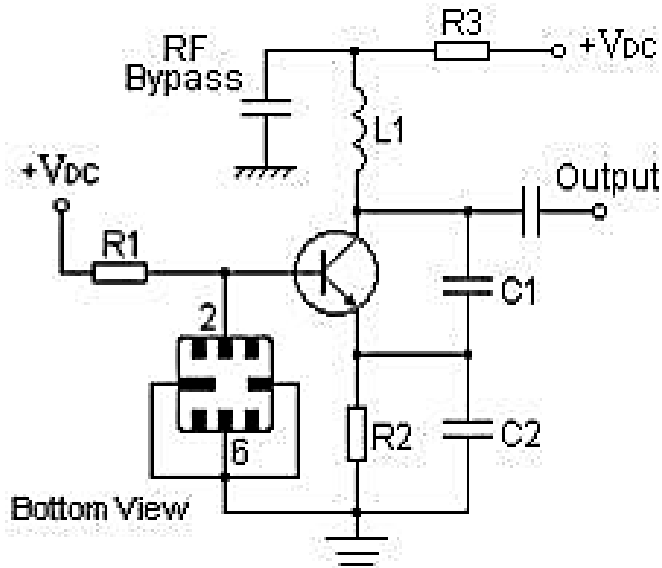
RECOMMENDED SOLDERING PROFILE – FOR REFERENCE ONLY



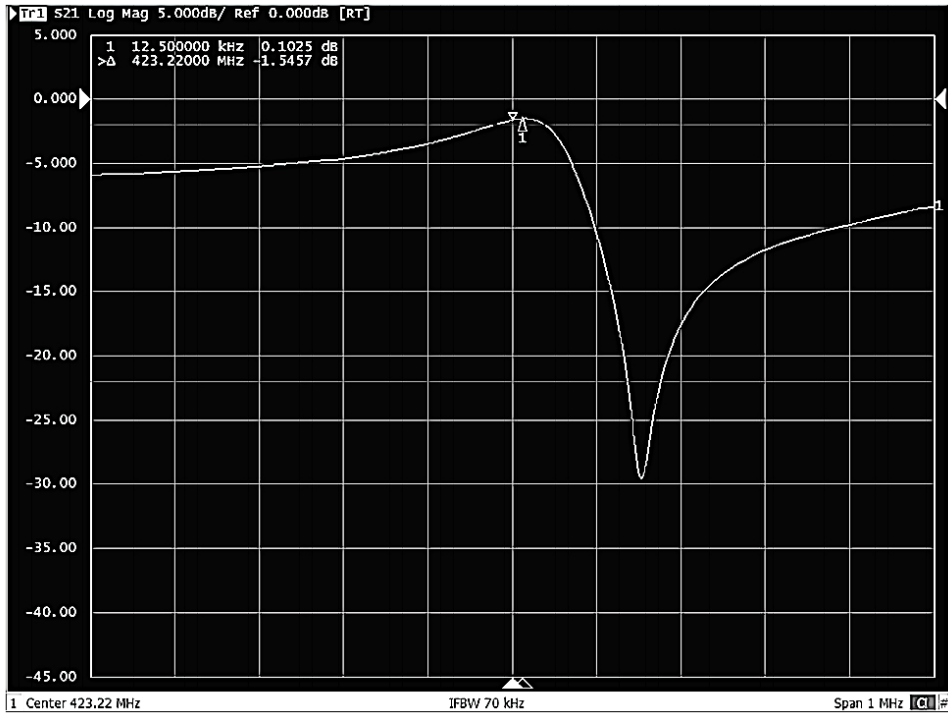
TYPICAL LOW-POWER TRANSMITTER APPLICATION – FOE REFERENCE ONLY



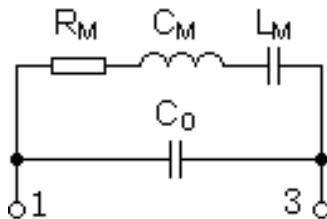
TYPICAL LOCAL OSCILLATOR APPLICATION – FOE REFERENCE ONLY



FREQUENCY RESPONSE – FOR REFERENCE ONLY



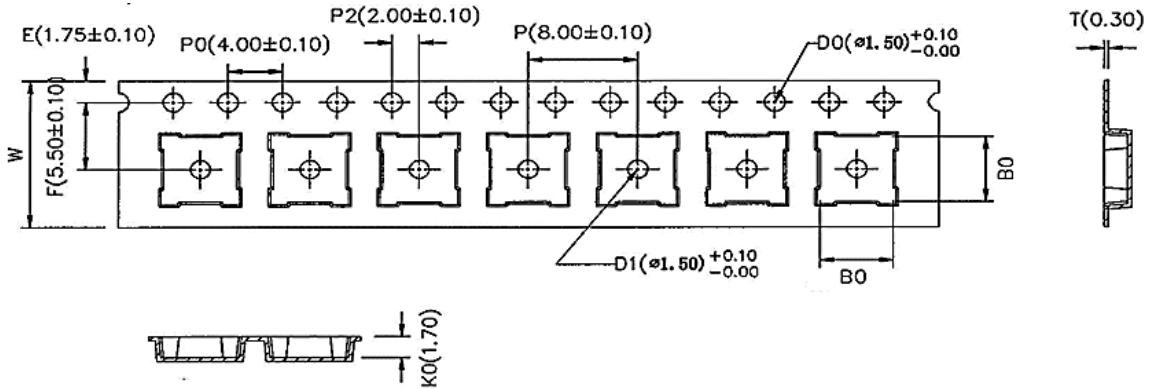
EQUIVALENT LC MODEL – FOR REFERENCE ONLY



RELIABILITY CHARACTERISTICS

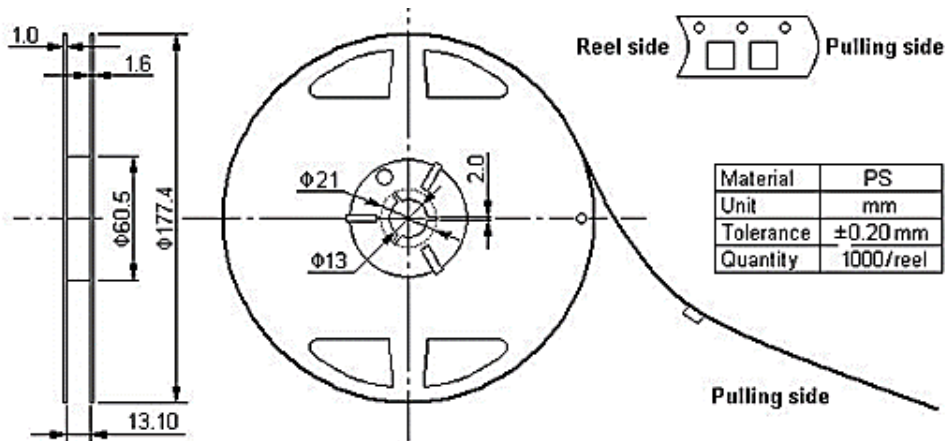
TEST ITEMS	TEST METHOD AND CONDITIONS
Temperature Storage	<ul style="list-style-type: none"> • Temperature: 85°C±2°C, Duration: 250h , Recovery time: 2h±0.5h • Temperature: -40°C±3°C, Duration: 250h ,Recovery time: 2h±0.5h
Humidity Test	<ul style="list-style-type: none"> • Conditions: 60°C±2°C , 90~95% RH, Duration: 250h
Thermal Shock	<ul style="list-style-type: none"> • Heat cycle conditions: TA=-40°C±3°C, TB=85°C±2°C, t1=t2=30min, • Switch time: ≤3min, Cycle time: 100 times, • Recovery time: 2h±0.5h.
Vibration Fatigue	<ul style="list-style-type: none"> • Frequency of vibration: 10~55Hz, Amplitude:1.5mm • Directions: X,Y and Z, Duration: 2h
Drop Test	<ul style="list-style-type: none"> • Cycle time: 10 times, Height: 1.0m
Solderability	<ul style="list-style-type: none"> • Temperature: 245°C±5°C, Duration: 3.0s--5.0s, Depth: DIP--2/3 , SMD--1/5
Resistance to Soldering Heat	<ul style="list-style-type: none"> • Thickness of PCB:1mm , Solder condition: 260°C±5°C , Duration: 10±1s • Temperature of Soldering Iron: 350°C±10°C , Duration: 3~4s , • Recovery time : 2 ± 0.5h
Remarks	<ul style="list-style-type: none"> • As a result of the particularity of inner structure of SAW products, it easy to be breakdown by electrostatic, so we should pay attention to ESD protect in the test. • Static voltage between signal load and ground may cause deterioration and destruction of the component. Please avoid static voltage. • Ultrasonic cleaning may cause deterioration and destruction of the component. Please avoid ultrasonic cleaning. • Only leads of component may be soldered. Please avoid soldering another part of component. • There is a close relationship between the device's performance and matching network. The specifications of this device are based on the test circuit shown above. L and C values may change depending on board layout. Values shown are intended as a guide only.

TAPE DIMENSION - Unit: mm, All Devices are packed in accordance with EIA standard RS-481-2.



* B0: 5.35 for QCC8C; 4.15 for DCC6/QCC8B; 3.35 for DCC6C/QCC8D

REEL DIMENSION - Unit: mm, 1000pcs/Reel.



IMPORTANT NOTES AND DISCLAIMER

1. **ROHS COMPLIANCE:** The levels of RoHS restricted materials in this product are below the maximum concentration values (also referred to as the threshold limits) permitted for such substances, or are used in an exempted application, in accordance with EU RoHS Directive (EU) 2015/863 EC (RoHS3). RoHS Test Report for this product can be obtained at Download Center.
2. **REACH COMPLIANCE:** REACH substances of high concern (SVHCs) information is available for this product. Since the European Chemical Agency (ECHA) has published notice of their intent to frequently revise the SVHC listing for the foreseeable future, REACH Test Report for this product can be obtained at Download Center.
3. All Product parametric performance is indicated in the Electrical Characteristics for the listed herein test conditions, unless otherwise noted. Product performance may not be indicated by the Electrical Characteristics if operated under different conditions.
4. NextGen Component, Inc (*NextGen*) reserves the right to make changes to this document and its products and specifications at any time without notice. Customers should obtain and confirm the latest product information and specifications before final design, purchase or use.
5. *NextGen* makes no warranty, representation or guarantee regarding the suitability of its products for any particular purpose, not does *NextGen* assume any liability for application assistance or customer product design.
6. *NextGen* does not warrant or accept any liability with products which are purchased or used for any unintended or unauthorized application. No license is granted by implication or otherwise under any intellectual property rights of NextGen.
7. *NextGen* products are not authorized for use as critical components in life support devices or systems without express written approval by *NextGen*.
8. *NextGen* requires that customers first obtain an RMA (Returned Merchandise Authorization) number prior to returning any products. Returns must be made within 30 days of the date of invoice, be in the original packaging, unused and like-new condition. At the time of quoting or purchasing, a product may say that it is Non-Cancelable/ Non-Returnable (NCNR). These products are not returnable and not refundable.