




|   |  |   |  |
|---|--|---|--|
| SPECIFICATION SHEET NO.                       | T0226- FZ106M025HCHTA  |   |  |
| ORIGINAL MFR. PART NO.                        | <b>Aillen</b> Aillen Capacitors/CAE106M1EHFZCE7TRC   |   |  |
| NEXTGEN ORDER PART NO.                        | FZ106M025HCHTA   | This number is required on all RFQs and Purchase Orders |  |
| DATE  | Feb. 26, 2026  |   |  |
| REVISION                                      | Rev. A6  | Updated to reflect the most recent data                 |  |
| GENERAL DESCRIPTION<br>AND KEY SPECIFICATIONS | <p>Aluminum Electrolytic Capacitors (CAE), SMD Type – FZ Series, 2 Pads<br/>Wide operating temperature range and low impedance<br/>Capacitance: 10 <math>\mu</math>F; Capacitance Tolerance: <math>\pm</math>20%; Rated Voltage: 25 V<br/>Case Size: <math>\varnothing</math>4.0 <math>\times</math> 5.7 mm; Impedance (20 <math>^{\circ}</math>C, 100 kHz): 1.45 <math>\Omega</math> (Max.)<br/>Ripple Current (r.m.s., 100 kHz, +105 <math>^{\circ}</math>C): 80 mA (Max.)<br/>Load Life: 2000 hours at +105 <math>^{\circ}</math>C<br/>Operating Temperature Range: -55 <math>^{\circ}</math>C to +105 <math>^{\circ}</math>C<br/>Packing: Tape and Reel, 2,000 pcs/reel<br/>Compliance: REACH and RoHS (2011/65/EU &amp; 2015/863/EU) compliant;<br/>Halogen-Free (HF)</p> |   |  |
| CUSTOMER                                      |  |   |  |
| CUSTOMER PART NO.                             |  |   |  |
| CROSS-REFERENCE<br>INFORMATION                | UFW/UWT/UWX,VX/EX/KYB, ZLH/ZS<br><br>Functional Alternative (Subject to Application Verification)  |   |  |

|                        |   |  |   |
|------------------------|---|--|---|
| <b>VENDOR APPROVAL</b> |   |  |   |
| Prepared by            | Checked by  | Approved by  |   |
|                        |  |  |  |
| Date: Feb. 26, 2026    |   |  |   |

|                          |       |        |       |
|--------------------------|-------|--------|-------|
| <b>CUSTOMER APPROVAL</b> |       |        |       |
| Signature:               | Name: | Title: | Date: |
|                          |       |        |       |

## MAIN FEATURES

- Aluminum electrolytic capacitors, foil type
- V-Chip (Radial SMD) can-type construction
- Wide operating temperature range:  $-55\text{ }^{\circ}\text{C}$  to  $+105\text{ }^{\circ}\text{C}$
- High reliability and stable electrical characteristics
- Designed to meet IEC 60384 requirements
- Suitable for high-density surface mount applications
- Rated voltage range: up to 100 V
- Capacitance range: up to 2200  $\mu\text{F}$
- This product may serve as a functional alternative to comparable series such as Nichicon UFW, Chemi-Con VX/EX, and Rubycon ZS, subject to customer verification.
- Moisture Sensitivity Level (MSL): Level 1 (Unlimited)
- RoHS compliant per Directive 2011/65/EU and amendment (EU) 2015/863
- REACH compliant and Halogen-Free (HF)



*Image shown is a representation only. Exact specifications should be obtained from the product dimension.*



## APPLICATIONS

- High-density surface mount circuits, such as power supplies and lighting equipment
- Industrial equipment, including routers, network switches, measuring instruments, and control systems
- Consumer electronics, including audio amplifiers, smoothing circuits, and LED lighting

## ELECTRICAL CHARACTERISTICS

- Electrical characteristics for individual part numbers are provided on Pages 8–18.

## IMPORTANT NOTICE

- Specifications are subject to change without prior notice due to product improvements or technical updates.
- Customers are responsible for verifying the latest product information prior to use.
- All product parameters are subject to final confirmation by NextGen Components.

## HOW TO ORDER

- Please refer to the part numbering structure and specify the NextGen order part number FZ106M025HCHTA on all RFQs and Purchase Orders.

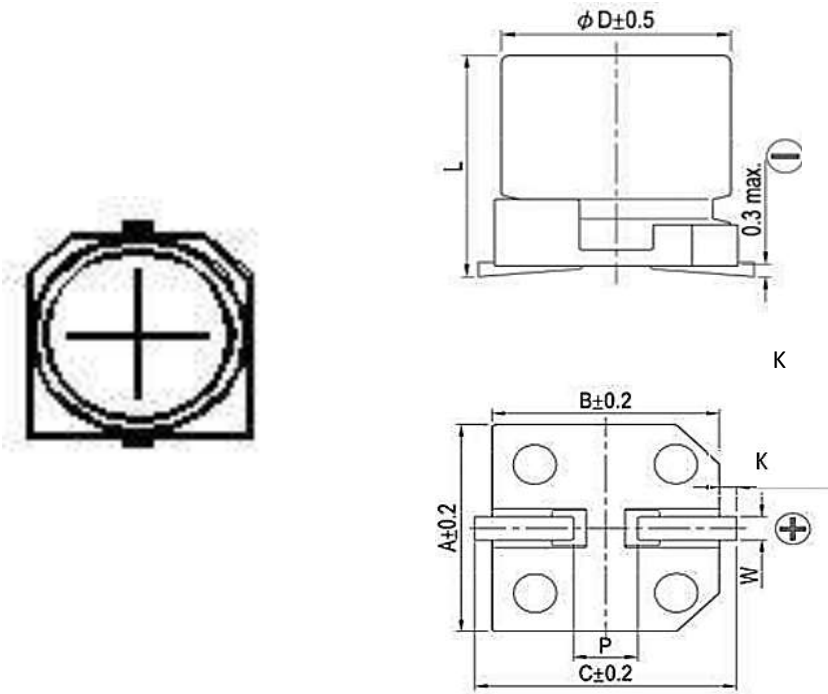
**RFQ**  
[Request For Quotation](#)

## PART NUMBERING STRUCTURE

| CODE | DESCRIPTION              | KEY SPECIFICATIONS   |
|------|--------------------------|--|
| FZ   | Series                   | Aluminum Electrolytic Capacitors(CAE), V-Chip Type, Original MFR Series Number CDFZ  |
| 106  | Capacitance              | 225: 2.2μF; 335: 3.3μF; 475: 4.7μF; 105: 1.0μF; 106: 10μF; 156: 15μF; 226: 22μF; 276: 27μF; 336: 33μF; 476: 47μF; 566: 56μF; 686: 68μF; 107: 100μF; 157: 150μF; 227: 220μF 337: 330μF; 477: 470μF; 687: 680μF; 108: 1000μF; 158: 1500μF; 228: 2200μF |
| M    | Capacitance Tolerance    | M: ±20% (Standard)   |
| 025  | Rated Voltage            | 6V3: 6.3 V; 010: 10 V; 016: 16 V; 025: 25 V; 035: 35 V; 050: 50 V; 063: 63 V; 080: 80 V; 100: 100 V  |
| H    | Environmental Compliance | H: REACH and RoHS compliant per Directive 2011/65/EU and amendment (EU) 2015/863; Halogen-Free (HF)  |
| C    | Case Diameter            | C: Ø4.0mm; D: Ø5.0mm; E: Ø6.3mm; F: Ø8.0mm; G: Ø10.0mm<br>P: Ø12.5mm   |
| H    | Case Length              | H: 5.7 mm; I: 6.5 mm; J: 7.7 mm; K: 10.5 mm; N: 13.5 mm  |
| T    | Packaging                | T: Tape and Reel   |
| A    | Internal Control Code    | Letter A~Z, a~z or digits (0~9)  |
| XX   | Suffix                   | Blank: Standard;<br>XX: Letters A~Z, a~z or digits (0~9) for Custom or special specification (if applicable)   |

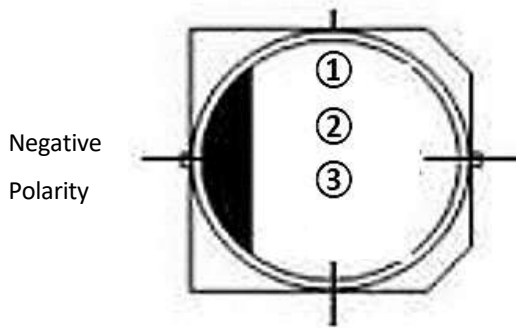
**DIMENSIONS (Unit: mm)**

- $\varnothing 4.0$  mm to  $\varnothing 6.3$  mm: Without safety vent.
- $\varnothing 8.0$  mm to  $\varnothing 12.5$  mm: With safety vent



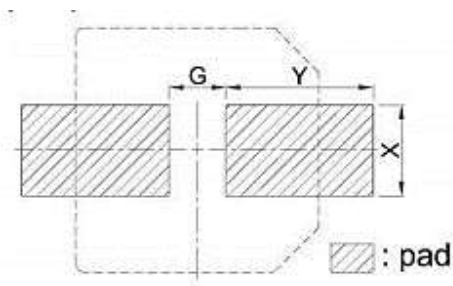
| $\varnothing D$ | 4.0           | 5.0           | 6.3           | 6.3           | 8.0           | 8.0            | 10.0           | 10.0           | 12.5           |
|-----------------|---------------|---------------|---------------|---------------|---------------|----------------|----------------|----------------|----------------|
| Case L          | 5.7 $\pm$ 0.5 | 5.7 $\pm$ 0.5 | 5.7 $\pm$ 0.5 | 7.7 $\pm$ 0.5 | 6.5 $\pm$ 0.5 | 10.5 $\pm$ 0.5 | 10.5 $\pm$ 0.5 | 13.5 $\pm$ 0.5 | 13.5 $\pm$ 0.5 |
| A               | 4.3           | 5.3           | 6.6           | 6.6           | 8.3           | 8.3            | 10.3           | 10.3           | 13.0           |
| B               | 4.3           | 5.3           | 6.6           | 6.6           | 8.3           | 8.3            | 10.3           | 10.3           | 13.0           |
| C               | 5.1           | 6.1           | 7.3           | 7.3           | 9.2           | 9.2            | 11.2           | 11.2           | 13.7           |
| P               | 1.0 $\pm$ 0.2 | 1.5 $\pm$ 0.2 | 2.1 $\pm$ 0.2 | 2.1 $\pm$ 0.2 | 3.1 $\pm$ 0.2 | 3.1 $\pm$ 0.2  | 4.5 $\pm$ 0.2  | 4.5 $\pm$ 0.2  | 4.5 $\pm$ 0.2  |
| K               | 0.5 Max.      | 0.5 Max.      | 0.5 Max.      | 0.5 Max.      | 0.5 Max.      | 0.5 Max.       | 0.5 Max.       | 0.5 Max.       | 1.0 Max.       |
| W               | 0.5~0.9       | 0.5~0.9       | 0.5~0.9       | 0.5~0.9       | 0.8~1.1       | 0.8~1.1        | 0.8~1.1        | 0.8~1.1        | 1.1~1.4        |

MARKING GUIDE – For Reference Only



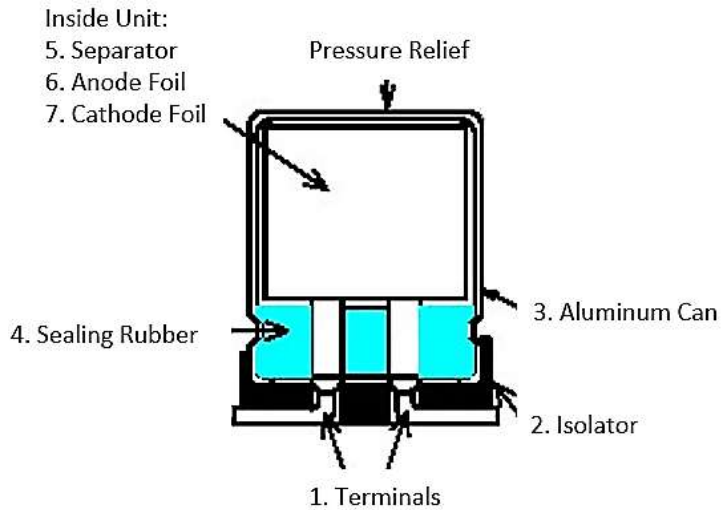
| SYMBOL | NAME              | VALUE      | MARKING |
|--------|-------------------|------------|---------|
| ①      | Series Code       |            | FZ      |
| ②      | Rated Capacitance | 10 $\mu$ F | 10      |
| ③      | Rated Voltage     | 25V        | 25V     |

RECOMMENDED LAND PATTERN (Unit: mm)



| DIAMETER SIZE      | X   | Y   | G   |
|--------------------|-----|-----|-----|
| $\varnothing 4$    | 1.6 | 2.6 | 1.0 |
| $\varnothing 5$    | 1.6 | 3.0 | 1.4 |
| $\varnothing 6.3$  | 1.6 | 3.5 | 1.9 |
| $\varnothing 8$    | 2.5 | 3.5 | 3.0 |
| $\varnothing 10$   | 2.5 | 4.0 | 4.0 |
| $\varnothing 12.5$ | 3.2 | 6.0 | 4.0 |

CONSTRUCTION – For Reference Only



| NO. | PARTS          | MATERIAL                                  |
|-----|----------------|---|
| 1   | Terminal       | Tinned Copper – Clad Steel Wire (Pb Free) |
| 2   | Isolator       | Thermo-plastic resin                      |
| 3   | Aluminum Can   | Aluminum                                  |
| 4   | Sealing Rubber | Synthetic rubber                          |
| 5   | Separator      | Manila hemp                               |
| 6   | Anode Foil     | High purity aluminum foil                 |
| 7   | Cathode Foil   | Aluminum foil                             |

GENERAL ELECTRICAL CHARACTERISTICS – FOR DIFFERENT NEXTGEN ORDER PART NO.

| PARAMETER                            | UNITS | VALUE      |
|--------------------------------------|-------|------------|
| Operating Junction Temperature Range | °C    | -55 ~ +105 |
| Storage Temperature Range            | °C    | -55 ~ +150 |

FREQUENCY COEFFICIENT OF ALLOWABLE RIPPLE CURRENT

| FREQUENCY<br>F(Hz)   |            | 100Hz≤F < 1KHz | 1KHz≤F < 10KHz | 10KHz≤F < 100KHz | 100KHz≤F |
|----------------------|------------|----------------|----------------|------------------|----------|
| Capacitance<br>C(μF) | C≤33       | 0.35           | 0.70           | 0.90             | 1.00     |
|                      | 33 < C≤150 | 0.45           | 0.85           | 0.92             | 1.00     |
|                      | 150 < C    | 0.60           | 0.85           | 0.95             | 1.00     |

TEMPERATURE COEFFICIENT

| AMBIENT TEMPERATURE (°C) | 105 | 85  | ≤70 |
|--------------------------|-----|-----|-----|
| Coefficient              | 1   | 1.5 | 2   |

ELECTRICAL CHARACTERISTICS - Ta = 25°C, FOR DIFFERENT NEXTGEN ORDER PART NO.

| NEXTGEN<br>ORDER PART NO. | RATE<br>VOL. | CAPACI-<br>TANCE | MAX.<br>DF<br>@20°C,<br>120HZ | MAX.<br>LEAKAGE<br>CURRENT | MAX.<br>IMPEDANCE<br>@ 20 °C<br>100KHZ | MAX.<br>RIPPLE<br>CURRENT<br>@ 105°C<br>100KHZ | LOAD<br>LIFE | CASE<br>SIZE<br>ØD X L |
|---------------------------|--------------|------------------|-------------------------------|----------------------------|--|--|--------------|------------------------|
|                           | V            | µF               | %                             | µA                         | Ω                                      | mA r.m.s                                       | Hours        | mm                     |
| FZ226M6V3HCHTA            | 6.3          | 22               | 26                            | 3.00                       | 1.45                                   | 80   | 2000         | 4x5.7                  |
| FZ276M6V3HCHTA            | 6.3          | 27               | 26                            | 3.00                       | 1.45                                   | 80   | 2000         | 4x5.7                  |
| FZ336M6V3HDHTA            | 6.3          | 33               | 26                            | 3.00                       | 0.80                                   | 150  | 2000         | 5x5.7                  |
| FZ476M6V3HDHTA            | 6.3          | 47               | 26                            | 3.00                       | 0.80                                   | 150  | 2000         | 5x5.7                  |
| FZ566M6V3HDHTA            | 6.3          | 56               | 26                            | 3.53                       | 0.80                                   | 150  | 2000         | 5x5.7                  |
| FZ686M6V3HEHTA            | 6.3          | 68               | 26                            | 4.28                       | 0.44                                   | 230  | 2000         | 6.3x5.7                |
| FZ107M6V3HDHTA            | 6.3          | 100              | 26                            | 6.30                       | 0.80                                   | 150  | 2000         | 5x5.7                  |
| FZ107M6V3HEHTA            | 6.3          | 100              | 26                            | 6.30                       | 0.44                                   | 230  | 2000         | 6.3x5.7                |
| FZ157M6V3HEHTA            | 6.3          | 150              | 26                            | 9.45                       | 0.44                                   | 230  | 2000         | 6.3x5.7                |
| FZ227M6V3HEHTA            | 6.3          | 220              | 26                            | 13.86                      | 0.44                                   | 230  | 2000         | 6.3x5.7                |
| FZ337M6V3HEJTA            | 6.3          | 330              | 26                            | 20.79                      | 0.36                                   | 280  | 3000         | 6.3x7.7                |
| FZ337M6V3HFITA            | 6.3          | 330              | 26                            | 20.79                      | 0.36                                   | 280  | 3000         | 8x6.5                  |
| FZ477M6V3HFKTA            | 6.3          | 470              | 26                            | 29.61                      | 0.17                                   | 450  | 5000         | 8x10.5                 |
| FZ477M6V3HFKTB            | 6.3          | 470              | 26                            | 29.61                      | 0.16                                   | 600  | 5000         | 8x10.5                 |
| FZ687M6V3HFKTA            | 6.3          | 680              | 26                            | 42.84                      | 0.17                                   | 450  | 5000         | 8x10.5                 |
| FZ687M6V3HGJTA            | 6.3          | 680              | 26                            | 42.84                      | 0.17                                   | 450  | 3000         | 10x7.7                 |
| FZ108M6V3HFKTA            | 6.3          | 1000             | 28                            | 63.00                      | 0.17                                   | 450  | 5000         | 8x10.5                 |
| FZ158M6V3HGKTA            | 6.3          | 1500             | 28                            | 94.50                      | 0.09                                   | 670  | 5000         | 10x10.5                |
| FZ158M6V3HGNTA            | 6.3          | 1500             | 28                            | 94.50                      | 0.08                                   | 720  | 5000         | 10x13.5                |
| FZ228M6V3HPNTA            | 6.3          | 2200             | 29                            | 138.60                     | 0.07                                   | 820  | 5000         | 12.5x13.5              |



ELECTRICAL CHARACTERISTICS - Ta = 25°C, FOR DIFFERENT NEXTGEN ORDER PART NO.

| NEXTGEN<br>ORDER PART NO. | RATE<br>VOL. | CAPACI-<br>TANCE | MAX.<br>DF<br>@20°C,<br>120HZ | MAX.<br>LEAKAGE<br>CURRENT | MAX.<br>IMPEDANCE<br>@ 20 °C<br>100KHZ | MAX.<br>RIPPLE<br>CURRENT<br>@ 105°C<br>100KHZ | LOAD<br>LIFE | CASE<br>SIZE<br>ØD X L |
|---------------------------|--------------|------------------|-------------------------------|----------------------------|--|--|--------------|------------------------|
|                           | V            | µF               | %                             | µA                         | Ω                                      | mA r.m.s                                       | Hours        | mm                     |
| FZ226M010HCHTA            | 10           | 22               | 22                            | 3.00                       | 1.45                                   | 80   | 2000         | 4x5.7                  |
| FZ276M010HDHTA            | 10           | 27               | 22                            | 3.00                       | 0.80                                   | 150  | 2000         | 5x5.7                  |
| FZ336M010HDHTA            | 10           | 33               | 22                            | 3.30                       | 0.80                                   | 150  | 2000         | 5x5.7                  |
| FZ476M010HEHTA            | 10           | 47               | 22                            | 4.70                       | 0.44                                   | 230  | 2000         | 6.3x5.7                |
| FZ566M010HEHTA            | 10           | 56               | 22                            | 5.60                       | 0.44                                   | 230  | 2000         | 6.3x5.7                |
| FZ686M010HEHTA            | 10           | 68               | 22                            | 6.80                       | 0.44                                   | 230  | 2000         | 6.3x5.7                |
| FZ107M010HEHTA            | 10           | 100              | 22                            | 10.00                      | 0.44                                   | 230  | 2000         | 6.3x5.7                |
| FZ157M010HEHTA            | 10           | 150              | 22                            | 15.00                      | 0.44                                   | 230  | 2000         | 6.3x5.7                |
| FZ227M010HEJTA            | 10           | 220              | 22                            | 22.00                      | 0.36                                   | 280  | 3000         | 6.3x7.7                |
| FZ227M010HFITA            | 10           | 220              | 22                            | 22.00                      | 0.36                                   | 280  | 3000         | 8x6.5                  |
| FZ337M010HFKTA            | 10           | 330              | 22                            | 33.00                      | 0.17                                   | 450  | 5000         | 8x10.5                 |
| FZ477M010HFKTA            | 10           | 470              | 22                            | 47.00                      | 0.17                                   | 450  | 5000         | 8x10.5                 |
| FZ477M010HGJTA            | 10           | 470              | 22                            | 47.00                      | 0.17                                   | 450  | 3000         | 10x7.7                 |
| FZ687M010HGKTA            | 10           | 680              | 22                            | 68.00                      | 0.09                                   | 850  | 5000         | 10x10.5                |
| FZ108M010HGKTA            | 10           | 1000             | 24                            | 100.00                     | 0.09                                   | 850  | 5000         | 10x10.5                |
| FZ108M010HGKTB            | 10           | 1000             | 24                            | 100.00                     | 0.08                                   | 850  | 5000         | 10x10.5                |
| FZ158M010HGNTA            | 10           | 1500             | 27                            | 150.00                     | 0.08                                   | 720  | 5000         | 10x13.5                |
| FZ158M010HPNTA            | 10           | 1500             | 27                            | 150.00                     | 0.07                                   | 820  | 5000         | 12.5x13.5              |
| FZ228M010HPNTA            | 10           | 2200             | 29                            | 220.00                     | 0.07                                   | 820  | 5000         | 12.5x13.5              |
|                           |              |                  |                               |                            |  |  |              |                        |

ELECTRICAL CHARACTERISTICS - Ta = 25°C, FOR DIFFERENT NEXTGEN ORDER PART NO.

| NEXTGEN ORDER PART NO. | RATE VOL. | CAPACITANCE | MAX. DF @20°C, 120HZ | MAX. LEAKAGE CURRENT | MAX. IMPEDANCE @ 20 °C 100KHZ | MAX. RIPPLE CURRENT @ 105°C 100KHZ | LOAD LIFE | CASE SIZE ØD X L |
|------------------------|-----------|-------------|----------------------|----------------------|-------------------------------|------------------------------------|-----------|------------------|
|                        | V         | µF          | %                    | µA                   | Ω                             | mA r.m.s                           | Hours     | mm               |
| FZ106M016HCHTA         | 16        | 10          | 20                   | 3.00                 | 1.45                          | 80                                 | 2000      | 4x5.7            |
| FZ226M016HDHTA         | 16        | 22          | 20                   | 3.52                 | 0.80                          | 150                                | 2000      | 5x5.7            |
| FZ276M016HDHTA         | 16        | 27          | 20                   | 4.32                 | 0.80                          | 150                                | 2000      | 5x5.7            |
| FZ336M016HEHTA         | 16        | 33          | 20                   | 5.28                 | 0.44                          | 230                                | 2000      | 6.3x5.7          |
| FZ476M016HEHTA         | 16        | 47          | 20                   | 7.52                 | 0.44                          | 230                                | 2000      | 6.3x5.7          |
| FZ566M016HEHTA         | 16        | 56          | 20                   | 8.96                 | 0.44                          | 230                                | 2000      | 6.3x5.7          |
| FZ686M016HEHTA         | 16        | 68          | 20                   | 10.88                | 0.44                          | 230                                | 2000      | 6.3x5.7          |
| FZ107M016HEHTA         | 16        | 100         | 20                   | 16.00                | 0.44                          | 230                                | 2000      | 6.3x5.7          |
| FZ157M016HEJTA         | 16        | 150         | 20                   | 24.00                | 0.36                          | 280                                | 3000      | 6.3x7.7          |
| FZ157M016HFITA         | 16        | 150         | 20                   | 24.00                | 0.36                          | 280                                | 3000      | 8x6.5            |
| FZ227M016HEJTA         | 16        | 220         | 20                   | 35.20                | 0.36                          | 280                                | 3000      | 6.3x7.7          |
| FZ337M016HFKTA         | 16        | 330         | 20                   | 52.80                | 0.17                          | 450                                | 5000      | 8x10.5           |
| FZ337M016HGJTA         | 16        | 330         | 20                   | 52.80                | 0.17                          | 450                                | 3000      | 10x7.7           |
| FZ477M016HFKTA         | 16        | 470         | 20                   | 75.20                | 0.17                          | 450                                | 5000      | 8x10.5           |
| FZ687M016HGKTA         | 16        | 680         | 20                   | 108.80               | 0.09                          | 850                                | 5000      | 10x10.5          |
| FZ108M016HGNTA         | 16        | 1000        | 22                   | 160.00               | 0.08                          | 720                                | 5000      | 10x13.5          |
| FZ108M016HPNTA         | 16        | 1000        | 22                   | 160.00               | 0.07                          | 820                                | 5000      | 12.5x13.5        |
| FZ158M016HPNTA         | 16        | 1500        | 22                   | 240.00               | 0.07                          | 820                                | 5000      | 12.5x13.5        |
|                        |           |             |                      |                      |                               |                                    |           |                  |
|                        |           |             |                      |                      |                               |                                    |           |                  |

ELECTRICAL CHARACTERISTICS - Ta = 25°C, FOR DIFFERENT NEXTGEN ORDER PART NO.

| NEXTGEN ORDER PART NO.         | RATE VOL. | CAPACITANCE | MAX. DF @20°C, 120HZ | MAX. LEAKAGE CURRENT | MAX. IMPEDANCE @ 20 °C 100KHZ | MAX. RIPPLE CURRENT @ 105°C 100KHZ | LOAD LIFE | CASE SIZE ØD X L |
|--------------------------------|-----------|-------------|----------------------|----------------------|-------------------------------|------------------------------------|-----------|------------------|
|                                | V         | µF          | %                    | µA                   | Ω                             | mA r.m.s                           | Hours     | mm               |
| <a href="#">FZ106M025HCHTA</a> | 25        | 10          | 18                   | 3.00                 | 1.45                          | 80                                 | 2000      | 4x5.7            |
| FZ156M025HDHTA                 | 25        | 15          | 18                   | 3.75                 | 0.80                          | 150                                | 2000      | 5x5.7            |
| FZ226M025HDHTA                 | 25        | 22          | 18                   | 5.50                 | 0.80                          | 150                                | 2000      | 5x5.7            |
| FZ276M025HEHTA                 | 25        | 27          | 18                   | 6.75                 | 0.44                          | 230                                | 2000      | 6.3x5.7          |
| FZ336M025HEHTA                 | 25        | 33          | 18                   | 8.25                 | 0.44                          | 230                                | 2000      | 6.3x5.7          |
| FZ476M025HEHTA                 | 25        | 47          | 18                   | 11.75                | 0.44                          | 230                                | 2000      | 6.3x5.7          |
| FZ566M025HEHTA                 | 25        | 56          | 18                   | 14.00                | 0.44                          | 230                                | 2000      | 6.3x5.7          |
| FZ686M025HEHTA                 | 25        | 68          | 18                   | 17.00                | 0.44                          | 230                                | 2000      | 6.3x5.7          |
| FZ107M025HEJTA                 | 25        | 100         | 18                   | 25.00                | 0.36                          | 280                                | 3000      | 6.3x7.7          |
| FZ107M025HFITA                 | 25        | 100         | 18                   | 25.00                | 0.36                          | 280                                | 3000      | 8x6.5            |
| FZ157M025HFKTA                 | 25        | 150         | 18                   | 37.50                | 0.17                          | 450                                | 5000      | 8x10.5           |
| FZ227M025HFKTA                 | 25        | 220         | 18                   | 55.00                | 0.17                          | 450                                | 5000      | 8x10.5           |
| FZ227M025HGJTA                 | 25        | 220         | 18                   | 55.00                | 0.17                          | 450                                | 3000      | 10x7.7           |
| FZ337M025HFKTA                 | 25        | 330         | 18                   | 82.50                | 0.17                          | 450                                | 5000      | 8x10.5           |
| FZ337M025HFKTB                 | 25        | 330         | 18                   | 82.50                | 0.16                          | 600                                | 5000      | 8x10.5           |
| FZ337M025HGKTA                 | 25        | 330         | 18                   | 82.50                | 0.09                          | 670                                | 5000      | 10x10.5          |
| FZ477M025HGKTA                 | 25        | 470         | 18                   | 117.50               | 0.09                          | 670                                | 5000      | 10x10.5          |
| FZ477M025HGKTB                 | 25        | 470         | 18                   | 117.50               | 0.09                          | 850                                | 5000      | 10x10.5          |
| FZ687M025HGNTA                 | 25        | 680         | 18                   | 170.00               | 0.08                          | 720                                | 5000      | 10x13.5          |
| FZ687M025HPNTA                 | 25        | 680         | 18                   | 170.00               | 0.07                          | 820                                | 5000      | 12.5x13.5        |

**ELECTRICAL CHARACTERISTICS - Ta = 25°C, FOR DIFFERENT NEXTGEN ORDER PART NO.**

| NEXTGEN ORDER PART NO. | RATE VOL. | CAPACITANCE | MAX. DF @20°C, 120HZ | MAX. LEAKAGE CURRENT | MAX. IMPEDANCE @20 °C 100KHZ | MAX. RIPPLE CURRENT @ 105°C 100KHZ | LOAD LIFE | CASE SIZE ØD X L |
|------------------------|-----------|-------------|----------------------|----------------------|------------------------------|------------------------------------|-----------|------------------|
|                        | V         | µF          | %                    | µA                   | Ω                            | mA r.m.s                           | Hours     | mm               |
| FZ108M025HPNTA         | 25        | 1000        | 20                   | 250.00               | 0.07                         | 820                                | 5000      | 12.5x13.5        |
| FZ108M025HPNTB         | 25        | 1000        | 20                   | 250.00               | 0.06                         | 1100                               | 5000      | 12.5x13.5        |
|                        |           |             |                      |                      |                              |                                    |           |                  |
|                        |           |             |                      |                      |                              |                                    |           |                  |
|                        |           |             |                      |                      |                              |                                    |           |                  |
|                        |           |             |                      |                      |                              |                                    |           |                  |
|                        |           |             |                      |                      |                              |                                    |           |                  |
|                        |           |             |                      |                      |                              |                                    |           |                  |
|                        |           |             |                      |                      |                              |                                    |           |                  |
|                        |           |             |                      |                      |                              |                                    |           |                  |
|                        |           |             |                      |                      |                              |                                    |           |                  |
|                        |           |             |                      |                      |                              |                                    |           |                  |
|                        |           |             |                      |                      |                              |                                    |           |                  |
|                        |           |             |                      |                      |                              |                                    |           |                  |
|                        |           |             |                      |                      |                              |                                    |           |                  |
|                        |           |             |                      |                      |                              |                                    |           |                  |
|                        |           |             |                      |                      |                              |                                    |           |                  |
|                        |           |             |                      |                      |                              |                                    |           |                  |
|                        |           |             |                      |                      |                              |                                    |           |                  |
|                        |           |             |                      |                      |                              |                                    |           |                  |
|                        |           |             |                      |                      |                              |                                    |           |                  |
|                        |           |             |                      |                      |                              |                                    |           |                  |
|                        |           |             |                      |                      |                              |                                    |           |                  |
|                        |           |             |                      |                      |                              |                                    |           |                  |
|                        |           |             |                      |                      |                              |                                    |           |                  |

ELECTRICAL CHARACTERISTICS - Ta = 25°C, FOR DIFFERENT NEXTGEN ORDER PART NO.

| NEXTGEN<br>ORDER PART NO. | RATE<br>VOL. | CAPACI-<br>TANCE | MAX.<br>DF<br>@20°C,<br>120HZ | MAX.<br>LEAKAGE<br>CURRENT | MAX.<br>IMPEDANCE<br>@ 20 °C<br>100KHZ | MAX.<br>RIPPLE<br>CURRENT<br>@ 105°C<br>100KHZ | LOAD<br>LIFE | CASE<br>SIZE<br>ØD X L |
|---------------------------|--------------|------------------|-------------------------------|----------------------------|--|--|--------------|------------------------|
|                           | V            | µF               | %                             | µA                         | Ω                                      | mA r.m.s                                       | Hours        | mm                     |
| FZ475M035HCHTA            | 35           | 4.7              | 14                            | 3.00                       | 1.45                                   | 80   | 2000         | 4x5.7                  |
| FZ106M035HDHTA            | 35           | 10               | 14                            | 3.50                       | 0.80                                   | 150  | 2000         | 5x5.7                  |
| FZ156M035HDHTA            | 35           | 15               | 14                            | 5.25                       | 0.80                                   | 150  | 2000         | 5x5.7                  |
| FZ226M035HDHTA            | 35           | 22               | 14                            | 7.70                       | 0.80                                   | 150  | 2000         | 5x5.7                  |
| FZ226M035HEHTA            | 35           | 22               | 14                            | 7.70                       | 0.80                                   | 150  | 2000         | 6.3x5.7                |
| FZ226M035HEHTB            | 35           | 22               | 14                            | 7.70                       | 0.44                                   | 230  | 2000         | 6.3x5.7                |
| FZ276M035HEHTA            | 35           | 27               | 14                            | 9.45                       | 0.44                                   | 230  | 2000         | 6.3x5.7                |
| FZ336M035HEHTA            | 35           | 33               | 14                            | 11.55                      | 0.44                                   | 230  | 2000         | 6.3x5.7                |
| FZ476M035HEHTA            | 35           | 47               | 14                            | 16.45                      | 0.44                                   | 230  | 2000         | 6.3x5.7                |
| FZ476M035HFITA            | 35           | 47               | 14                            | 16.45                      | 0.44                                   | 230  | 3000         | 8x6.5                  |
| FZ566M035HEJTA            | 35           | 56               | 14                            | 19.60                      | 0.36                                   | 280  | 3000         | 6.3x7.7                |
| FZ686M035HEJTA            | 35           | 68               | 14                            | 23.80                      | 0.36                                   | 280  | 3000         | 6.3x7.7                |
| FZ107M035HEJTA            | 35           | 100              | 14                            | 35.00                      | 0.36                                   | 280  | 3000         | 6.3x7.7                |
| FZ107M035HFKTA            | 35           | 100              | 14                            | 35.00                      | 0.17                                   | 450  | 5000         | 8x10.5                 |
| FZ157M035HFKTA            | 35           | 150              | 14                            | 52.50                      | 0.17                                   | 450  | 5000         | 8x10.5                 |
| FZ157M035HGJTA            | 35           | 150              | 14                            | 52.50                      | 0.17                                   | 450  | 3000         | 10x7.7                 |
| FZ227M035HFKTA            | 35           | 220              | 14                            | 77.00                      | 0.17                                   | 600  | 5000         | 8x10.5                 |
| FZ227M035HGKTA            | 35           | 220              | 14                            | 77.00                      | 0.09                                   | 670  | 5000         | 10x10.5                |
| FZ337M035HGKTA            | 35           | 330              | 16                            | 115.50                     | 0.09                                   | 670  | 5000         | 10x10.5                |
| FZ477M035HGNTA            | 35           | 470              | 18                            | 164.50                     | 0.08                                   | 720  | 5000         | 10x13.5                |

**ELECTRICAL CHARACTERISTICS** - Ta = 25°C, FOR DIFFERENT NEXTGEN ORDER PART NO.

| NEXTGEN<br>ORDER PART NO. | RATE<br>VOL. | CAPACI-<br>TANCE | MAX.<br>DF<br>@20°C,<br>120HZ | MAX.<br>LEAKAGE<br>CURRENT | MAX.<br>IMPEDANCE<br>@20 °C<br>100KHZ | MAX.<br>RIPPLE<br>CURRENT<br>@ 105°C<br>100KHZ | LOAD<br>LIFE | CASE<br>SIZE<br>ØD X L |
|---------------------------|--------------|------------------|-------------------------------|----------------------------|---------------------------------------|--|--------------|------------------------|
|                           | V            | µF               | %                             | µA                         | Ω                                     | mA r.m.s                                       | Hours        | mm                     |
| FZ477M035HPNTA            | 35           | 470              | 18                            | 164.50                     | 0.07                                  | 820  | 5000         | 12.5x13.5              |
| FZ687M035HPNTA            | 35           | 680              | 18                            | 238.00                     | 0.07                                  | 820  | 5000         | 12.5x13.5              |
|                           |              |                  |                               |                            |                                       |  |              |                        |
|                           |              |                  |                               |                            |                                       |  |              |                        |
|                           |              |                  |                               |                            |                                       |  |              |                        |
|                           |              |                  |                               |                            |                                       |  |              |                        |
|                           |              |                  |                               |                            |                                       |  |              |                        |
|                           |              |                  |                               |                            |                                       |  |              |                        |
|                           |              |                  |                               |                            |                                       |  |              |                        |
|                           |              |                  |                               |                            |                                       |  |              |                        |
|                           |              |                  |                               |                            |                                       |  |              |                        |
|                           |              |                  |                               |                            |                                       |  |              |                        |
|                           |              |                  |                               |                            |                                       |  |              |                        |
|                           |              |                  |                               |                            |                                       |  |              |                        |
|                           |              |                  |                               |                            |                                       |  |              |                        |
|                           |              |                  |                               |                            |                                       |  |              |                        |
|                           |              |                  |                               |                            |                                       |  |              |                        |
|                           |              |                  |                               |                            |                                       |  |              |                        |
|                           |              |                  |                               |                            |                                       |  |              |                        |
|                           |              |                  |                               |                            |                                       |  |              |                        |

ELECTRICAL CHARACTERISTICS - Ta = 25°C, FOR DIFFERENT NEXTGEN ORDER PART NO.

| NEXTGEN<br>ORDER PART NO. | RATE<br>VOL. | CAPACI-<br>TANCE | MAX.<br>DF<br>@20°C,<br>120HZ | MAX.<br>LEAKAGE<br>CURRENT | MAX.<br>IMPEDANCE<br>@ 20 °C<br>100KHZ | MAX.<br>RIPPLE<br>CURRENT<br>@ 105°C<br>100KHZ | LOAD<br>LIFE | CASE<br>SIZE<br>ØD X L |
|---------------------------|--------------|------------------|-------------------------------|----------------------------|--|--|--------------|------------------------|
|                           | V            | µF               | %                             | µA                         | Ω                                      | mA r.m.s                                       | Hours        | mm                     |
| FZ105M050HCHTA            | 50           | 1                | 12                            | 3.00                       | 2.90                                   | 60   | 2000         | 4x5.7                  |
| FZ475M050HCHTA            | 50           | 4.7              | 12                            | 3.00                       | 2.90                                   | 60   | 2000         | 4x5.7                  |
| FZ106M050HDHTB            | 50           | 10               | 12                            | 5.00                       | 1.52                                   | 85   | 2000         | 5x5.7                  |
| FZ106M050HEHTA            | 50           | 10               | 12                            | 5.00                       | 0.88                                   | 165  | 2000         | 6.3x5.7                |
| FZ226M050HEHTA            | 50           | 22               | 12                            | 11.00                      | 0.88                                   | 165  | 2000         | 6.3x5.7                |
| FZ276M050HEJTA            | 50           | 27               | 12                            | 13.50                      | 0.68                                   | 185  | 3000         | 6.3x7.7                |
| FZ336M050HEJTA            | 50           | 33               | 12                            | 16.50                      | 0.68                                   | 185  | 3000         | 6.3x7.7                |
| FZ476M050HEJTA            | 50           | 47               | 12                            | 23.50                      | 0.68                                   | 185  | 3000         | 6.3x7.7                |
| FZ476M050HEJTB            | 50           | 47               | 12                            | 23.50                      | 0.68                                   | 195  | 3000         | 6.3x7.7                |
| FZ476M050HFITA            | 50           | 47               | 12                            | 23.50                      | 0.68                                   | 185  | 3000         | 8x6.5                  |
| FZ476M050HFITB            | 50           | 47               | 12                            | 23.50                      | 0.68                                   | 195  | 3000         | 8x6.5                  |
| FZ566M050HFKTA            | 50           | 56               | 12                            | 28.00                      | 0.34                                   | 360  | 5000         | 8x10.5                 |
| FZ686M050HFKTA            | 50           | 68               | 12                            | 34.00                      | 0.34                                   | 360  | 5000         | 8x10.5                 |
| FZ107M050HFKTA            | 50           | 100              | 12                            | 50.00                      | 0.34                                   | 360  | 5000         | 8x10.5                 |
| FZ107M050HGJTA            | 50           | 100              | 12                            | 50.00                      | 0.34                                   | 330  | 3000         | 10x7.7                 |
| FZ157M050HGKTA            | 50           | 150              | 12                            | 75.00                      | 0.18                                   | 670  | 5000         | 10x10.5                |
| FZ227M050HGKTA            | 50           | 220              | 12                            | 110.00                     | 0.18                                   | 670  | 5000         | 10x10.5                |
| FZ337M050HPNTA            | 50           | 330              | 12                            | 165.00                     | 0.12                                   | 900  | 5000         | 12.5x13.5              |
|                           |              |                  |                               |                            |  |  |              |                        |
|                           |              |                  |                               |                            |  |  |              |                        |

ELECTRICAL CHARACTERISTICS - Ta = 25°C, FOR DIFFERENT NEXTGEN ORDER PART NO.

| NEXTGEN ORDER PART NO. | RATE VOL. | CAPACITANCE | MAX. DF @20°C, 120HZ | MAX. LEAKAGE CURRENT | MAX. IMPEDANCE @ 20 °C 100KHZ | MAX. RIPPLE CURRENT @ 105°C 100KHZ | LOAD LIFE | CASE SIZE ØD X L |
|------------------------|-----------|-------------|----------------------|----------------------|-------------------------------|------------------------------------|-----------|------------------|
|                        | V         | µF          | %                    | µA                   | Ω                             | mA r.m.s                           | Hours     | mm               |
| FZ475M063HDHTA         | 63        | 4.7         | 12                   | 3.00                 | 2.90                          | 60                                 | 2000      | 5x5.7            |
| FZ106M063HEHTA         | 63        | 10          | 12                   | 6.30                 | 1.50                          | 80                                 | 2000      | 6.3x5.7          |
| FZ226M063HEJTA         | 63        | 22          | 12                   | 13.86                | 1.20                          | 120                                | 3000      | 6.3x7.7          |
| FZ336M063HFITA         | 63        | 33          | 12                   | 20.79                | 1.20                          | 120                                | 3000      | 8x6.5            |
| FZ336M063HFKTA         | 63        | 33          | 12                   | 20.79                | 0.65                          | 250                                | 5000      | 8x10.5           |
| FZ476M063HFKTA         | 63        | 47          | 12                   | 29.61                | 0.65                          | 250                                | 5000      | 8x10.5           |
| FZ566M063HFKTA         | 63        | 56          | 12                   | 35.28                | 0.65                          | 250                                | 5000      | 8x10.5           |
| FZ686M063HFKTA         | 63        | 68          | 12                   | 42.84                | 0.65                          | 250                                | 5000      | 8x10.5           |
| FZ107M063HGKTA         | 63        | 100         | 12                   | 63.00                | 0.35                          | 400                                | 5000      | 10x10.5          |
| FZ107M063HPNTA         | 63        | 100         | 14                   | 63.00                | 0.16                          | 800                                | 5000      | 12.5x13.5        |
| FZ157M063HPNTA         | 63        | 150         | 14                   | 94.50                | 0.16                          | 800                                | 5000      | 12.5x13.5        |
| FZ227M063HPNTA         | 63        | 220         | 14                   | 138.60               | 0.16                          | 800                                | 5000      | 12.5x13.5        |
|                        |           |             |                      |                      |                               |                                    |           |                  |
|                        |           |             |                      |                      |                               |                                    |           |                  |
|                        |           |             |                      |                      |                               |                                    |           |                  |
|                        |           |             |                      |                      |                               |                                    |           |                  |
|                        |           |             |                      |                      |                               |                                    |           |                  |
|                        |           |             |                      |                      |                               |                                    |           |                  |
|                        |           |             |                      |                      |                               |                                    |           |                  |
|                        |           |             |                      |                      |                               |                                    |           |                  |
|                        |           |             |                      |                      |                               |                                    |           |                  |
|                        |           |             |                      |                      |                               |                                    |           |                  |
|                        |           |             |                      |                      |                               |                                    |           |                  |



ELECTRICAL CHARACTERISTICS - Ta = 25°C, FOR DIFFERENT NEXTGEN ORDER PART NO.

| NEXTGEN<br>ORDER PART NO. | RATE<br>VOL. | CAPACI-<br>TANCE | MAX.<br>DF<br>@20°C,<br>120HZ | MAX.<br>LEAKAGE<br>CURRENT | MAX.<br>IMPEDANCE<br>@ 20 °C<br>100KHZ | MAX.<br>RIPPLE<br>CURRENT<br>@ 105°C<br>100KHZ | LOAD<br>LIFE | CASE<br>SIZE<br>ØD X L |
|---------------------------|--------------|------------------|-------------------------------|----------------------------|--|--|--------------|------------------------|
|                           | V            | µF               | %                             | µA                         | Ω                                      | mA r.m.s                                       | Hours        | mm                     |
| FZ475M080HEHTA            | 80           | 4.7              | 12                            | 3.76                       | 3.00                                   | 40   | 2000         | 6.3x5.7                |
| FZ106M080HEJTA            | 80           | 10               | 12                            | 8.00                       | 2.40                                   | 60   | 3000         | 6.3x7.7                |
| FZ226M080HFKTA            | 80           | 22               | 12                            | 17.60                      | 1.30                                   | 130  | 5000         | 8x10.5                 |
| FZ276M080HGKTA            | 80           | 27               | 12                            | 21.60                      | 0.70                                   | 200  | 5000         | 10x10.5                |
| FZ336M080HFKTA            | 80           | 33               | 12                            | 26.40                      | 1.30                                   | 130  | 5000         | 8x10.5                 |
| FZ476M080HGKTA            | 80           | 47               | 12                            | 37.60                      | 0.70                                   | 200  | 5000         | 10x10.5                |
| FZ686M080HGNTA            | 80           | 68               | 14                            | 54.40                      | 0.45                                   | 300  | 5000         | 10x13.5                |
| FZ107M080HGNTA            | 80           | 100              | 14                            | 80.00                      | 0.45                                   | 300  | 5000         | 10x13.5                |
| FZ107M080HPNTA            | 80           | 100              | 14                            | 80.00                      | 0.32                                   | 500  | 5000         | 12.5x13.5              |
| FZ157M080HPNTA            | 80           | 150              | 14                            | 120.00                     | 0.32                                   | 500  | 5000         | 12.5x13.5              |
|                           |              |                  |                               |                            |  |  |              |                        |
|                           |              |                  |                               |                            |  |  |              |                        |
|                           |              |                  |                               |                            |  |  |              |                        |
|                           |              |                  |                               |                            |  |  |              |                        |
|                           |              |                  |                               |                            |  |  |              |                        |
|                           |              |                  |                               |                            |  |  |              |                        |
|                           |              |                  |                               |                            |  |  |              |                        |
|                           |              |                  |                               |                            |  |  |              |                        |
|                           |              |                  |                               |                            |  |  |              |                        |
|                           |              |                  |                               |                            |  |  |              |                        |
|                           |              |                  |                               |                            |  |  |              |                        |
|                           |              |                  |                               |                            |  |  |              |                        |
|                           |              |                  |                               |                            |  |  |              |                        |
|                           |              |                  |                               |                            |  |  |              |                        |
|                           |              |                  |                               |                            |  |  |              |                        |
|                           |              |                  |                               |                            |  |  |              |                        |

ELECTRICAL CHARACTERISTICS - Ta = 25°C, FOR DIFFERENT NEXTGEN ORDER PART NO.

| NEXTGEN ORDER PART NO. | RATE VOL. | CAPACITANCE | MAX. DF @20°C, 120HZ | MAX. LEAKAGE CURRENT | MAX. IMPEDANCE @ 20 °C 100KHZ | MAX. RIPPLE CURRENT @ 105°C 100KHZ | LOAD LIFE | CASE SIZE ØD X L |
|------------------------|-----------|-------------|----------------------|----------------------|-------------------------------|------------------------------------|-----------|------------------|
|                        | V         | µF          | %                    | µA                   | Ω                             | mA r.m.s                           | Hours     | mm               |
| FZ226M100HFKTA         | 100       | 22          | 12                   | 22.00                | 1.30                          | 130                                | 5000      | 8x10.5           |
| FZ336M100HGKTA         | 100       | 33          | 12                   | 33.00                | 0.70                          | 200                                | 5000      | 10x10.5          |
| FZ476M100HPNTA         | 100       | 47          | 14                   | 47.00                | 0.32                          | 500                                | 5000      | 12.5x13.5        |
| FZ686M100HPNTA         | 100       | 68          | 14                   | 68.00                | 0.32                          | 500                                | 5000      | 12.5x13.5        |
| FZ107M100HPNTA         | 100       | 100         | 14                   | 100.00               | 0.32                          | 500                                | 5000      | 12.5x13.5        |
|                        |           |             |                      |                      |                               |                                    |           |                  |
|                        |           |             |                      |                      |                               |                                    |           |                  |
|                        |           |             |                      |                      |                               |                                    |           |                  |
|                        |           |             |                      |                      |                               |                                    |           |                  |
|                        |           |             |                      |                      |                               |                                    |           |                  |
|                        |           |             |                      |                      |                               |                                    |           |                  |
|                        |           |             |                      |                      |                               |                                    |           |                  |
|                        |           |             |                      |                      |                               |                                    |           |                  |
|                        |           |             |                      |                      |                               |                                    |           |                  |
|                        |           |             |                      |                      |                               |                                    |           |                  |
|                        |           |             |                      |                      |                               |                                    |           |                  |
|                        |           |             |                      |                      |                               |                                    |           |                  |
|                        |           |             |                      |                      |                               |                                    |           |                  |
|                        |           |             |                      |                      |                               |                                    |           |                  |
|                        |           |             |                      |                      |                               |                                    |           |                  |
|                        |           |             |                      |                      |                               |                                    |           |                  |
|                        |           |             |                      |                      |                               |                                    |           |                  |

## CHARACTERISTICS

### Standard Atmospheric Conditions

The standard range of atmospheric conditions for making measurements/test as follows:

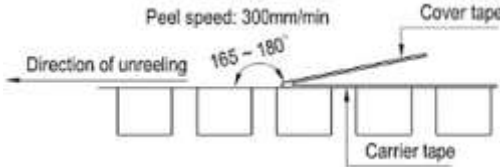
- Ambient temperature: 15 °C to 35 °C
- Relative humidity: 45% to 85%
- Air Pressure: 86kPa to 106kPa
- If there is any doubt about the results, measurement shall be made within the following conditions:
- Ambient temperature: 20 °C  $\pm$  2 °C
- Relative humidity: 60% to 70%
- Air Pressure: 86kPa to 106kPa
- As to the detailed information, please refer to following Table

### Operating Temperature Range

The ambient temperature range at which the capacitor can be operated continuously at rated voltage is  
-55 °C to 105 °C.

As to the detailed information, please refer to the mentioned table next pages.

| ITEM                               | PERFORMANCE  |      |          |      |      |    |    |       |       |      |      |      |      |      |      |      |      |      |      |      |      |   |   |      |      |      |   |   |      |          |    |    |     |       |      |      |      |      |     |      |      |      |     |      |      |      |
|------------------------------------|--|------|----------|------|------|----|----|-------|-------|------|------|------|------|------|------|------|------|------|------|------|------|---|---|------|------|------|---|---|------|----------|----|----|-----|-------|------|------|------|------|-----|------|------|------|-----|------|------|------|
| Nominal Capacitance<br>(Tolerance) | <p>&lt;Condition&gt;</p> <p>Measuring Frequency : 120Hz ± 12Hz</p> <p>Measuring Voltage : Not more than 0.5V</p> <p>Measuring Temperature : 20 ± 2°C</p> <p>&lt;Criteria&gt;</p> <p>Shall be within the specified capacitance tolerance</p>  |      |          |      |      |    |    |       |       |      |      |      |      |      |      |      |      |      |      |      |      |   |   |      |      |      |   |   |      |          |    |    |     |       |      |      |      |      |     |      |      |      |     |      |      |      |
| Leakage Current                    | <p>&lt;Condition&gt;</p> <p>After DC Voltage is applied to capacitors through the series protective resistor (1kΩ ± 10Ω) so that terminal voltage may reach the reacted use voltage. The leakage current when measured in 2 minutes shall not exceed the values of the following equation.</p> <p>&lt;Criteria&gt;</p> <p><math>I (\mu A) \leq 0.01 CV</math> or <math>3 (\mu A)</math>, Whichever is greater</p> <p>I: Leakage Current (μA)</p> <p>C: Capacitance (μF)</p> <p>V: Rated Working Voltage (V)</p>  |      |          |      |      |    |    |       |       |      |      |      |      |      |      |      |      |      |      |      |      |   |   |      |      |      |   |   |      |          |    |    |     |       |      |      |      |      |     |      |      |      |     |      |      |      |
| tan δ                              | <p>&lt;Condition&gt;</p> <p>See Normal Capacitance, for measuring frequency, voltage and temperature.</p> <p>&lt;Criteria&gt;</p> <p>The tangent of the loss angle (tan δ) of the capacitors shall refer to the following table. Measurements shall be made under the same conditions as those given for the measurement of the capacitance.</p> <table border="1" data-bbox="402 1421 1058 1680"> <thead> <tr> <th>W.V.</th> <th>Cap.(μF)</th> <th>6.3</th> <th>10</th> <th>16</th> <th>25</th> </tr> </thead> <tbody> <tr> <td rowspan="4">tan δ</td> <td>&lt;1000</td> <td>0.26</td> <td>0.22</td> <td>0.20</td> <td>0.18</td> </tr> <tr> <td>1000</td> <td>0.28</td> <td>0.24</td> <td>0.22</td> <td>0.20</td> </tr> <tr> <td>1500</td> <td>0.28</td> <td>0.27</td> <td>/</td> <td>/</td> </tr> <tr> <td>2200</td> <td>0.34</td> <td>0.29</td> <td>/</td> <td>/</td> </tr> </tbody> </table> <table border="1" data-bbox="402 1701 953 1908"> <thead> <tr> <th>W.V.</th> <th>Cap.(μF)</th> <th>35</th> <th>50</th> <th>100</th> </tr> </thead> <tbody> <tr> <td rowspan="3">tan δ</td> <td>&lt;330</td> <td>0.14</td> <td>0.12</td> <td>0.14</td> </tr> <tr> <td>330</td> <td>0.16</td> <td>0.12</td> <td>0.18</td> </tr> <tr> <td>470</td> <td>0.18</td> <td>0.14</td> <td>0.18</td> </tr> </tbody> </table> <p>Remark: Refer to this document for tan δ of other voltages.</p> | W.V. | Cap.(μF) | 6.3  | 10   | 16 | 25 | tan δ | <1000 | 0.26 | 0.22 | 0.20 | 0.18 | 1000 | 0.28 | 0.24 | 0.22 | 0.20 | 1500 | 0.28 | 0.27 | / | / | 2200 | 0.34 | 0.29 | / | / | W.V. | Cap.(μF) | 35 | 50 | 100 | tan δ | <330 | 0.14 | 0.12 | 0.14 | 330 | 0.16 | 0.12 | 0.18 | 470 | 0.18 | 0.14 | 0.18 |
| W.V.                               | Cap.(μF)   | 6.3  | 10       | 16   | 25   |    |    |       |       |      |      |      |      |      |      |      |      |      |      |      |      |   |   |      |      |      |   |   |      |          |    |    |     |       |      |      |      |      |     |      |      |      |     |      |      |      |
| tan δ                              | <1000  | 0.26 | 0.22     | 0.20 | 0.18 |    |    |       |       |      |      |      |      |      |      |      |      |      |      |      |      |   |   |      |      |      |   |   |      |          |    |    |     |       |      |      |      |      |     |      |      |      |     |      |      |      |
|                                    | 1000   | 0.28 | 0.24     | 0.22 | 0.20 |    |    |       |       |      |      |      |      |      |      |      |      |      |      |      |      |   |   |      |      |      |   |   |      |          |    |    |     |       |      |      |      |      |     |      |      |      |     |      |      |      |
|                                    | 1500   | 0.28 | 0.27     | /    | /    |    |    |       |       |      |      |      |      |      |      |      |      |      |      |      |      |   |   |      |      |      |   |   |      |          |    |    |     |       |      |      |      |      |     |      |      |      |     |      |      |      |
|                                    | 2200   | 0.34 | 0.29     | /    | /    |    |    |       |       |      |      |      |      |      |      |      |      |      |      |      |      |   |   |      |      |      |   |   |      |          |    |    |     |       |      |      |      |      |     |      |      |      |     |      |      |      |
| W.V.                               | Cap.(μF)   | 35   | 50       | 100  |      |    |    |       |       |      |      |      |      |      |      |      |      |      |      |      |      |   |   |      |      |      |   |   |      |          |    |    |     |       |      |      |      |      |     |      |      |      |     |      |      |      |
| tan δ                              | <330   | 0.14 | 0.12     | 0.14 |      |    |    |       |       |      |      |      |      |      |      |      |      |      |      |      |      |   |   |      |      |      |   |   |      |          |    |    |     |       |      |      |      |      |     |      |      |      |     |      |      |      |
|                                    | 330  | 0.16 | 0.12     | 0.18 |      |    |    |       |       |      |      |      |      |      |      |      |      |      |      |      |      |   |   |      |      |      |   |   |      |          |    |    |     |       |      |      |      |      |     |      |      |      |     |      |      |      |
|                                    | 470  | 0.18 | 0.14     | 0.18 |      |    |    |       |       |      |      |      |      |      |      |      |      |      |      |      |      |   |   |      |      |      |   |   |      |          |    |    |     |       |      |      |      |      |     |      |      |      |     |      |      |      |

| ITEM  | PERFORMANCE  |                                   |                         |      |      |        |                                   |     |              |                                   |     |              |                                   |      |         |                                   |      |        |                                   |                   |     |    |    |    |    |    |       |     |                       |   |   |   |   |   |   |   |   |                       |   |   |   |   |   |   |   |   |
|---|--|-----------------------------------|-------------------------|------|------|--------|-----------------------------------|-----|--------------|-----------------------------------|-----|--------------|-----------------------------------|------|---------|-----------------------------------|------|--------|-----------------------------------|-------------------|-----|----|----|----|----|----|-------|-----|-----------------------|---|---|---|---|---|---|---|---|-----------------------|---|---|---|---|---|---|---|---|
| Rated voltage (WV)<br>Surge voltage (SV)    | <table border="1"> <tr> <td>W.V. (V.DC)</td> <td>6.3</td> <td>10</td> <td>16</td> <td>25</td> <td>35</td> <td>50</td> <td>63</td> <td>80</td> <td>100</td> </tr> <tr> <td>S.V. (V.DC.)</td> <td>7.2</td> <td>11.5</td> <td>18.4</td> <td>28.8</td> <td>40.2</td> <td>57.5</td> <td>72.5</td> <td>92</td> <td>115</td> </tr> </table>   | W.V. (V.DC)                       | 6.3                     | 10   | 16   | 25     | 35                                | 50  | 63           | 80                                | 100 | S.V. (V.DC.) | 7.2                               | 11.5 | 18.4    | 28.8                              | 40.2 | 57.5   | 72.5                              | 92                | 115 |    |    |    |    |    |       |     |                       |   |   |   |   |   |   |   |   |                       |   |   |   |   |   |   |   |   |
| W.V. (V.DC)                                 | 6.3  | 10                                | 16                      | 25   | 35   | 50     | 63                                | 80  | 100          |                                   |     |              |                                   |      |         |                                   |      |        |                                   |                   |     |    |    |    |    |    |       |     |                       |   |   |   |   |   |   |   |   |                       |   |   |   |   |   |   |   |   |
| S.V. (V.DC.)                                | 7.2  | 11.5                              | 18.4                    | 28.8 | 40.2 | 57.5   | 72.5                              | 92  | 115          |                                   |     |              |                                   |      |         |                                   |      |        |                                   |                   |     |    |    |    |    |    |       |     |                       |   |   |   |   |   |   |   |   |                       |   |   |   |   |   |   |   |   |
| Temperature Characteristic IEC-60384-4 4.12 | <p>&lt;Condition&gt;</p> <table border="1"> <thead> <tr> <th>Step.</th> <th>Testing Temperature(°C)</th> <th>Time</th> </tr> </thead> <tbody> <tr> <td>1</td> <td>20 ± 2</td> <td>Time to reach thermal equilibrium</td> </tr> <tr> <td>2</td> <td>-55(-25) ± 3</td> <td>Time to reach thermal equilibrium</td> </tr> <tr> <td>3</td> <td>20 ± 2</td> <td>Time to reach thermal equilibrium</td> </tr> <tr> <td>4.</td> <td>105 ± 2</td> <td>Time to reach thermal equilibrium</td> </tr> <tr> <td>5</td> <td>20 ± 2</td> <td>Time to reach thermal equilibrium</td> </tr> </tbody> </table> <p>&lt;Criteria&gt;</p> <p>a) At +105°C, capacitance shall be within ±20% of their origin at +20°C, measured capacitance, tan δ shall be within limit of 4.3. The leakage current value at +105°C shall not more than 8 times the specified value.</p> <p>b) At step 5, tan δ shall be within the limit of 4.3. The leakage current value shall not more than the specified value.</p> <p>c) At -55°C (-25°C), impedance (Z) ratio shall not exceed the value of the following table.</p> <table border="1"> <thead> <tr> <th>Rated Voltage (V)</th> <th>6.3</th> <th>10</th> <th>16</th> <th>25</th> <th>35</th> <th>50</th> <th>63/80</th> <th>100</th> </tr> </thead> <tbody> <tr> <td>Z-25°C/Z+20°C (120Hz)</td> <td>4</td> <td>3</td> <td>3</td> <td>2</td> <td>2</td> <td>2</td> <td>2</td> <td>2</td> </tr> <tr> <td>Z-55°C/Z+20°C (120Hz)</td> <td>8</td> <td>5</td> <td>4</td> <td>3</td> <td>3</td> <td>3</td> <td>3</td> <td>3</td> </tr> </tbody> </table> <p>d) Capacitance tan δ and impedance shall be measured at 120Hz</p> | Step.                             | Testing Temperature(°C) | Time | 1    | 20 ± 2 | Time to reach thermal equilibrium | 2   | -55(-25) ± 3 | Time to reach thermal equilibrium | 3   | 20 ± 2       | Time to reach thermal equilibrium | 4.   | 105 ± 2 | Time to reach thermal equilibrium | 5    | 20 ± 2 | Time to reach thermal equilibrium | Rated Voltage (V) | 6.3 | 10 | 16 | 25 | 35 | 50 | 63/80 | 100 | Z-25°C/Z+20°C (120Hz) | 4 | 3 | 3 | 2 | 2 | 2 | 2 | 2 | Z-55°C/Z+20°C (120Hz) | 8 | 5 | 4 | 3 | 3 | 3 | 3 | 3 |
| Step.                                       | Testing Temperature(°C)  | Time                              |                         |      |      |        |                                   |     |              |                                   |     |              |                                   |      |         |                                   |      |        |                                   |                   |     |    |    |    |    |    |       |     |                       |   |   |   |   |   |   |   |   |                       |   |   |   |   |   |   |   |   |
| 1   | 20 ± 2   | Time to reach thermal equilibrium |                         |      |      |        |                                   |     |              |                                   |     |              |                                   |      |         |                                   |      |        |                                   |                   |     |    |    |    |    |    |       |     |                       |   |   |   |   |   |   |   |   |                       |   |   |   |   |   |   |   |   |
| 2   | -55(-25) ± 3   | Time to reach thermal equilibrium |                         |      |      |        |                                   |     |              |                                   |     |              |                                   |      |         |                                   |      |        |                                   |                   |     |    |    |    |    |    |       |     |                       |   |   |   |   |   |   |   |   |                       |   |   |   |   |   |   |   |   |
| 3   | 20 ± 2   | Time to reach thermal equilibrium |                         |      |      |        |                                   |     |              |                                   |     |              |                                   |      |         |                                   |      |        |                                   |                   |     |    |    |    |    |    |       |     |                       |   |   |   |   |   |   |   |   |                       |   |   |   |   |   |   |   |   |
| 4.  | 105 ± 2  | Time to reach thermal equilibrium |                         |      |      |        |                                   |     |              |                                   |     |              |                                   |      |         |                                   |      |        |                                   |                   |     |    |    |    |    |    |       |     |                       |   |   |   |   |   |   |   |   |                       |   |   |   |   |   |   |   |   |
| 5   | 20 ± 2   | Time to reach thermal equilibrium |                         |      |      |        |                                   |     |              |                                   |     |              |                                   |      |         |                                   |      |        |                                   |                   |     |    |    |    |    |    |       |     |                       |   |   |   |   |   |   |   |   |                       |   |   |   |   |   |   |   |   |
| Rated Voltage (V)                           | 6.3  | 10                                | 16                      | 25   | 35   | 50     | 63/80                             | 100 |              |                                   |     |              |                                   |      |         |                                   |      |        |                                   |                   |     |    |    |    |    |    |       |     |                       |   |   |   |   |   |   |   |   |                       |   |   |   |   |   |   |   |   |
| Z-25°C/Z+20°C (120Hz)                       | 4  | 3                                 | 3                       | 2    | 2    | 2      | 2                                 | 2   |              |                                   |     |              |                                   |      |         |                                   |      |        |                                   |                   |     |    |    |    |    |    |       |     |                       |   |   |   |   |   |   |   |   |                       |   |   |   |   |   |   |   |   |
| Z-55°C/Z+20°C (120Hz)                       | 8  | 5                                 | 4                       | 3    | 3    | 3      | 3                                 | 3   |              |                                   |     |              |                                   |      |         |                                   |      |        |                                   |                   |     |    |    |    |    |    |       |     |                       |   |   |   |   |   |   |   |   |                       |   |   |   |   |   |   |   |   |
| Sealing Tape Reel Strength                  | <p>&lt;Condition&gt;</p> <p>Peel angle: 165 to 180°C referred to the surface on which the tape is glued.</p> <p>Peel speed: 300mm per minutes</p> <p>The peel strength must be 0.1 ~ 0.7N under these conditions.</p>    |                                   |                         |      |      |        |                                   |     |              |                                   |     |              |                                   |      |         |                                   |      |        |                                   |                   |     |    |    |    |    |    |       |     |                       |   |   |   |   |   |   |   |   |                       |   |   |   |   |   |   |   |   |

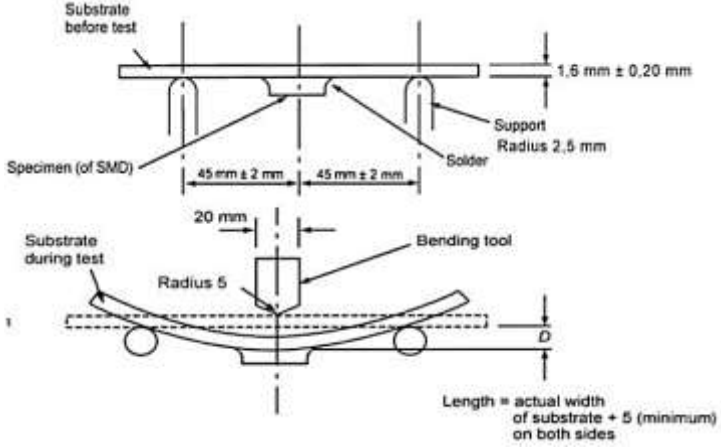
| ITEM   | PERFORMANCE  |                    |                                  |       |                                     |                 |   |            |  |                    |   |
|--|--|--------------------|----------------------------------|-------|-------------------------------------|-----------------|---|------------|--|--------------------|---|
| <p>Load Life Test<br/>IEC-60384- 4 4.13</p>  | <p>&lt;Condition&gt;<br/>The capacitor is stored at a temperature of 105° C ±2 with rated voltage applied continuously for 2000Hrs for Ø D x L≤6.3x5.7mm;3000 Hrs for 6.3x7.7L &amp; 8x6.5L &amp; 10x7.7L;5000 Hrs for Ø D ≥ 8mm. Then the product should be tested after 16 hours recovering time at atmospheric conditions. The result should meet the following table:<br/>&lt;Criteria&gt; The characteristic shall meet the following requirements.</p> <table border="1" data-bbox="396 685 1276 971"> <tr> <td>Capacitance Change</td> <td>± 30% of initial measured value.</td> </tr> <tr> <td>tan δ</td> <td>300% or less of the specified value</td> </tr> <tr> <td>Leakage current</td> <td>Not more than the specified value.</td> </tr> <tr> <td>Appearance</td> <td>No leakage of electrolyte or swelling of the case. All markings shall be legible</td> </tr> <tr> <td>Inner construction</td> <td>No corrosion of tab terminals or electrodes</td> </tr> </table> <p>Remarks: Prior to the measurement of the leakage current, the D.C. rated voltage shall be applied across the capacitor and its protective resistance (1kΩ) for 30 mines after which it shall be discharged.</p>  | Capacitance Change | ± 30% of initial measured value. | tan δ | 300% or less of the specified value | Leakage current | Not more than the specified value.        | Appearance | No leakage of electrolyte or swelling of the case. All markings shall be legible | Inner construction | No corrosion of tab terminals or electrodes |
| Capacitance Change                           | ± 30% of initial measured value.   |                    |                                  |       |                                     |                 |   |            |  |                    |   |
| tan δ  | 300% or less of the specified value  |                    |                                  |       |                                     |                 |   |            |  |                    |   |
| Leakage current                              | Not more than the specified value.   |                    |                                  |       |                                     |                 |   |            |  |                    |   |
| Appearance                                   | No leakage of electrolyte or swelling of the case. All markings shall be legible   |                    |                                  |       |                                     |                 |   |            |  |                    |   |
| Inner construction                           | No corrosion of tab terminals or electrodes  |                    |                                  |       |                                     |                 |   |            |  |                    |   |
| <p>Shelf Life Test<br/>IEC-60384- 4 4.17</p> | <p>&lt;Condition&gt;<br/>The capacitors are then stored with no voltage applied at a temperature of 105 ±2°C for 1000+48/0 hours. Following this period the capacitors shall be removed from the test chamber and be allowed to stabilized at room temperature for 4~8 hours. Next they shall be connected to a series limiting resistor(1k±100Ω) with D.C. rated voltage applied for 30min. After which the capacitors shall be discharged, and then, tested the characteristics.<br/>&lt;Criteria&gt; The characteristic shall meet the following requirements.</p> <table border="1" data-bbox="408 1543 1285 1829"> <tr> <td>Capacitance Change</td> <td>± 30% of initial measured value.</td> </tr> <tr> <td>tan δ</td> <td>300% or less of the specified value</td> </tr> <tr> <td>Leakage current</td> <td>Not more than 200% of the specified value</td> </tr> <tr> <td>Appearance</td> <td>No leakage of electrolyte or swelling of the case. All markings shall be legible</td> </tr> <tr> <td>Inner construction</td> <td>No corrosion of tab terminals or electrodes</td> </tr> </table> <p>Remark:<br/>If the capacitors are stored more than 1 year, the leakage current may increase. Please apply voltage through about 1 KΩ resistor, if necessary.</p> | Capacitance Change | ± 30% of initial measured value. | tan δ | 300% or less of the specified value | Leakage current | Not more than 200% of the specified value | Appearance | No leakage of electrolyte or swelling of the case. All markings shall be legible | Inner construction | No corrosion of tab terminals or electrodes |
| Capacitance Change                           | ± 30% of initial measured value.   |                    |                                  |       |                                     |                 |   |            |  |                    |   |
| tan δ  | 300% or less of the specified value  |                    |                                  |       |                                     |                 |   |            |  |                    |   |
| Leakage current                              | Not more than 200% of the specified value  |                    |                                  |       |                                     |                 |   |            |  |                    |   |
| Appearance                                   | No leakage of electrolyte or swelling of the case. All markings shall be legible   |                    |                                  |       |                                     |                 |   |            |  |                    |   |
| Inner construction                           | No corrosion of tab terminals or electrodes  |                    |                                  |       |                                     |                 |   |            |  |                    |   |

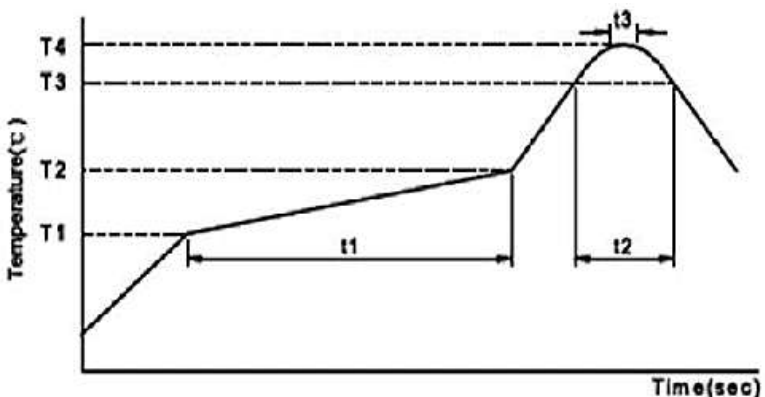
| ITEM                               | PERFORMANCE  |                 |                                   |                    |                                |       |                                    |            |   |
|------------------------------------|--|-----------------|-----------------------------------|--------------------|--------------------------------|-------|------------------------------------|------------|---|
| Surge Test<br>IEC-60384- 4 4.9     | <p>&lt;Condition&gt;</p> <p>Test temperature: 15~35°C</p> <p>Series resistor: <math>R = \frac{100 \pm 50}{C}</math></p> <p>R: protective resistor (KΩ)</p> <p>C: nominal capacitance (μF) Test voltage: Surge voltage item 4.4</p> <p>No. of cycles: 1000cycles Each cycles lasts for 6 ± 0.5min</p> <p style="text-align: center;">“ON” for 30 ± 5 s “OFF” for 5 ± 0.5min.</p> <table border="1" style="width: 100%; border-collapse: collapse; margin-top: 10px;"> <tr> <td style="width: 50%;">Leakage current</td> <td>Not more than the specified value</td> </tr> <tr> <td>Capacitance Change</td> <td>Within ± 15% of initial value.</td> </tr> <tr> <td>tan δ</td> <td>Not more than the specified value.</td> </tr> <tr> <td>Appearance</td> <td>There shall be no leakage of electrolyte.</td> </tr> </table> <p>Attention: This test simulates over voltage at abnormal situation and not be hypothesizing that over voltage is always applied.</p> | Leakage current | Not more than the specified value | Capacitance Change | Within ± 15% of initial value. | tan δ | Not more than the specified value. | Appearance | There shall be no leakage of electrolyte. |
| Leakage current                    | Not more than the specified value  |                 |                                   |                    |                                |       |                                    |            |   |
| Capacitance Change                 | Within ± 15% of initial value.   |                 |                                   |                    |                                |       |                                    |            |   |
| tan δ                              | Not more than the specified value.   |                 |                                   |                    |                                |       |                                    |            |   |
| Appearance                         | There shall be no leakage of electrolyte.  |                 |                                   |                    |                                |       |                                    |            |   |
| Vibration Test<br>IEC-60384- 4 4.8 | <p>&lt;Condition&gt;</p> <p>Fix it at the point 4 mm or less from body. For ones of 12.5 mm or more in diameter or 25 mm or Capacitance; Direction and during of vibration: 3 orthogonal directions mutually each for 2 hours (total of 6 hours)</p> <p>Vibration frequency range : 10Hz ~ 55Hz</p> <p>Peak to peak amplitude : 1.5mm</p> <p>Sweep rate : 10Hz ~ 55Hz ~ 10Hz in about 1 minute</p> <p>&lt;Criteria&gt;</p> <p>The characteristic shall meet the following requirements.</p> <table border="1" style="width: 100%; border-collapse: collapse; margin-top: 10px;"> <tr> <td style="width: 50%;">Leakage current</td> <td>Not more than the specified value</td> </tr> <tr> <td>Capacitance Change</td> <td>Within ± 10% of initial value.</td> </tr> <tr> <td>tan δ</td> <td>Not more than the specified value.</td> </tr> <tr> <td>Appearance</td> <td>There shall be no leakage of electrolyte.</td> </tr> </table>                            | Leakage current | Not more than the specified value | Capacitance Change | Within ± 10% of initial value. | tan δ | Not more than the specified value. | Appearance | There shall be no leakage of electrolyte. |
| Leakage current                    | Not more than the specified value  |                 |                                   |                    |                                |       |                                    |            |   |
| Capacitance Change                 | Within ± 10% of initial value.   |                 |                                   |                    |                                |       |                                    |            |   |
| tan δ                              | Not more than the specified value.   |                 |                                   |                    |                                |       |                                    |            |   |
| Appearance                         | There shall be no leakage of electrolyte.  |                 |                                   |                    |                                |       |                                    |            |   |

| ITEM  | PERFORMANCE  |                 |  |                    |                                |       |   |            |   |
|---|--|-----------------|--|--------------------|--------------------------------|-------|---|------------|---|
| <p>Solderability<br/>Test IEC-60384-4<br/>4.6</p> | <p>&lt;Condition&gt;<br/>The capacitor shall be tested under the following conditions:<br/>Soldering temperature: 245°C ± 3°C<br/>Dipping depth: 2mm<br/>Dipping speed: 25 ± 2.5mm/s<br/>Dipping time: 3 ± 0.5s<br/>&lt;Criteria&gt;</p> <table border="1" style="width: 100%; border-collapse: collapse;"> <tr> <td style="width: 50%;">Coating quality</td> <td>A minimum of 95% of the surface being immersed</td> </tr> </table>   | Coating quality | A minimum of 95% of the surface being immersed |                    |                                |       |   |            |   |
| Coating quality                                   | A minimum of 95% of the surface being immersed   |                 |  |                    |                                |       |   |            |   |
| <p>Resistance to solder heat test</p>             | <p>&lt;Condition&gt;<br/>After reflow soldering<br/>The capacitor shall be left at room temperature for before measurement.<br/>&lt;Criteria&gt;<br/>The characteristic shall meet the following requirements.</p> <table border="1" style="width: 100%; border-collapse: collapse;"> <tr> <td style="width: 50%;">Leakage current</td> <td>Not more than the specified value</td> </tr> <tr> <td>Capacitance Change</td> <td>Within ± 10% of initial value.</td> </tr> <tr> <td>tan δ</td> <td>Not more than the specified value.</td> </tr> <tr> <td>Appearance</td> <td>There shall be no leakage of electrolyte.</td> </tr> </table>   | Leakage current | Not more than the specified value              | Capacitance Change | Within ± 10% of initial value. | tan δ | Not more than the specified value.        | Appearance | There shall be no leakage of electrolyte. |
| Leakage current                                   | Not more than the specified value  |                 |  |                    |                                |       |   |            |   |
| Capacitance Change                                | Within ± 10% of initial value.   |                 |  |                    |                                |       |   |            |   |
| tan δ   | Not more than the specified value.   |                 |  |                    |                                |       |   |            |   |
| Appearance  | There shall be no leakage of electrolyte.  |                 |  |                    |                                |       |   |            |   |
| <p>Damp heat test<br/>IEC60384-4<br/>4.12</p>     | <p>&lt;Condition&gt;<br/>Humidity Test:<br/>According to IEC60384-4 No.4.12 methods, capacitor shall be exposed for 1000±8 hours in an atmosphere of 90~95%R H .at 60±3°C, the characteristic change shall meet the following requirement.<br/>&lt;Criteria&gt;</p> <table border="1" style="width: 100%; border-collapse: collapse;"> <tr> <td style="width: 50%;">Leakage current</td> <td>Not more than the specified value</td> </tr> <tr> <td>Capacitance Change</td> <td>Within ± 20% of initial value.</td> </tr> <tr> <td>tan δ</td> <td>Not more than 120% of the specified value</td> </tr> <tr> <td>Appearance</td> <td>There shall be no leakage of electrolyte.</td> </tr> </table> | Leakage current | Not more than the specified value              | Capacitance Change | Within ± 20% of initial value. | tan δ | Not more than 120% of the specified value | Appearance | There shall be no leakage of electrolyte. |
| Leakage current                                   | Not more than the specified value  |                 |  |                    |                                |       |   |            |   |
| Capacitance Change                                | Within ± 20% of initial value.   |                 |  |                    |                                |       |   |            |   |
| tan δ   | Not more than 120% of the specified value  |                 |  |                    |                                |       |   |            |   |
| Appearance  | There shall be no leakage of electrolyte.  |                 |  |                    |                                |       |   |            |   |



| ITEM  | PERFORMANCE  |                 |                                   |                    |                                |       |                                    |            |                         |                |   |       |            |   |        |                |   |       |            |                                  |  |  |                    |                                |       |                                    |                 |                                    |            |                          |
|---|--|-----------------|-----------------------------------|--------------------|--------------------------------|-------|------------------------------------|------------|-------------------------|----------------|---|-------|------------|---|--------|----------------|---|-------|------------|----------------------------------|--|--|--------------------|--------------------------------|-------|------------------------------------|-----------------|------------------------------------|------------|--------------------------|
| Change Of Temperature<br>Test IEC-60384-4 4.7 | <p>&lt;Condition&gt;<br/>           Temperature cycle: According to IEC60384-4 No.4.7 methods, capacitor shall be placed in an oven, the condition according as below</p> <table border="1" style="width: 100%; border-collapse: collapse; margin: 10px 0;"> <thead> <tr> <th style="width: 15%;">No.</th> <th style="width: 35%;">Temperature</th> <th style="width: 50%;">Time</th> </tr> </thead> <tbody> <tr> <td style="text-align: center;">1</td> <td style="text-align: center;">+25°C</td> <td style="text-align: center;">≤3 Minutes</td> </tr> <tr> <td style="text-align: center;">2</td> <td style="text-align: center;">-55°C</td> <td style="text-align: center;">30 ± 2 Minutes</td> </tr> <tr> <td style="text-align: center;">3</td> <td style="text-align: center;">+25°C</td> <td style="text-align: center;">≤3 Minutes</td> </tr> <tr> <td style="text-align: center;">4</td> <td style="text-align: center;">+105°C</td> <td style="text-align: center;">30 ± 2 Minutes</td> </tr> <tr> <td style="text-align: center;">5</td> <td style="text-align: center;">+25°C</td> <td style="text-align: center;">≤3 Minutes</td> </tr> <tr> <td colspan="3" style="text-align: center;">1 to 5 = 1 cycle, Total 5 cycles</td> </tr> </tbody> </table> <p>and then the capacitor shall be subjected to standard atmospheric conditions for 4 hours, after which measurements shall be made.</p> <p>&lt;Criteria&gt;<br/>           The characteristic shall meet the following requirements.</p> <table border="1" style="width: 100%; border-collapse: collapse; margin: 10px 0;"> <tbody> <tr> <td style="width: 50%;">Capacitance Change</td> <td>Within ± 10% of initial value.</td> </tr> <tr> <td>tan δ</td> <td>Not more than the specified value.</td> </tr> <tr> <td>Leakage current</td> <td>Not more than the specified value.</td> </tr> <tr> <td>Appearance</td> <td>No broken and undamaged.</td> </tr> </tbody> </table> | No.             | Temperature                       | Time               | 1                              | +25°C | ≤3 Minutes                         | 2          | -55°C                   | 30 ± 2 Minutes | 3 | +25°C | ≤3 Minutes | 4 | +105°C | 30 ± 2 Minutes | 5 | +25°C | ≤3 Minutes | 1 to 5 = 1 cycle, Total 5 cycles |  |  | Capacitance Change | Within ± 10% of initial value. | tan δ | Not more than the specified value. | Leakage current | Not more than the specified value. | Appearance | No broken and undamaged. |
| No.   | Temperature  | Time            |                                   |                    |                                |       |                                    |            |                         |                |   |       |            |   |        |                |   |       |            |                                  |  |  |                    |                                |       |                                    |                 |                                    |            |                          |
| 1   | +25°C  | ≤3 Minutes      |                                   |                    |                                |       |                                    |            |                         |                |   |       |            |   |        |                |   |       |            |                                  |  |  |                    |                                |       |                                    |                 |                                    |            |                          |
| 2   | -55°C  | 30 ± 2 Minutes  |                                   |                    |                                |       |                                    |            |                         |                |   |       |            |   |        |                |   |       |            |                                  |  |  |                    |                                |       |                                    |                 |                                    |            |                          |
| 3   | +25°C  | ≤3 Minutes      |                                   |                    |                                |       |                                    |            |                         |                |   |       |            |   |        |                |   |       |            |                                  |  |  |                    |                                |       |                                    |                 |                                    |            |                          |
| 4   | +105°C   | 30 ± 2 Minutes  |                                   |                    |                                |       |                                    |            |                         |                |   |       |            |   |        |                |   |       |            |                                  |  |  |                    |                                |       |                                    |                 |                                    |            |                          |
| 5   | +25°C  | ≤3 Minutes      |                                   |                    |                                |       |                                    |            |                         |                |   |       |            |   |        |                |   |       |            |                                  |  |  |                    |                                |       |                                    |                 |                                    |            |                          |
| 1 to 5 = 1 cycle, Total 5 cycles              |  |                 |                                   |                    |                                |       |                                    |            |                         |                |   |       |            |   |        |                |   |       |            |                                  |  |  |                    |                                |       |                                    |                 |                                    |            |                          |
| Capacitance Change                            | Within ± 10% of initial value.   |                 |                                   |                    |                                |       |                                    |            |                         |                |   |       |            |   |        |                |   |       |            |                                  |  |  |                    |                                |       |                                    |                 |                                    |            |                          |
| tan δ   | Not more than the specified value.   |                 |                                   |                    |                                |       |                                    |            |                         |                |   |       |            |   |        |                |   |       |            |                                  |  |  |                    |                                |       |                                    |                 |                                    |            |                          |
| Leakage current                               | Not more than the specified value.   |                 |                                   |                    |                                |       |                                    |            |                         |                |   |       |            |   |        |                |   |       |            |                                  |  |  |                    |                                |       |                                    |                 |                                    |            |                          |
| Appearance                                    | No broken and undamaged.   |                 |                                   |                    |                                |       |                                    |            |                         |                |   |       |            |   |        |                |   |       |            |                                  |  |  |                    |                                |       |                                    |                 |                                    |            |                          |
| Low Temperature Test                          | <p>&lt;Condition&gt;<br/>           Capacitors are placed at -55 ± 3°C for 96 ± 4 hours. And then the capacitor shall be subjected to standard atmospheric conditions for 4 hours, after which measurements shall be made.</p> <p>&lt;Criteria&gt;</p> <table border="1" style="width: 100%; border-collapse: collapse; margin: 10px 0;"> <tbody> <tr> <td style="width: 50%;">Leakage current</td> <td>Not more than the specified value</td> </tr> <tr> <td>Capacitance Change</td> <td>Within ± 10% of initial value.</td> </tr> <tr> <td>tan δ</td> <td>Not more than the specified value.</td> </tr> <tr> <td>Appearance</td> <td>No broken and undamaged</td> </tr> </tbody> </table>  | Leakage current | Not more than the specified value | Capacitance Change | Within ± 10% of initial value. | tan δ | Not more than the specified value. | Appearance | No broken and undamaged |                |   |       |            |   |        |                |   |       |            |                                  |  |  |                    |                                |       |                                    |                 |                                    |            |                          |
| Leakage current                               | Not more than the specified value  |                 |                                   |                    |                                |       |                                    |            |                         |                |   |       |            |   |        |                |   |       |            |                                  |  |  |                    |                                |       |                                    |                 |                                    |            |                          |
| Capacitance Change                            | Within ± 10% of initial value.   |                 |                                   |                    |                                |       |                                    |            |                         |                |   |       |            |   |        |                |   |       |            |                                  |  |  |                    |                                |       |                                    |                 |                                    |            |                          |
| tan δ   | Not more than the specified value.   |                 |                                   |                    |                                |       |                                    |            |                         |                |   |       |            |   |        |                |   |       |            |                                  |  |  |                    |                                |       |                                    |                 |                                    |            |                          |
| Appearance                                    | No broken and undamaged  |                 |                                   |                    |                                |       |                                    |            |                         |                |   |       |            |   |        |                |   |       |            |                                  |  |  |                    |                                |       |                                    |                 |                                    |            |                          |

| ITEM                               | PERFORMANCE   |               |                |              |   |
|------------------------------------|---|---------------|----------------|--------------|---|
| Vent Test<br>IEC-60384-4 4.16      | <p>&lt;Condition&gt;</p> <p>The following test only apply to those products with vent products at diameter <math>\geq \varnothing 8</math> with vent.</p> <p>D.C. test</p> <p>The capacitor is connected with its polarity reversed to a DC power source. Then a current selected from following table is applied.</p> <table border="1" style="margin: 10px auto; border-collapse: collapse;"> <thead> <tr> <th style="width: 50%;">Diameter (mm)</th> <th style="width: 50%;">DC Current (A)</th> </tr> </thead> <tbody> <tr> <td style="text-align: center;">22.4 or less</td> <td style="text-align: center;">1</td> </tr> </tbody> </table> <p>&lt;Criteria&gt;</p> <p>No emission of gas after 30 minutes of the voltage application also meets the specification. The vent shall operate with no dangerous conditions such as flames or dispersion of pieces of the capacitor and/or case.</p> | Diameter (mm) | DC Current (A) | 22.4 or less | 1 |
| Diameter (mm)                      | DC Current (A)  |               |                |              |   |
| 22.4 or less                       | 1   |               |                |              |   |
| Mechanical<br>Characteristics Test | <p>&lt;Condition&gt;</p> <p>Bending Test: Apply pressure in the direction of the arrow at a rate of about 0.5 mm/s until bent width reaches 2 mm and hold for 60s. The board shall be the test board "B" as specified in JIS C 0051: 2002. If the land area differs, it shall be specified clearly in the next item.</p> <div style="text-align: center; margin: 10px 0;">  </div> <p>&lt;Criteria&gt;</p> <p>Without mechanical damage such as breaks. Electrical characteristics shall be satisfied.</p> <p>If there are electrodes on both surfaces, above requirements shall be satisfied on whichever surface it may be fixated on.</p>  |               |                |              |   |

| ITEM   | PERFORMANCE        |                  |                |                      |
|--|--------------------|------------------|----------------|----------------------|
| Reflow Soldering<br><br>Temperature Profile  | Welding Method     | Reflow Soldering | Soldering Iron | Wave Soldering       |
|  | The feasibility of | ○<br>Feasible    | ○<br>Feasible  | ⊗<br>Is not workable |
| <p>Conditions for the use of lead-free reflow soldering.</p>   |                    |                  |                |                      |
| <p>1) Methods the following<br/>           Reflow soldering: please follow the temperature condition during welding. If high temperature is used, please measure and inform the capacitor temperature and reflow soldering condition. The product size is larger and its rising temperature is slower. It is not necessary to adjust the temperature of the reflow solder in accordance with the size of the product. For example, the products of 4 and 10 will be installed in the PCB over tin furnace.</p> <p>2) Precautions for soldering tin: Related factors of reflow soldering temperature:<br/>           Product size: The product size is larger and its temperature rises slowly.<br/>           Product installation position: The temperature of PCB center is lower than that of PCB</p> <p>3) Reflow soldering<br/>           If possible, avoid reflow soldering twice.<br/>           If repeated reflux is unavoidable, measure and inform the first and second reflux temperature, and the time of reflow soldering</p> <p>4) Please do not 3 times of reflow soldering<br/>           Please follow the following conditions when soldering tin soldering:<br/>           Soldering iron maximum temperature: <math>350 \pm 5^{\circ}\text{C}</math>;<br/>           Welding time: 3+1/-0S</p> |                    |                  |                |                      |

| ITEM  | PERFORMANCE   |                   |                                     |       |        |     |     |             |      |      |     |       |      |              |                     |        |        |       |        |            |   |         |  |  |  |  |                               |     |     |  |  |  |  |                     |                           |     |     |     |     |     |     |     |                               |    |    |    |    |    |    |    |                         |                           |     |     |  |     |     |  |     |                               |   |  |  |  |  |  |  |                   |   |    |  |  |  |  |  |  |
|---|---|-------------------|-------------------------------------|-------|--------|-----|-----|-------------|------|------|-----|-------|------|--------------|---------------------|--------|--------|-------|--------|------------|---|---------|--|--|--|--|-------------------------------|-----|-----|--|--|--|--|---------------------|---------------------------|-----|-----|-----|-----|-----|-----|-----|-------------------------------|----|----|----|----|----|----|----|-------------------------|---------------------------|-----|-----|--|-----|-----|--|-----|-------------------------------|---|--|--|--|--|--|--|-------------------|---|----|--|--|--|--|--|--|
| Reflow Soldering<br><br>Temperature Profile | <p>Test Method And Peak Temperature Permissible Range</p> <table border="1" style="width: 100%; border-collapse: collapse; margin-bottom: 10px;"> <thead> <tr> <th style="width: 30%;">Products category</th> <th colspan="5">SMD aluminum electrolytic capacitor</th> </tr> </thead> <tbody> <tr> <td>voltage (V)</td> <td>4-50</td> <td>4-50</td> <td>≥63</td> <td>4-100</td> <td>≥160</td> </tr> <tr> <td>Product size</td> <td>Φ4-6,<br/>3×4.5<br/>L</td> <td>Φ4-6.3</td> <td>Φ4-6.3</td> <td>Φ8-18</td> <td>≥Φ12.5</td> </tr> <tr> <td rowspan="2">Preheating</td> <td>TEM (T<sub>1</sub>-T<sub>2</sub>, °C)</td> <td colspan="5" style="text-align: center;">150-180</td> </tr> <tr> <td>Time (t<sub>1</sub>) Max, S</td> <td>120</td> <td colspan="5" style="text-align: center;">180</td> </tr> <tr> <td rowspan="2">The duration of the</td> <td>TEM (T<sub>3</sub>, °C)</td> <td>230</td> <td>217</td> <td>230</td> <td>217</td> <td>217</td> <td>230</td> <td>217</td> </tr> <tr> <td>Time (t<sub>2</sub>) Max, S</td> <td>30</td> <td>90</td> <td>60</td> <td>60</td> <td>60</td> <td>40</td> <td>60</td> </tr> <tr> <td rowspan="2">The highest temperature</td> <td>TEM (T<sub>4</sub>, °C)</td> <td>250</td> <td colspan="2" style="text-align: center;">260</td> <td>250</td> <td colspan="2" style="text-align: center;">250</td> <td>240</td> </tr> <tr> <td>Time (t<sub>3</sub>) Max, S</td> <td colspan="7" style="text-align: center;">5</td> </tr> <tr> <td>Return the number</td> <td>1</td> <td colspan="7" style="text-align: center;">≤2</td> </tr> </tbody> </table> <ul style="list-style-type: none"> <li>Please contact us if the conditions of use are higher than those listed above.</li> <li>When performing second reflow soldering, please make sure the temperature of capacitor has cooled to 5 ~ 35 °C.</li> <li>If the reflow condition is based on IPC/JEDEC(J-STD-020), please contact us.</li> </ul> <p>OP-CAP Precautions:</p> <ul style="list-style-type: none"> <li>Reflow soldering will reduce the rated electrostatic capacity of the product, and it should be confirmed whether reflow soldering condition meets the specification of recommended reflow soldering.</li> <li>Although the actual reflow condition change is still based on the reflow soldering method, please note that the highest temperature and the electrode terminal at the bottom of the aluminum shell must not exceed the maximum temperature.</li> <li>OP-CAP products during the process of reflow heating temperature should increase to more than 200 °C</li> <li>If the reflow condition temperature or duration is greater than the above table, the OP-CAP product will be damaged. The electrostatic capacity of the product is reduced by about 50%, the leakage current is large (up to mA), and the outside of the capacitor is damaged.</li> </ul> <p>Recommended Land Size (see page 5)</p> | Products category | SMD aluminum electrolytic capacitor |       |        |     |     | voltage (V) | 4-50 | 4-50 | ≥63 | 4-100 | ≥160 | Product size | Φ4-6,<br>3×4.5<br>L | Φ4-6.3 | Φ4-6.3 | Φ8-18 | ≥Φ12.5 | Preheating | TEM (T <sub>1</sub> -T <sub>2</sub> , °C) | 150-180 |  |  |  |  | Time (t <sub>1</sub> ) Max, S | 120 | 180 |  |  |  |  | The duration of the | TEM (T <sub>3</sub> , °C) | 230 | 217 | 230 | 217 | 217 | 230 | 217 | Time (t <sub>2</sub> ) Max, S | 30 | 90 | 60 | 60 | 60 | 40 | 60 | The highest temperature | TEM (T <sub>4</sub> , °C) | 250 | 260 |  | 250 | 250 |  | 240 | Time (t <sub>3</sub> ) Max, S | 5 |  |  |  |  |  |  | Return the number | 1 | ≤2 |  |  |  |  |  |  |
| Products category                           | SMD aluminum electrolytic capacitor   |                   |                                     |       |        |     |     |             |      |      |     |       |      |              |                     |        |        |       |        |            |   |         |  |  |  |  |                               |     |     |  |  |  |  |                     |                           |     |     |     |     |     |     |     |                               |    |    |    |    |    |    |    |                         |                           |     |     |  |     |     |  |     |                               |   |  |  |  |  |  |  |                   |   |    |  |  |  |  |  |  |
| voltage (V)                                 | 4-50  | 4-50              | ≥63                                 | 4-100 | ≥160   |     |     |             |      |      |     |       |      |              |                     |        |        |       |        |            |   |         |  |  |  |  |                               |     |     |  |  |  |  |                     |                           |     |     |     |     |     |     |     |                               |    |    |    |    |    |    |    |                         |                           |     |     |  |     |     |  |     |                               |   |  |  |  |  |  |  |                   |   |    |  |  |  |  |  |  |
| Product size                                | Φ4-6,<br>3×4.5<br>L   | Φ4-6.3            | Φ4-6.3                              | Φ8-18 | ≥Φ12.5 |     |     |             |      |      |     |       |      |              |                     |        |        |       |        |            |   |         |  |  |  |  |                               |     |     |  |  |  |  |                     |                           |     |     |     |     |     |     |     |                               |    |    |    |    |    |    |    |                         |                           |     |     |  |     |     |  |     |                               |   |  |  |  |  |  |  |                   |   |    |  |  |  |  |  |  |
| Preheating                                  | TEM (T <sub>1</sub> -T <sub>2</sub> , °C)   | 150-180           |                                     |       |        |     |     |             |      |      |     |       |      |              |                     |        |        |       |        |            |   |         |  |  |  |  |                               |     |     |  |  |  |  |                     |                           |     |     |     |     |     |     |     |                               |    |    |    |    |    |    |    |                         |                           |     |     |  |     |     |  |     |                               |   |  |  |  |  |  |  |                   |   |    |  |  |  |  |  |  |
|   | Time (t <sub>1</sub> ) Max, S   | 120               | 180                                 |       |        |     |     |             |      |      |     |       |      |              |                     |        |        |       |        |            |   |         |  |  |  |  |                               |     |     |  |  |  |  |                     |                           |     |     |     |     |     |     |     |                               |    |    |    |    |    |    |    |                         |                           |     |     |  |     |     |  |     |                               |   |  |  |  |  |  |  |                   |   |    |  |  |  |  |  |  |
| The duration of the                         | TEM (T <sub>3</sub> , °C)   | 230               | 217                                 | 230   | 217    | 217 | 230 | 217         |      |      |     |       |      |              |                     |        |        |       |        |            |   |         |  |  |  |  |                               |     |     |  |  |  |  |                     |                           |     |     |     |     |     |     |     |                               |    |    |    |    |    |    |    |                         |                           |     |     |  |     |     |  |     |                               |   |  |  |  |  |  |  |                   |   |    |  |  |  |  |  |  |
|   | Time (t <sub>2</sub> ) Max, S   | 30                | 90                                  | 60    | 60     | 60  | 40  | 60          |      |      |     |       |      |              |                     |        |        |       |        |            |   |         |  |  |  |  |                               |     |     |  |  |  |  |                     |                           |     |     |     |     |     |     |     |                               |    |    |    |    |    |    |    |                         |                           |     |     |  |     |     |  |     |                               |   |  |  |  |  |  |  |                   |   |    |  |  |  |  |  |  |
| The highest temperature                     | TEM (T <sub>4</sub> , °C)   | 250               | 260                                 |       | 250    | 250 |     | 240         |      |      |     |       |      |              |                     |        |        |       |        |            |   |         |  |  |  |  |                               |     |     |  |  |  |  |                     |                           |     |     |     |     |     |     |     |                               |    |    |    |    |    |    |    |                         |                           |     |     |  |     |     |  |     |                               |   |  |  |  |  |  |  |                   |   |    |  |  |  |  |  |  |
|   | Time (t <sub>3</sub> ) Max, S   | 5                 |                                     |       |        |     |     |             |      |      |     |       |      |              |                     |        |        |       |        |            |   |         |  |  |  |  |                               |     |     |  |  |  |  |                     |                           |     |     |     |     |     |     |     |                               |    |    |    |    |    |    |    |                         |                           |     |     |  |     |     |  |     |                               |   |  |  |  |  |  |  |                   |   |    |  |  |  |  |  |  |
| Return the number                           | 1   | ≤2                |                                     |       |        |     |     |             |      |      |     |       |      |              |                     |        |        |       |        |            |   |         |  |  |  |  |                               |     |     |  |  |  |  |                     |                           |     |     |     |     |     |     |     |                               |    |    |    |    |    |    |    |                         |                           |     |     |  |     |     |  |     |                               |   |  |  |  |  |  |  |                   |   |    |  |  |  |  |  |  |

## APPLICATION GUIDELINE

### CIRCUIT DESIGN

1) Please make sure the environmental and mounting conditions to which the capacitor will be exposed are within the conditions specified in catalogue.

2) Operating temperature and applied ripple shall be within specification.

3) Appropriate capacitors which comply with the life requirement of the products should be selected when designing the circuit.

4) Aluminum electrolytic capacitors are polar. Make sure that no reverse voltage or AC voltage is applied to the capacitors. Please use bi-polar capacitors for a circuit that can possibly see reversed polarity.

Note: Even bi-polar capacitors cannot be used for AC voltage application.

5) Do not use aluminum electrolytic capacitors in a circuit that requires rapid and very frequent charge/ discharge. In this type of circuit, it is necessary to use a special design capacitor with extended life characteristics.

6) Do not apply excess voltage.

(1) Please pay attention to that the peak voltage, which is DC voltage overlapped by ripple current, will not exceed the rated voltage.

(2) In the case where more than 2 aluminum electrolytic capacitors are used in series, please make sure that applied voltage will be lower than rated voltage and the voltage will be applied to each capacitor equally by using a balancing resistor in parallel with the capacitor.

7) Aluminum electrolytic capacitors shall not be used under the following environmental conditions:

(1) (a) Capacitors will be exposed to water (including condensation), brine or oil. (b) Ambient conditions that include toxic gases such as hydrogen sulfide, sulfurous acid, nitrous acid, chlorine, bromine, methyl bromide, ammonium, etc. (c) Ambient conditions that expose the capacitor to ozone, ultraviolet ray and radiation.

(2) Severe vibration and physical shock conditions that exceed specification.

Vibration test condition: 10-55-10Hz

Vibration frequency range : 10~55~10hz

Sweep rate : 10~55~10Hz/minute

Sweep method : logarithmic

Amplitude or acceleration : 1.5mm (max. Acceleration is 10G)

Direction of vibration : X, Y, Z direction

Testing time: 2 hours per each direction

Shock is not applicable normally.

If a particular condition is required, please contact our sales team.

8) The main chemical solution of the electrolyte and the separator paper used in the capacitors are combustible.

The electrolyte is conductive. When it comes in contact with the PC board, there is a possibility of pattern corrosion or short circuit between the circuit pattern, which could result in smoking or catching fire. Do not locate any circuit pattern beneath the capacitor end seal.

9) Do not design a circuit board that the heat generating components are placed near the aluminum electrolytic capacitor or on the reverse side of PC board, if that just under the capacitor.

10) Electrical characteristics may vary depending on changes in temperature and frequency. Please consider this variation when you design circuits.

11) When you install more than 2 capacitors in parallel, please consider the balance of current flowing into the capacitors.

12) While mounting capacitors on double-side PC board, the capacitors should be away from those unnecessary base plate holes and connection holes.

#### MOUNTING

1) Once a capacitor has been assembled in the set and power applied, do not attempt to re-use the capacitor in other circuits or application.

2) Leakage current of the capacitors that have been stored for more than 2 years may increase. When leakage current has increased, please perform a voltage treatment using a 1kΩ resistor.

3) Please confirm specifications and polarity before installing capacitors on the PC board.

4) Do not drop capacitors on the floor, nor use a capacitor that was dropped.

5) Do not deform the capacitor during installation.

6) Please pay attention to the mechanical shock to the capacitor by suction nozzle of the automatic insertion machine or automatic mounter, or by product checker, or by centering mechanism.

#### REFLOW SOLDERING

1) Please follow "Reflow Soldering Conditions" when use the part.

2) When an infrared heater is used, please pay attention to the extent of heating since the absorption rate of infrared will vary due to difference in the color and size of the capacitor.

3) Do not tilt lay down or twist the capacitor body after the capacitor are soldered to the PC board.

4) Do not carry the PC board by grasping the soldered capacitor.

5) Please do not allow anything to touch the capacitor after soldering. If PC boards are stored in stack, please make sure the PC board or other components away from the capacitor.

6) The capacitors shall not be effected by any radiated heat from the soldered PC board or other components after soldering.

7) Cleaning:

(a) Do not clean capacitors with halogenated cleaning agent. However, if it is necessary to clean with halogenated cleaning agent, please contact our sales team.

(b) Recommended cleaning method

Applicable : Any type, any ratings

Cleaning conditions: Total cleaning time shall be within 2 minutes by immersion, ultrasonic or other methods.

Temperature of the cleaning agents shall be 40°C or below. After cleaning, capacitors should be dried by using hot air for the minimum 10 minutes along with the PC board mounted. Hot air temperature should be within the maximum operating temperature of the capacitor. Insufficient dryness after water rinse may cause appearance problems, such as bottom-plate bulge and etc.;

Avoid using ozone destructive substances as cleaning agents for protecting global environment.

#### IN THE EQUIPMENT

1) Do not directly touch terminal by hand.

2) Do not link positive terminal and negative terminal by conductor, nor spill conductible liquid such as alkaline or acidic solution on or near the capacitor.

3) Please make sure that the ambient conditions where the set is installed are free from spilling water or oil, direct sunlight, ultraviolet rays, radiation, poisonous gases, vibration or mechanical shock.

#### MAINTENANCE AND INSPECTION

Please periodically inspect the aluminum capacitors that are installed in industrial equipment. The following items should be checked:

Appearance: remarkable abnormality such as pressure relief vent opening, electrolyte leaking, etc.

Electrical characteristics: capacitance, dielectric loss tangent, leakage current and etc., which are specified in catalogue or alternate product specification.

#### IN AN EMERGENCY

1) If you see smoke due to operation of safety vent, please turn off the main switch or pull out the plug from the outlet.

2) If you breathe the gas or ingest the electrolyte, please wash out your mouth and throat with water immediately.

3) If your skin is exposed to the electrolyte, please wash it away using soap and water.

#### STORAGE

1) Do not keep capacitor in high temperature and high humidity atmosphere. Storage conditions should be:

Temperature: 5°C~ 35°C Humidity : lower than 75% Place : Indoor

2) Avoid ambient conditions where capacitors are covered with water, brine or oil.

3) A storage products for longer than 12 months is not recommended. Within other effects, the terminals may suffer degradation, resulting in bad solderability. All products shall be used within the period of 12 months based on the day of shipment

#### DISPOSAL

Please take either of the following methods in disposing capacitors.

1) Incinerate them after crushing capacitors or making a hole on the capacitor body.

2) If incineration is not applicable, hand them over to a waste disposal agent and have them buried in landfills.



TAPE (Unit: mm), Applicable standard JIS C0806 and IEC 60286.

Fig. 1 (Ø4)

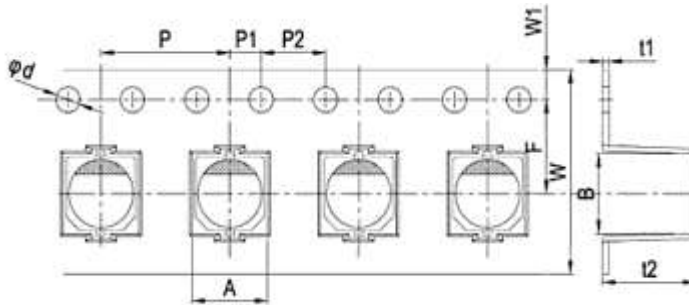
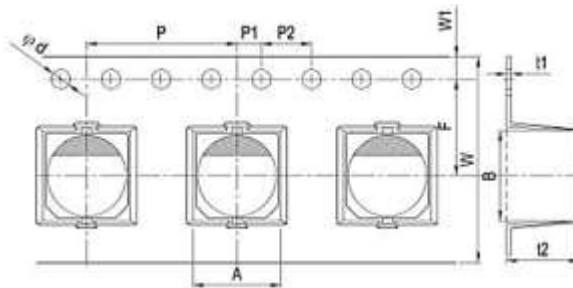


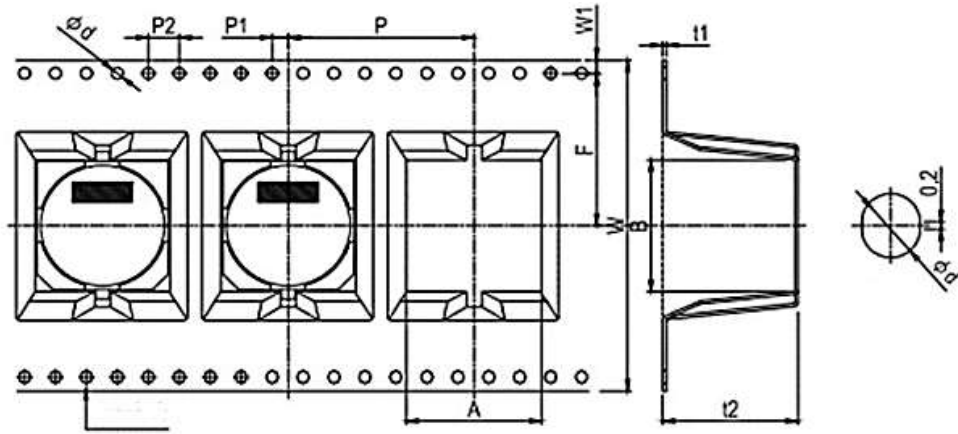
Fig. 2 (Ø5~Ø10)



| SIZE     | W  | P  | F    | A0   | B0   | t2   | Ød  | P1 | P2 | t1  | W1   | APPLICABLE |
|----------|----|----|------|------|------|------|-----|----|----|-----|------|------------|
| Ø4*5.7   | 12 | 8  | 5.5  | 4.7  | 4.7  | 5.8  | 1.5 | 2  | 4  | 0.4 | 1.75 | Fig.1      |
| Ø5*5.7   | 12 | 12 | 5.5  | 6.0  | 6.0  | 5.8  | 1.5 | 2  | 4  | 0.4 | 1.75 | Fig.2      |
| Ø6.3*5.7 | 16 | 12 | 7.5  | 7.0  | 7.0  | 5.8  | 1.5 | 2  | 4  | 0.4 | 1.75 | Fig.2      |
| Ø6.3*7.7 | 16 | 12 | 7.5  | 7.0  | 7.0  | 8.3  | 1.5 | 2  | 4  | 0.4 | 1.75 | Fig.2      |
| Ø8*6.5   | 16 | 12 | 7.5  | 8.7  | 8.7  | 6.8  | 1.5 | 2  | 4  | 0.4 | 1.75 | Fig.2      |
| Ø8*10.5  | 24 | 16 | 11.5 | 8.7  | 8.7  | 11.0 | 1.5 | 2  | 4  | 0.4 | 1.75 | Fig.2      |
| Ø8*12.5  | 24 | 16 | 11.5 | 8.7  | 8.7  | 13.0 | 1.5 | 2  | 4  | 0.4 | 1.75 | Fig.2      |
| Ø10*10.5 | 24 | 16 | 11.5 | 10.7 | 10.7 | 11.0 | 1.5 | 2  | 4  | 0.4 | 1.75 | Fig.2      |
| Ø10*12.5 | 24 | 16 | 11.5 | 10.7 | 10.7 | 13.0 | 1.5 | 2  | 4  | 0.4 | 1.75 | Fig.2      |
| Ø10*13.5 | 24 | 16 | 11.5 | 10.7 | 10.7 | 13.0 | 1.5 | 2  | 4  | 0.4 | 1.75 | Fig.2      |

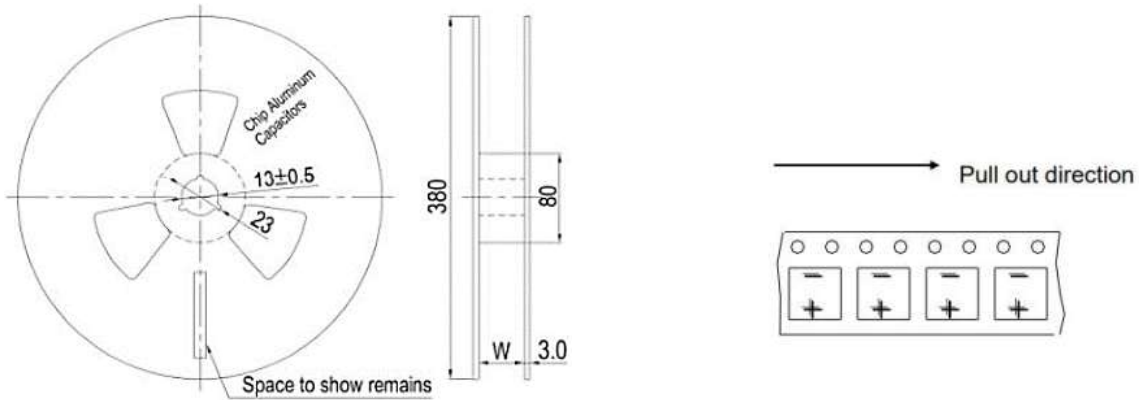
TAPE (Unit: mm), Applicable standard JIS C0806 and IEC 60286.

Fig. 3 (Ø12.5)



| SIZE       | W  | P  | F    | A    | B    | t2   | $\phi d$ | P1 | P2 | t1  | W1   | APPLICABLE |
|------------|----|----|------|------|------|------|----------|----|----|-----|------|------------|
| Ø12.5*13.5 | 32 | 24 | 14.2 | 13.4 | 13.4 | 14.5 | 1.5      | 2  | 4  | 0.5 | 1.75 | Fig.3      |

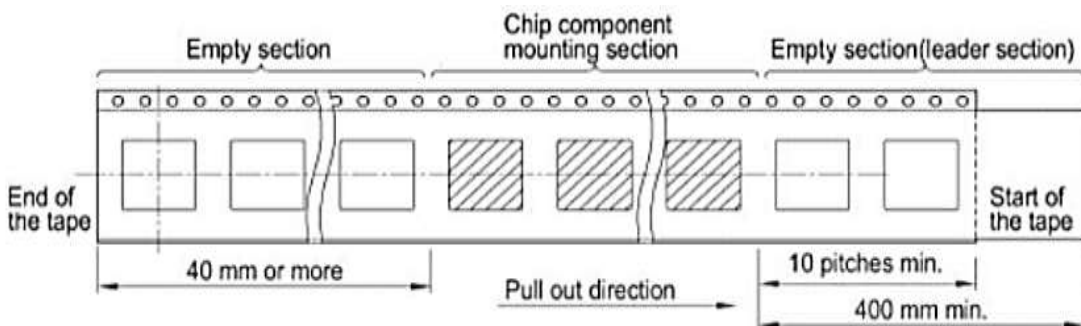
REEL (Unit: mm), Applicable standard JIS C0806 and IEC 60286.



| CASE SIZE      | Ø4   | Ø5   | Ø6.3 | Ø8x6.5 | Ø8x10.5 | Ø10 | Ø12.5 |
|----------------|------|------|------|--------|---------|-----|-------|
| W (mm)         | 14   | 14   | 18   | 18     | 26      | 26  | 34    |
| Qty/Reel (pcs) | 2000 | 1000 | 1000 | 500    | 500     | 500 | 200   |

### PACKING METHOD

- Polarity: Anode on the opposite side of the feed hole
- The leader length of the tape shall not be less than 400mm including 10 or more embossed sections in which no parts are contained.
- The winding core is provided with an over 40mm long empty section



## IMPORTANT NOTES AND DISCLAIMER

### *RoHS Compliance*

This product complies with EU RoHS Directive 2011/65/EU and its amendment (EU) 2015/863 (RoHS 3). Restricted substances are below applicable threshold limits or permitted under exemptions. RoHS documentation is available upon request.

### *REACH Compliance*

Information regarding Substances of Very High Concern (SVHCs) under REACH is available. As the European Chemicals Agency (ECHA) periodically updates the SVHC list, customers should obtain the latest information prior to use.

### *Product Performance*

All parametric performance data is specified under the electrical characteristics and corresponding test conditions provided herein, unless otherwise noted. Performance may vary if operated outside specified conditions.

### *Specifications and Changes*

NextGen Components, Inc. ("NextGen") reserves the right to modify this document and the products described herein at any time without prior notice. Customers are responsible for verifying the most current product information prior to final design, purchase, or use.

### *Cross-Reference*

Cross-reference information is provided for reference purposes only and does not imply direct equivalence, endorsement, or guaranteed interchangeability. Customers are solely responsible for verifying electrical, mechanical, and environmental suitability for their specific applications. *NextGen* assumes no liability arising from product substitution or application-specific use.

### *Warranty and Limitation of Liability*

*NextGen* makes no representation or warranty, express or implied, regarding suitability for any particular purpose. *NextGen* shall not be liable for any indirect, incidental, consequential, or special damages arising from product use. No license is granted under any intellectual property rights of *NextGen*.

### *Restricted Applications*

*NextGen* products are not authorized for use as critical components in life-support devices, medical systems, or other safety-critical applications without prior written approval.

### *Returns Policy*

Customers must obtain a Returned Merchandise Authorization (RMA) number before returning products. Returns must be requested within 30 days of invoice date and products must be unused and in original packaging. Products designated as Non-Cancelable / Non-Returnable (NCNR) are not eligible for return.